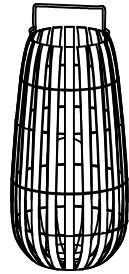
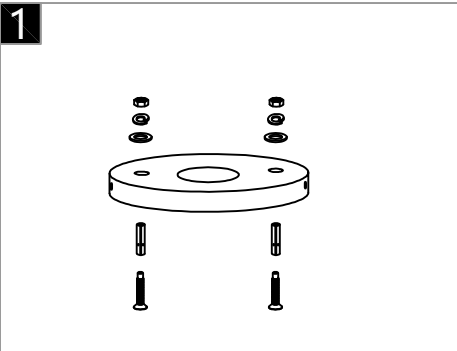


Warning:
 This product must be installed by personnel who are familiar with its structure and related hazards, in accordance with the installation specifications. This product is suitable for indoor installation.

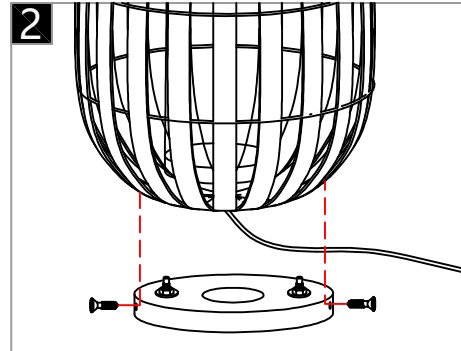


Product style diagram

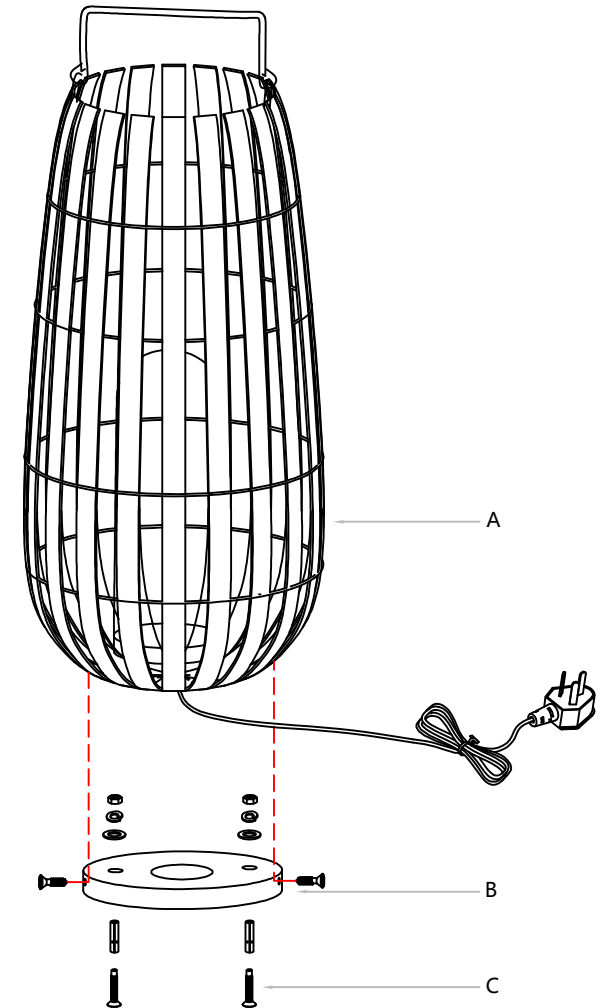
Steps of installation



First, position the expansion screws accurately over the holes on the installation plate and drive them into the ground. Then, attach the installation plate to the expansion screws and tighten the screws.



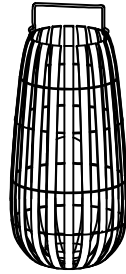
Finally, install the lamps onto the mounting plate, then align the holes, and then secure them with screws.



First, insert the expansion screws (C) into the holes of the mounting plate (B) and drive them into the ground. Then, attach the mounting plate (B) to the expansion screws (C). Next, tighten the screws. Finally, install the lamp (A) onto the mounting plate (B), align the holes, and secure them with screws.

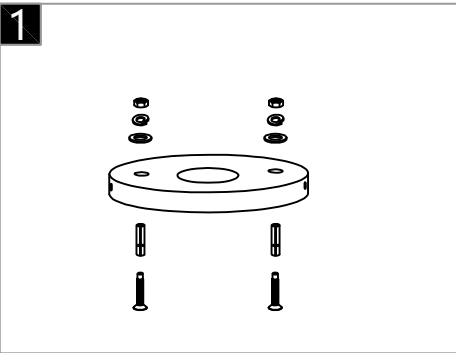
Warning:

This product must be installed by personnel who are familiar with its structure and related hazards, in accordance with the installation specifications. This product is suitable for indoor installation.

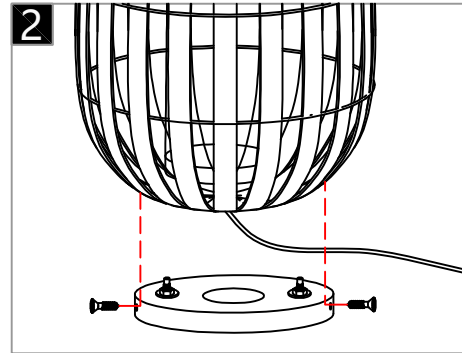


Product style diagram

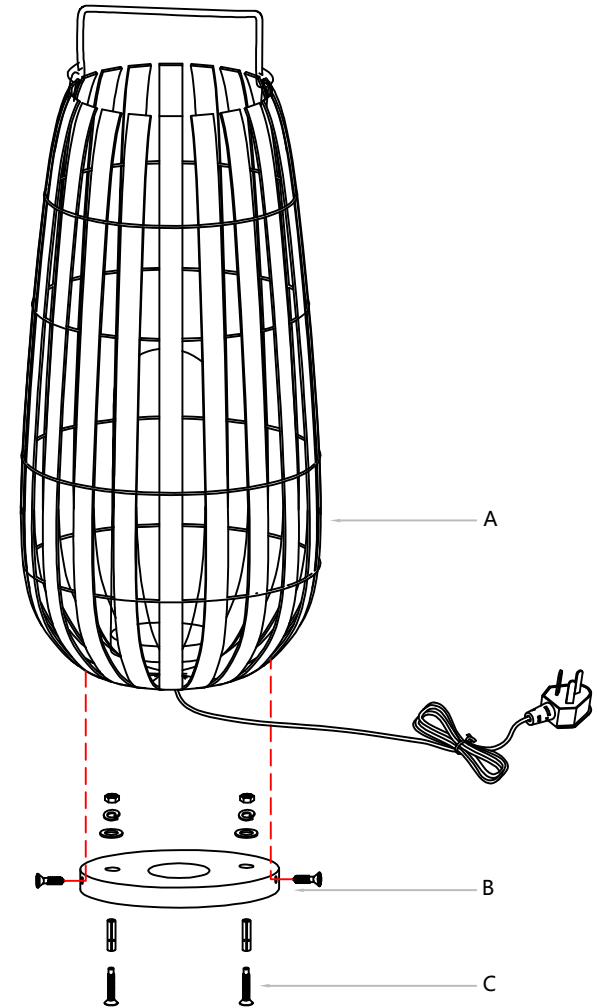
Steps of installation



First, position the expansion screws accurately over the holes on the installation plate and drive them into the ground. Then, attach the installation plate to the expansion screws and tighten the screws.

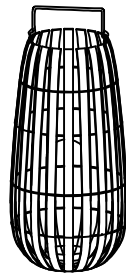


Finally, install the lamps onto the mounting plate, then align the holes, and then secure them with screws.



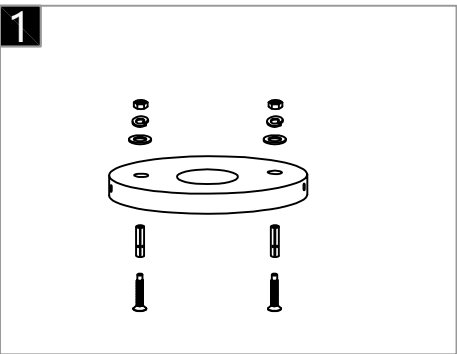
First, insert the expansion screws (C) into the holes of the mounting plate (B) and drive them into the ground. Then, attach the mounting plate (B) to the expansion screws (C). Next, tighten the screws. Finally, install the lamp (A) onto the mounting plate (B), align the holes, and secure them with screws.

Warning:
This product must be installed by personnel who are familiar with its structure and related hazards, in accordance with the installation specifications. This product is suitable for indoor installation.

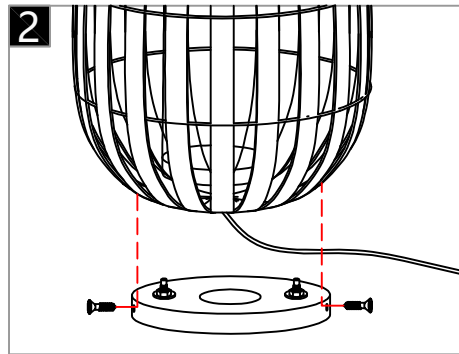


Product style diagram

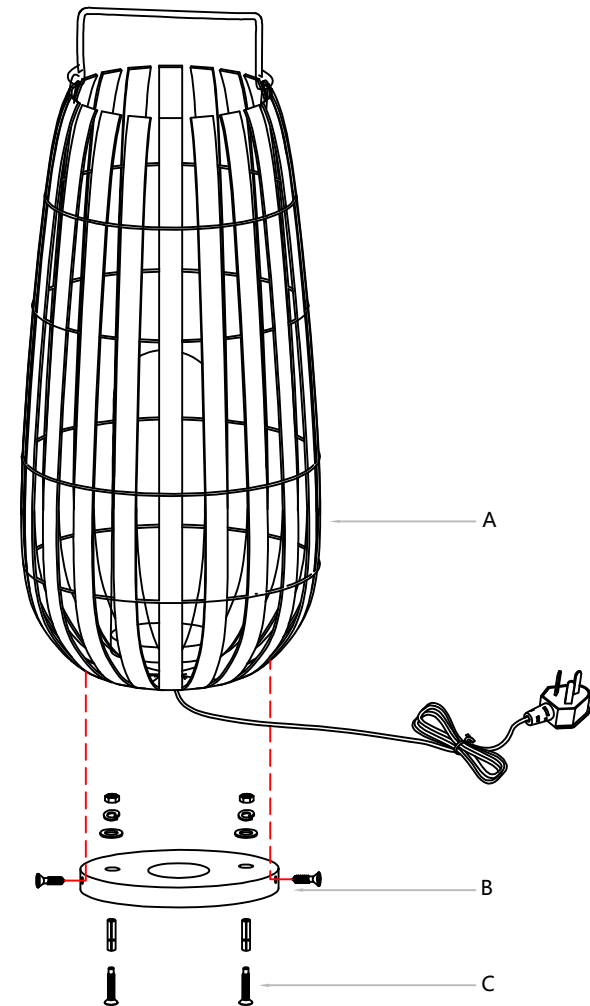
Steps of installation



1 First, position the expansion screws accurately over the holes on the installation plate and drive them into the ground. Then, attach the installation plate to the expansion screws and tighten the screws.



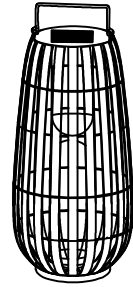
2 Finally, install the lamps onto the mounting plate, then align the holes, and then secure them with screws.



First, insert the expansion screws (C) into the holes of the mounting plate (B) and drive them into the ground. Then, attach the mounting plate (B) to the expansion screws (C). Next, tighten the screws. Finally, install the lamp (A) onto the mounting plate (B), align the holes, and secure them with screws.

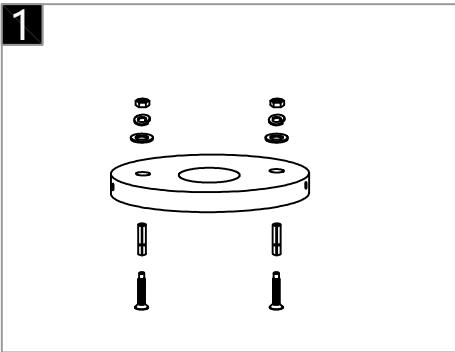
Warning:

This product must be installed by personnel who are familiar with its structure and related hazards, in accordance with the installation specifications. This product is suitable for indoor installation.

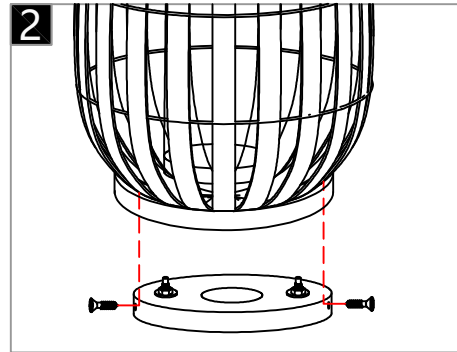


Product style diagram

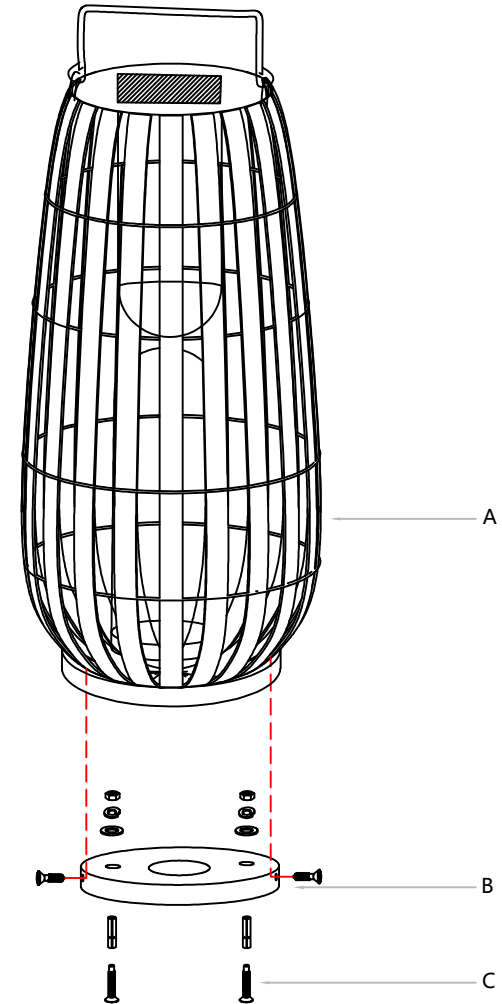
Steps of installation



First, position the expansion screws accurately over the holes on the installation plate and drive them into the ground. Then, attach the installation plate to the expansion screws and tighten the screws.

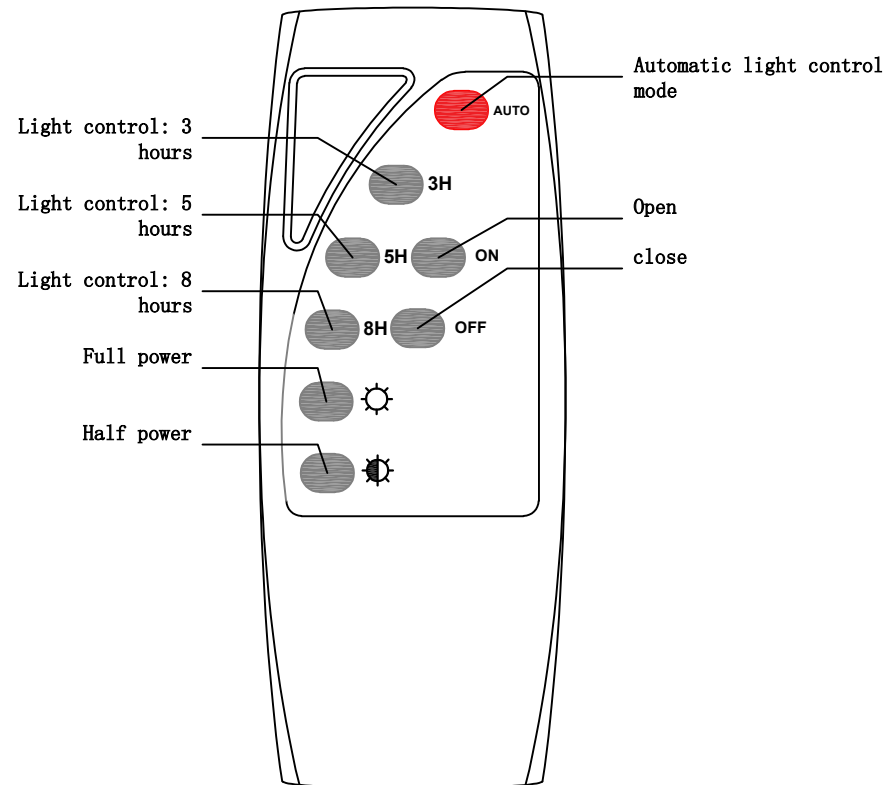


Finally, install the lamps onto the mounting plate, then align the holes, and then secure them with screws.



First, insert the expansion screws (C) into the holes of the mounting plate (B) and drive them into the ground. Then, attach the mounting plate (B) to the expansion screws (C). Next, tighten the screws. Finally, install the lamp (A) onto the mounting plate (B), align the holes, and secure them with screws.

Remote Control Function Instruction Manual



ON: The forced on button. Press it to force the light to turn on, regardless of day or night.

OFF: Press it to force the light to turn off.

AUTO: Press this button to enter the automatic light control mode. This button does not light up during the day, and enters the automatic power reduction mode at night. The power gradually decreases from 100% to 20% continuously for 6 hours, and then remains at 20% until dawn.

3H/5H/8H: These are the timer buttons. They respectively set the light control for 3 hours, 5 hours, and 8 hours.

☀️/☀️/⚡: 100% brightness / 50% brightness key. In any mode, the full brightness or half-brightness key maintains the original brightness or reduces it by half.