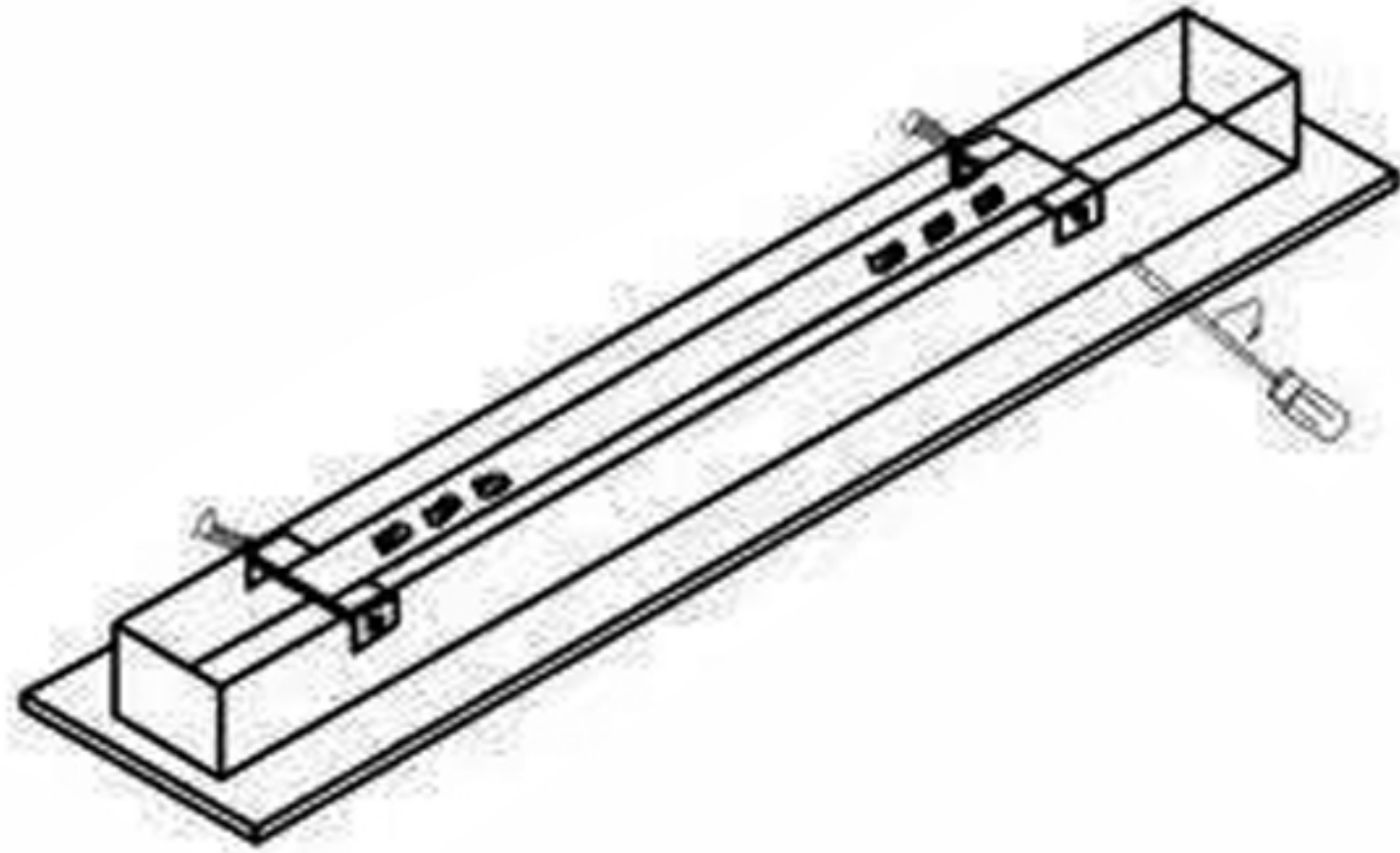


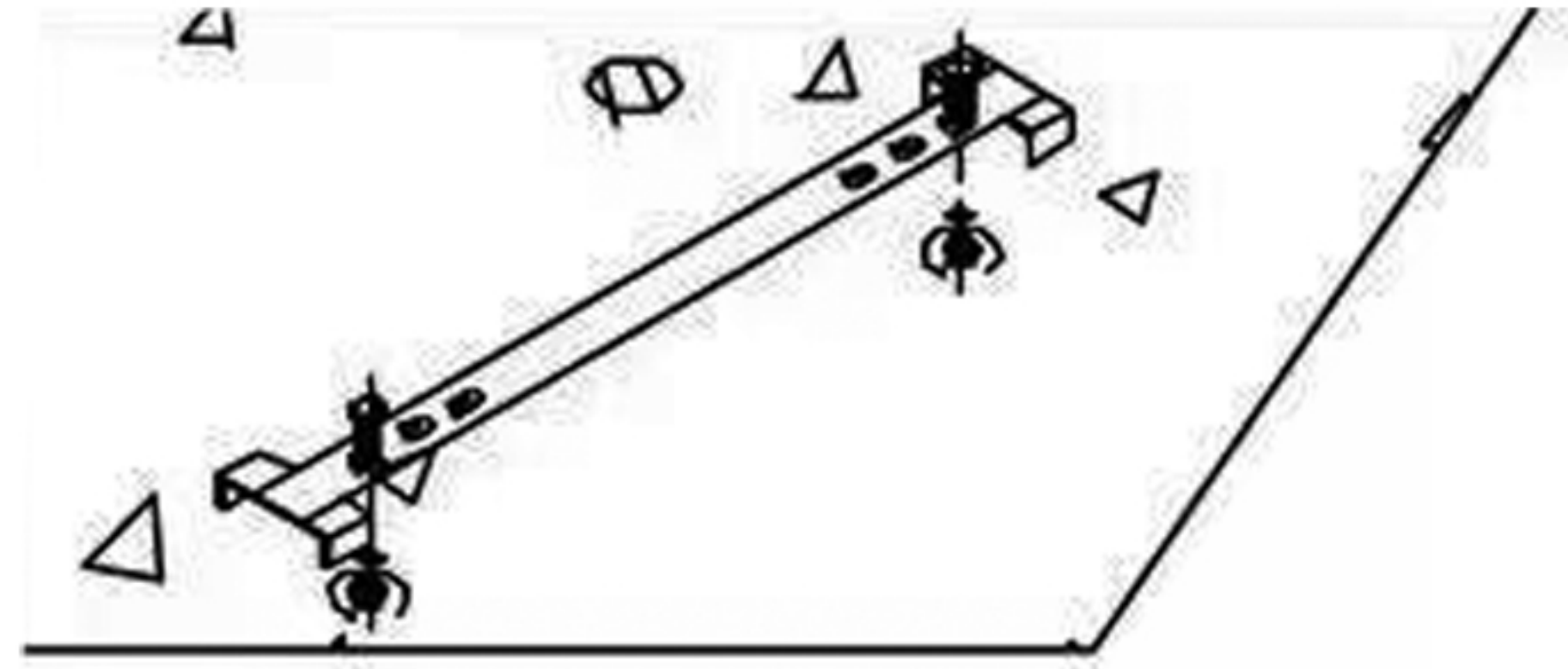
# INSTALLATION GUIDE - WM9001

1



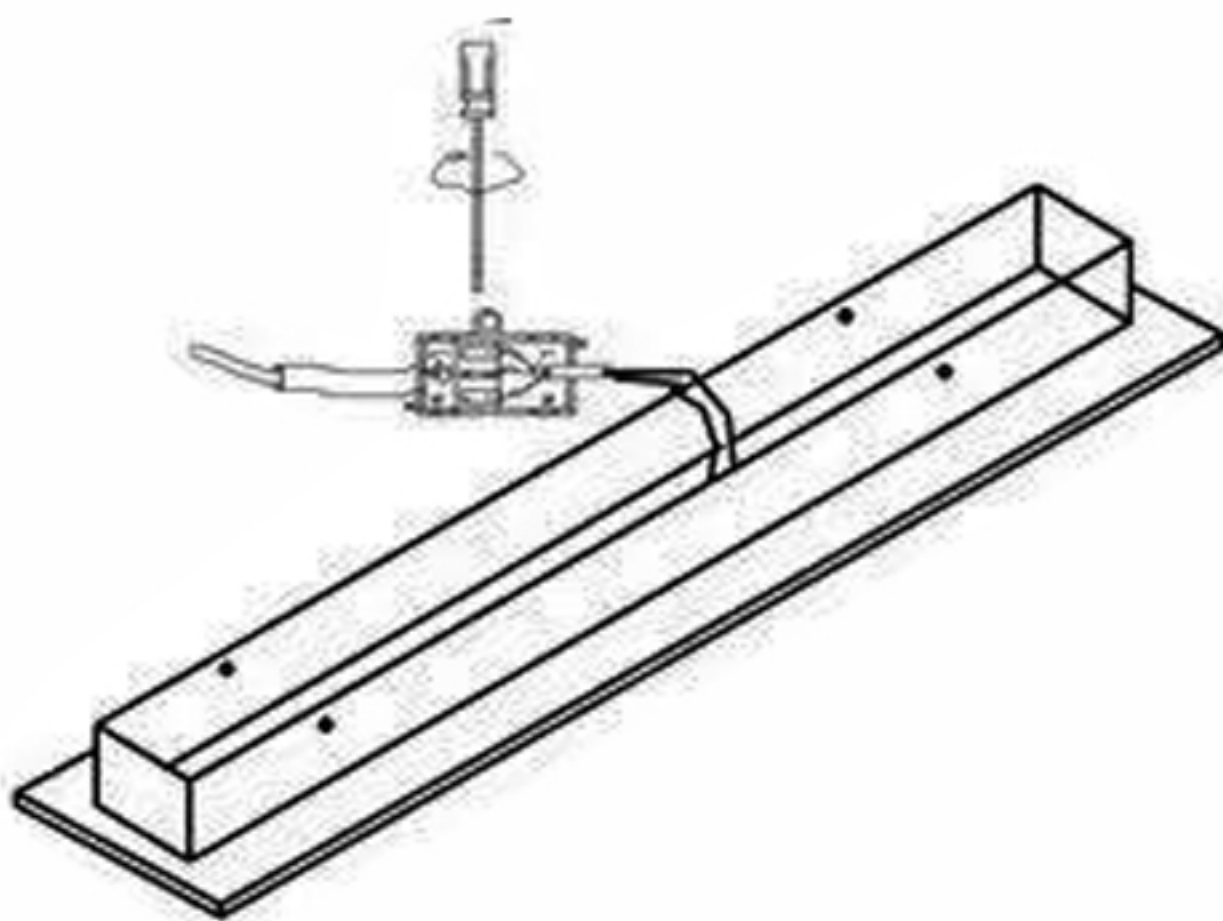
1. Detach the mounting bracket from the light through removing the screws.

2



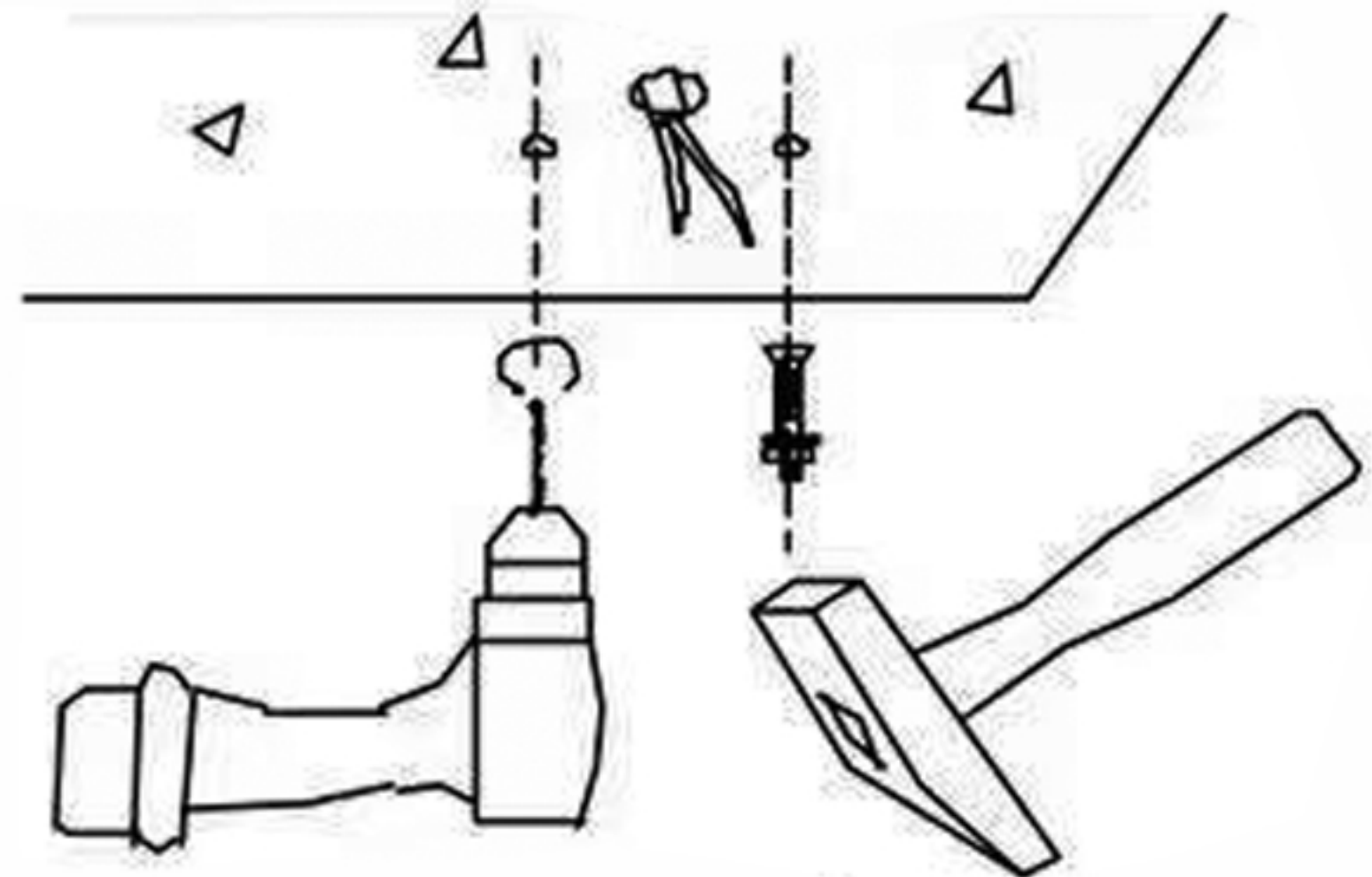
2. Use the wire connector to connect the wires of the light to the reserved wires according to labels on the wires led panel.

3



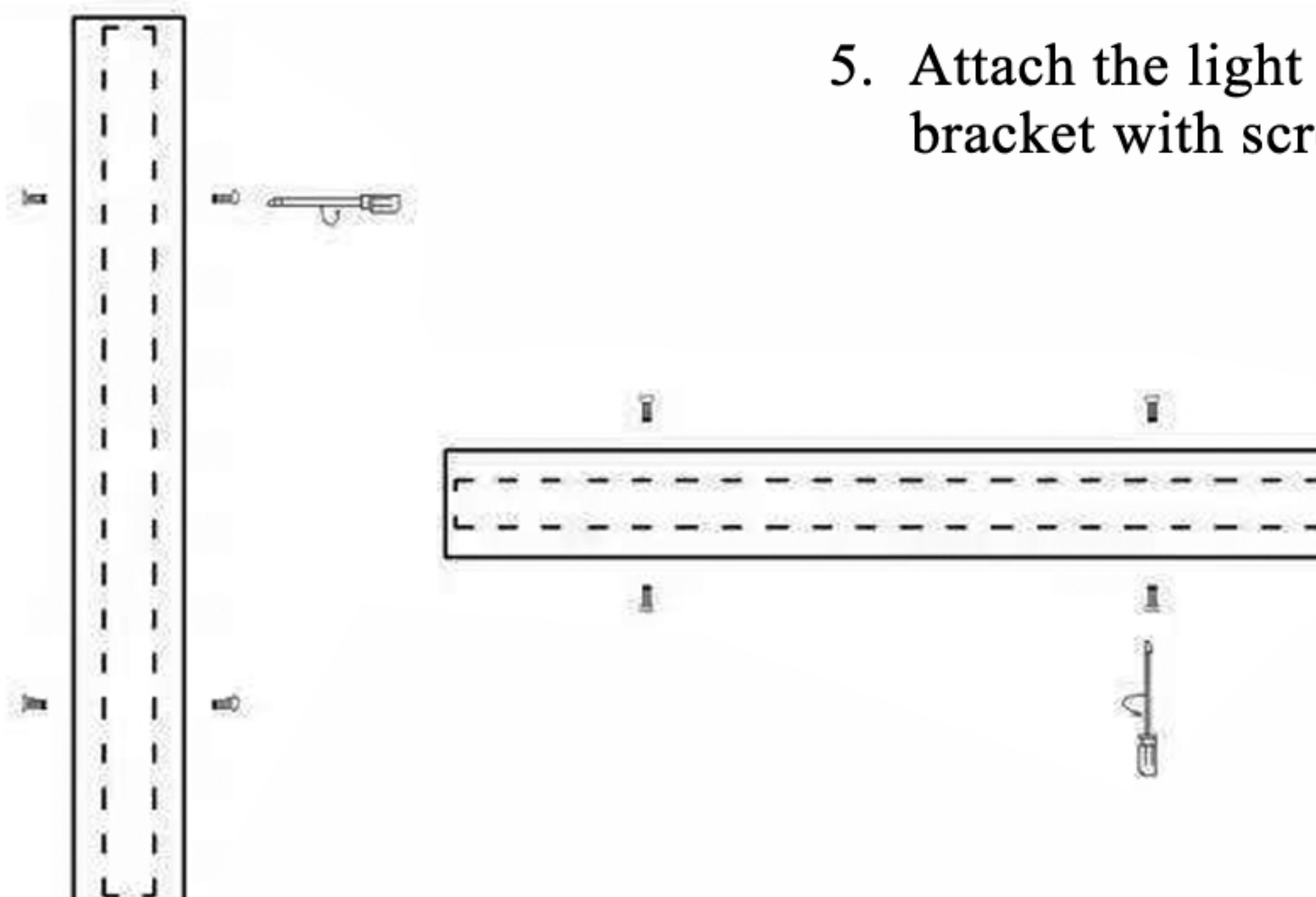
3. Drill on the wall and hammer expansion anchors into the wall.

4



4. Attach the mounting bracket onto the wall with screws.

5



5. Attach the light body to the mounting bracket with screws.