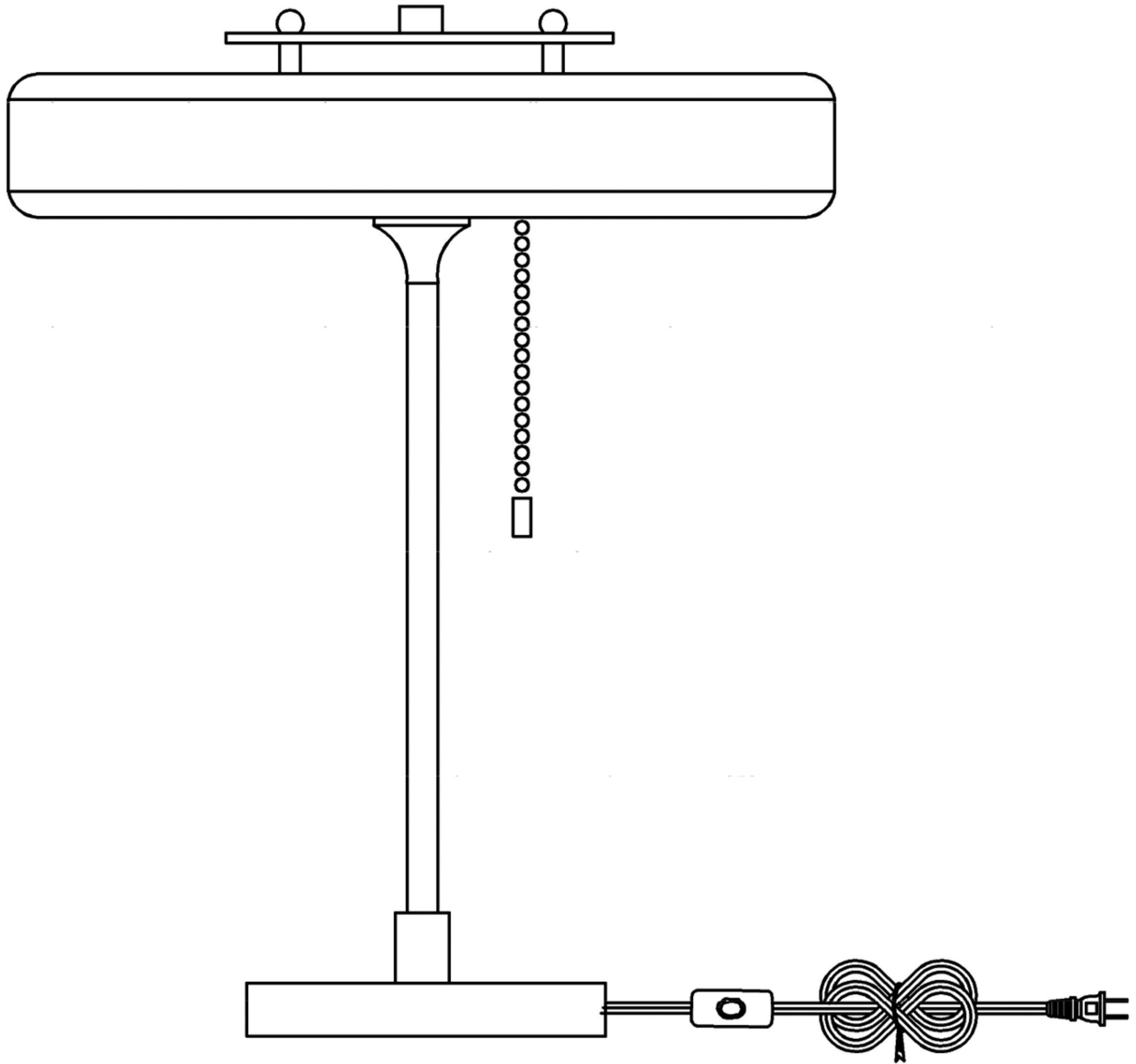


INSTALLATION GUIDE - WM8009



No assembly required!