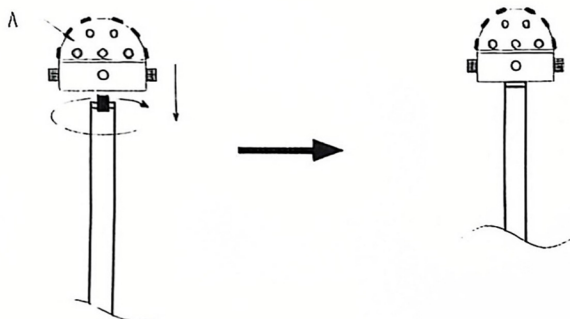
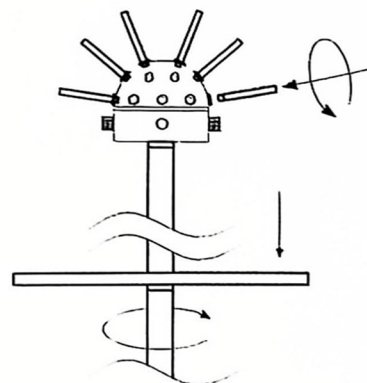


INSTALLATION GUIDE - WM7052

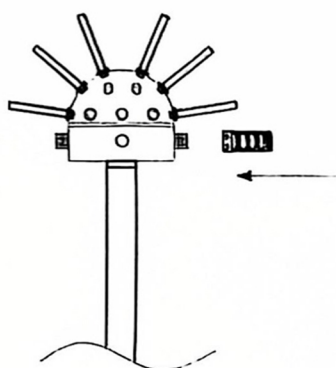
1



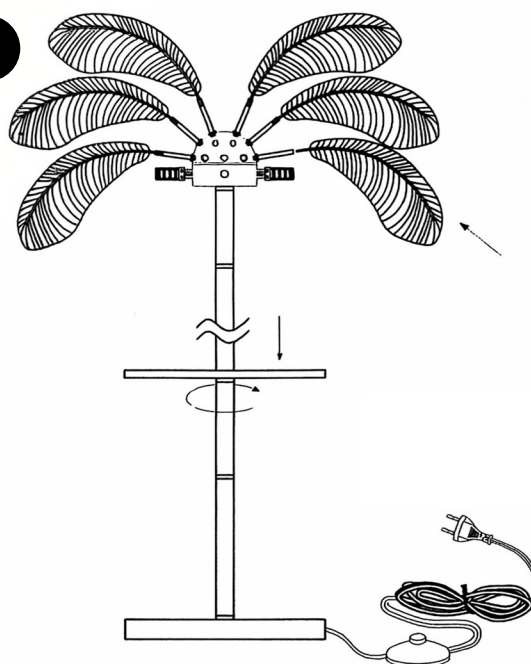
2



3



4



1. Screw the stem into the socket cluster.

2. Attach the root to the stem with screws.

3. Screw the included bulbs up into the sockets.

4. Turn the power back on and flip on the light switch to test your light.