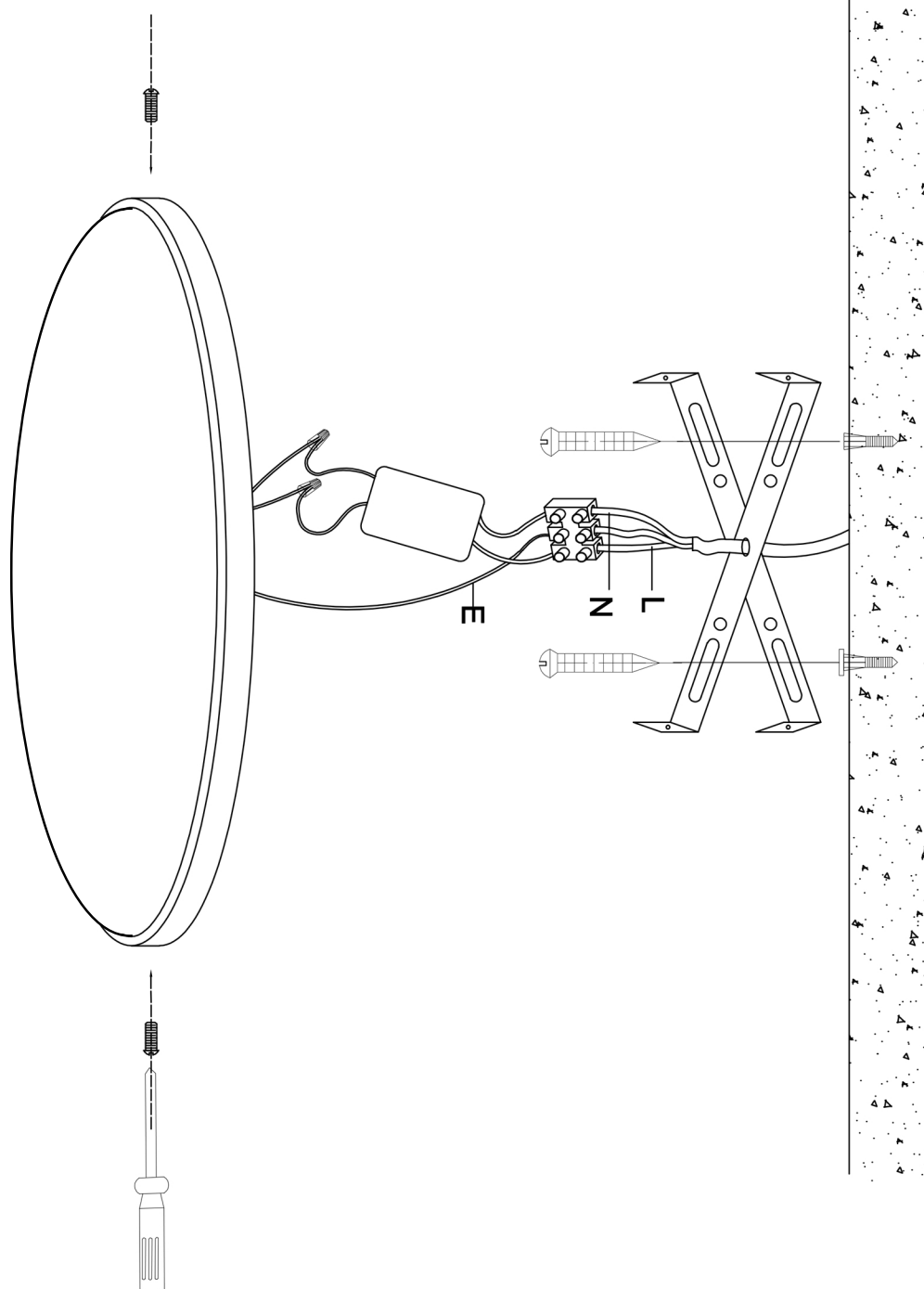


# INSTALLATION GUIDE - WM6102



- 1. Drill the mounting bracket into the wall with screws and wedge anchors (these come with the light).**
- 2. Use the wire connector to connect the wires of the light to the reserved wires according to labels on the wires.**
- 3. Align holes on the side of the light with the mounting bracket and secure the light with screws.**
- 4. Turn the power back on and flip on the light switch to test your light.**