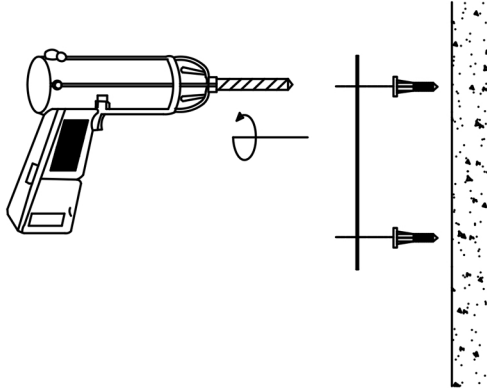
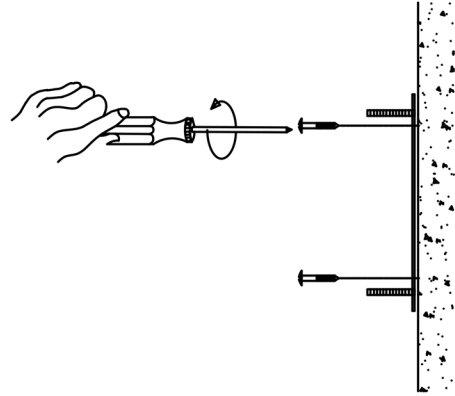


INSTALLATION GUIDE - WM6001

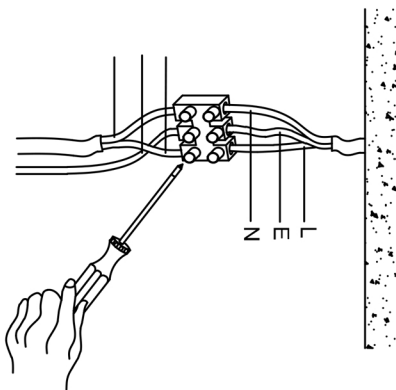
1. Locate, punch, and drill installation holes
Match and insert colloidal particles



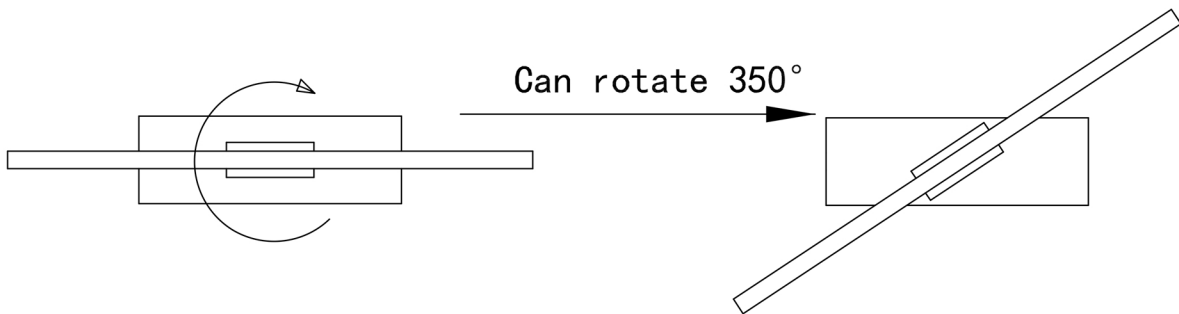
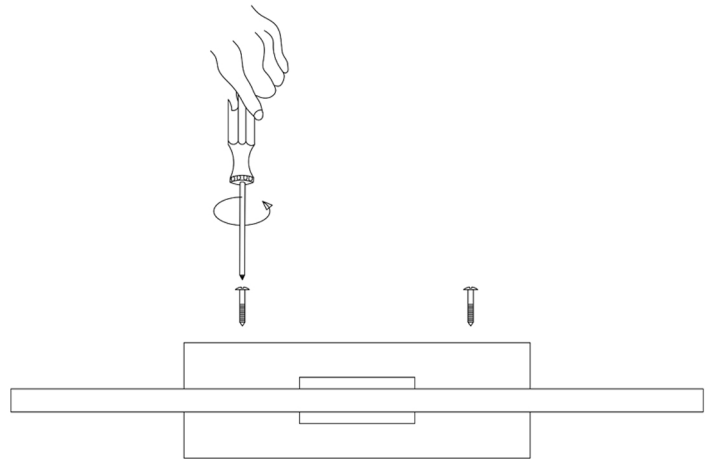
2. Secure the hanging board to the wall



3. Fix the power cord on terminal caps



4. Align the canopy holes with the mounting bracket and secure the canopy with screws



1 Ensure all the power is cut off before the installation, drilling according to the hole of installation structure and the centre distance, and insert the ceiling stopple

2 Please set the power wires separately to the L and N Pole of the terminal caps and earth wire and then to ensure all the connections are tight.

3 To fix up the lamp by bolt.

4 Fix up the lamps and lamp shade, the lamp can be used when you make switch to the position of ON.