

# CEILING FAN WITH LIGHTS INSTALLATION MANUAL



# SAFTY RULES

1. To reduce the risk of electric shock, insure electricity has been turned off at the circuit breaker or fuse box before beginning.
2. All wiring must be in accordance with the National Electrical Code and local electrical codes. Electrical installation should be performed by a qualified licensed electrician.
3. **WARNING:** To reduce the risk of electrical shock and fire, do not use this fan with any solid-state fan speed control device.
4. **WARNING:** To reduce the risk of fire, electric shock, or personal injury, mount to outlet box marked "Acceptable for Fan Support of 45kg (99.12 lbs.) Or Less" and use mounting screws provided with the outlet box. Most outlet boxes commonly used for the support of light fixtures are not acceptable for fan support and may need to be replaced. Due to the complexity of the installation of this fan, a qualified licensed electrician is strongly recommended.
5. The outlet box and support structure must be securely mounted and capable of reliably supporting a minimum of 45KGS. Use only UL Listed outlet boxes marked FOR FAN SUPPORT.
6. The fan must be mounted with a minimum of 7 feet clearance from the trailing edge of the blades to the floor.
7. Avoid placing objects in the path of the blades.
8. To avoid personal injury or damage to the fan and other items, be cautious when working around or cleaning the fan.
9. Do not use water or detergents when cleaning the fan or fan blades. A dry dust cloth or lightly dampened cloth will be suitable for most cleaning.
10. After making electrical connections, spliced conductors should be turned upward and pushed carefully up into the outlet box. The wires should be spread apart with the grounded conductor and the equipment-grounding conductor on one side of the outlet box.
11. Electrical diagrams are for reference only.
12. The fan is suitable for indoor use only.

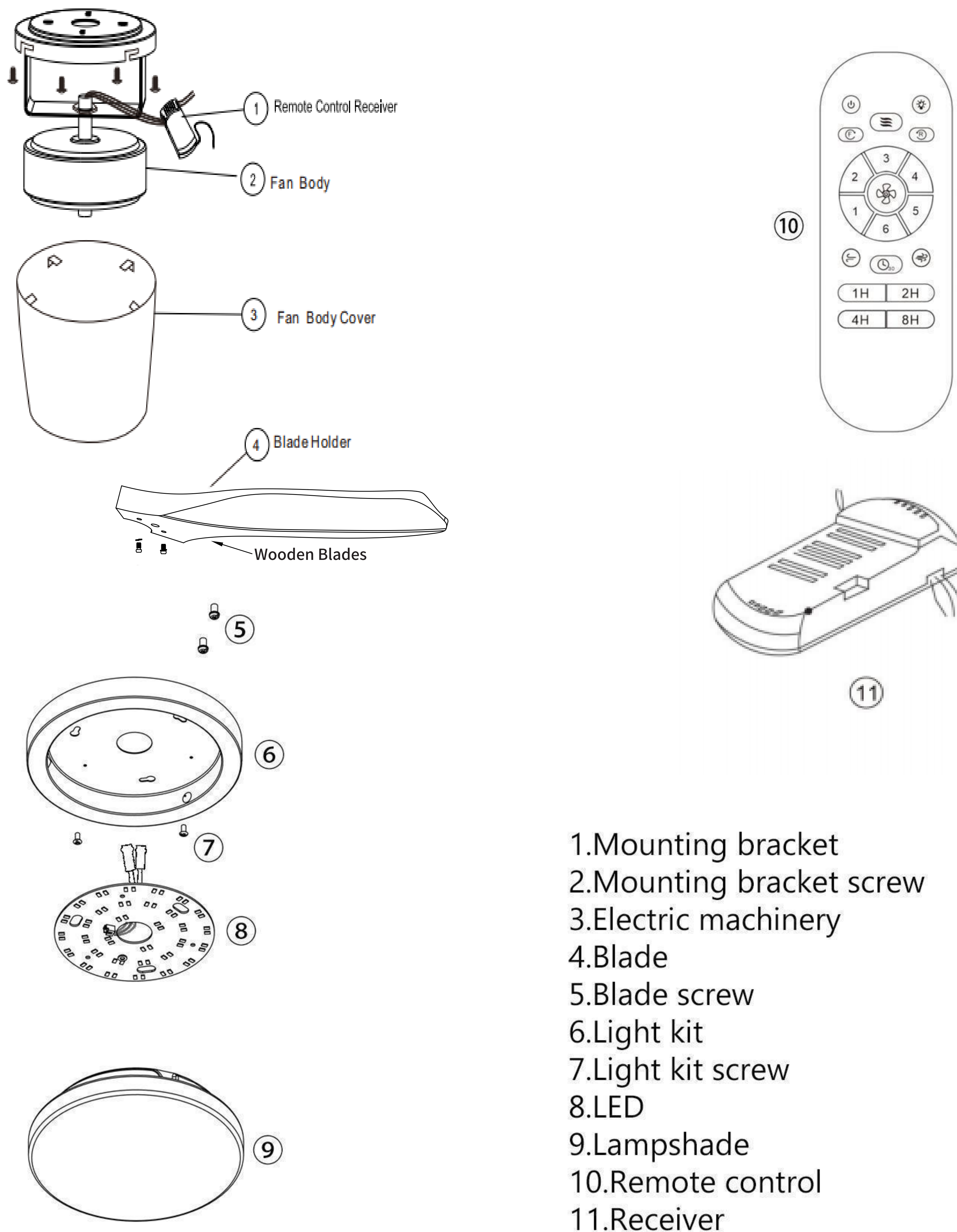
# TOOLS REQUIRED



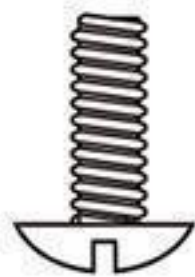






# BEFORE INSTALLATION

Unpack your fan and check the contents. You should have followings:



- 1. Mounting bracket
- 2. Mounting bracket screw
- 3. Electric machinery
- 4. Blade
- 5. Blade screw
- 6. Light kit
- 7. Light kit screw
- 8. LED
- 9. Lampshade
- 10. Remote control
- 11. Receiver

									
1/4*15 screw	6	Balance sticker	2	Explosion screw	4	Gasket	6	Self-tapping screws	4

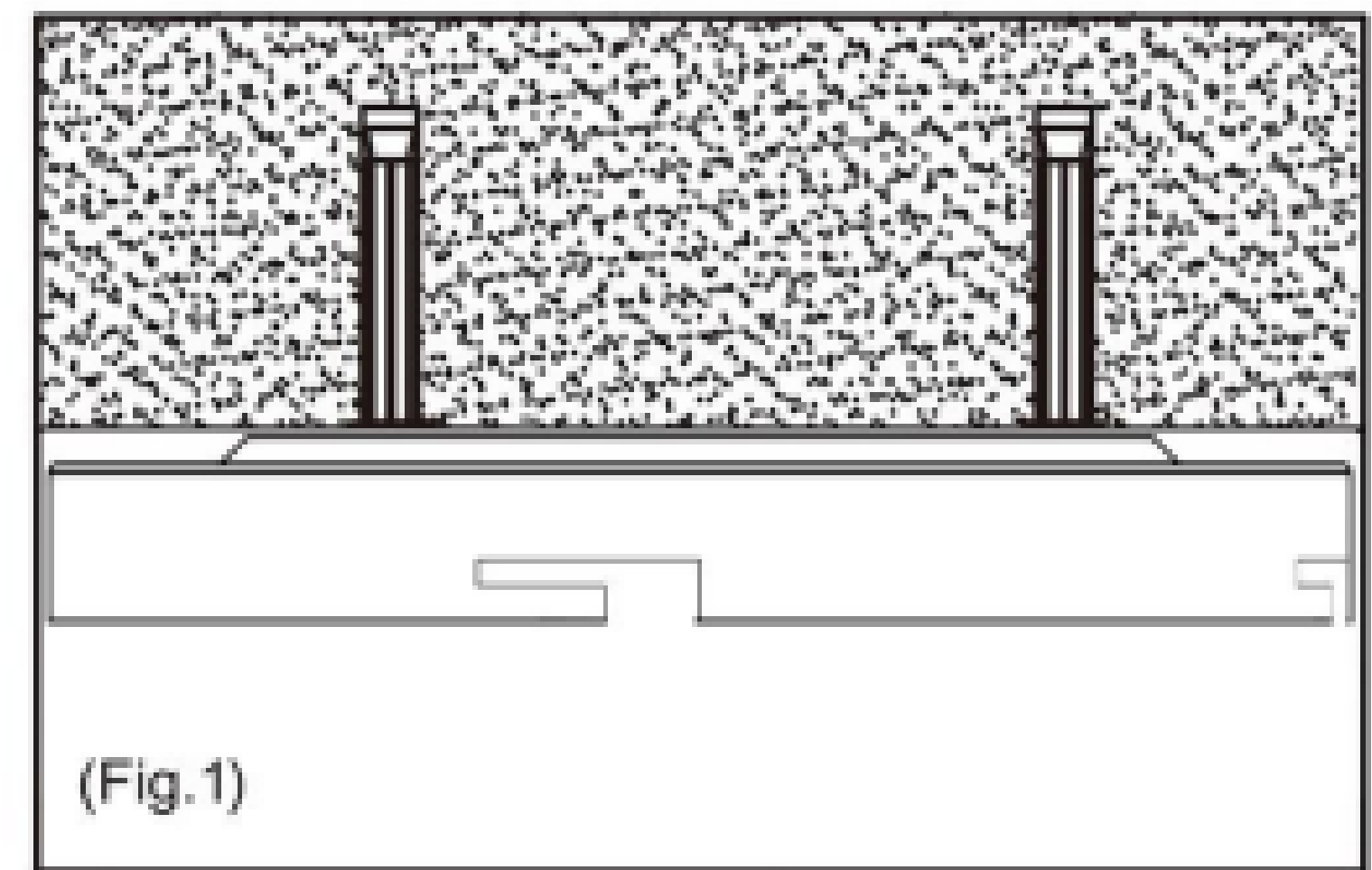
# INSTALL THE FAN

Tools Required: Phillips Screwdriver, Pair of Pliers, Straight slot screwdriver, Adjustable Wrench, Step Ladder and Wire Cutters.

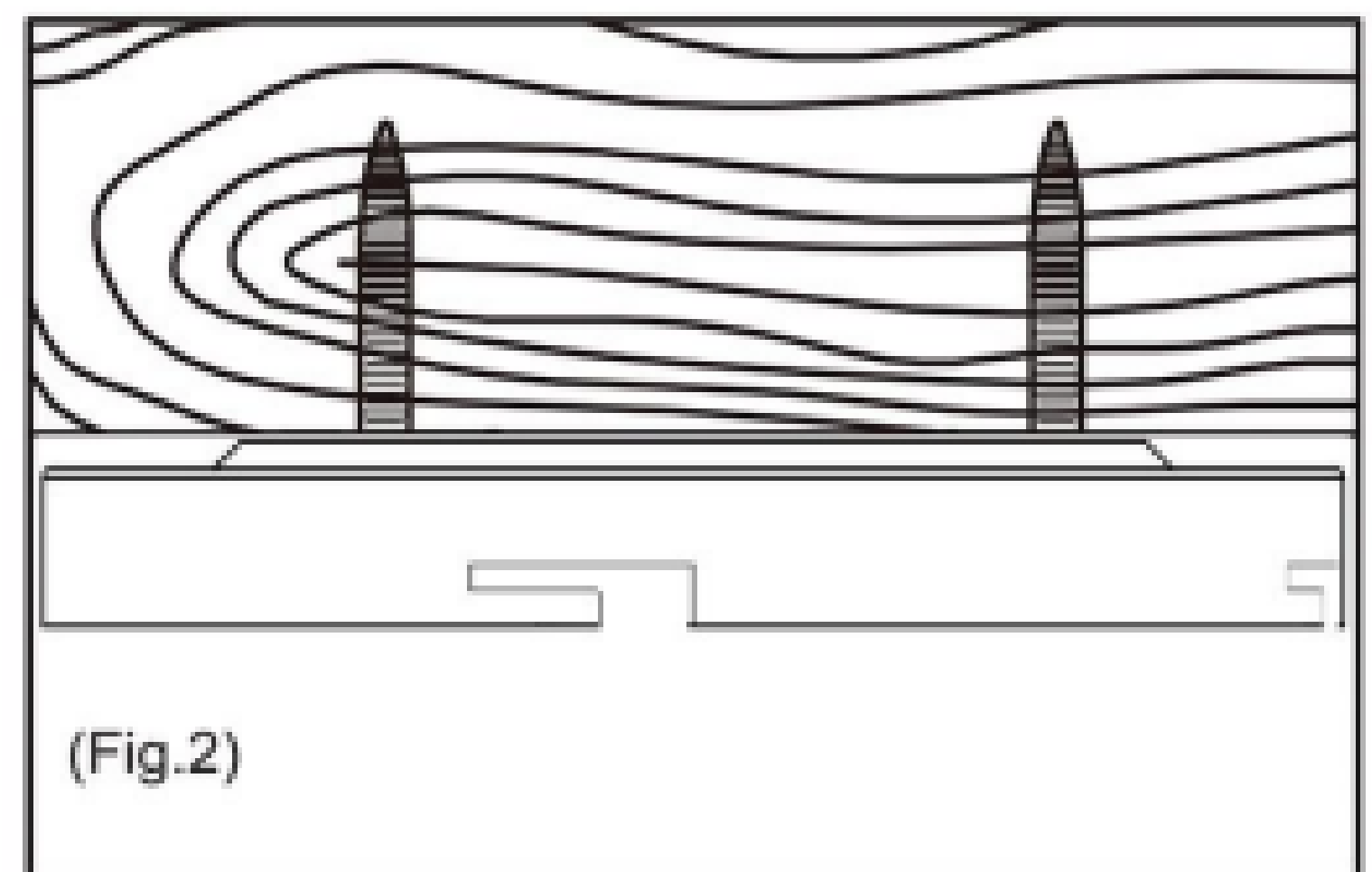
## INSTALL THE MOUNTING BRACKET

To prevent personal injury and damage, ensure that the hanging location allows the blade a clearance of 7.5 feet (2.3 metets) from the floor and 18 inches (45.72 centimeters) from any wall or obstruction.

1. For the concrete ceiling: Mark the location for the ceiling fan first, then drill two holes in the ceiling to aid in securing ceiling bracket with two expansion screws provided, and secure the mounting bracket to the building structure with two expansion screws provided, tighten the screws. (Fig.1)



For the Wood Ceiling: Mark the location for the ceiling fan first, secure the mounting bracket to the building structure with four wood screws provided. (Fig.2)

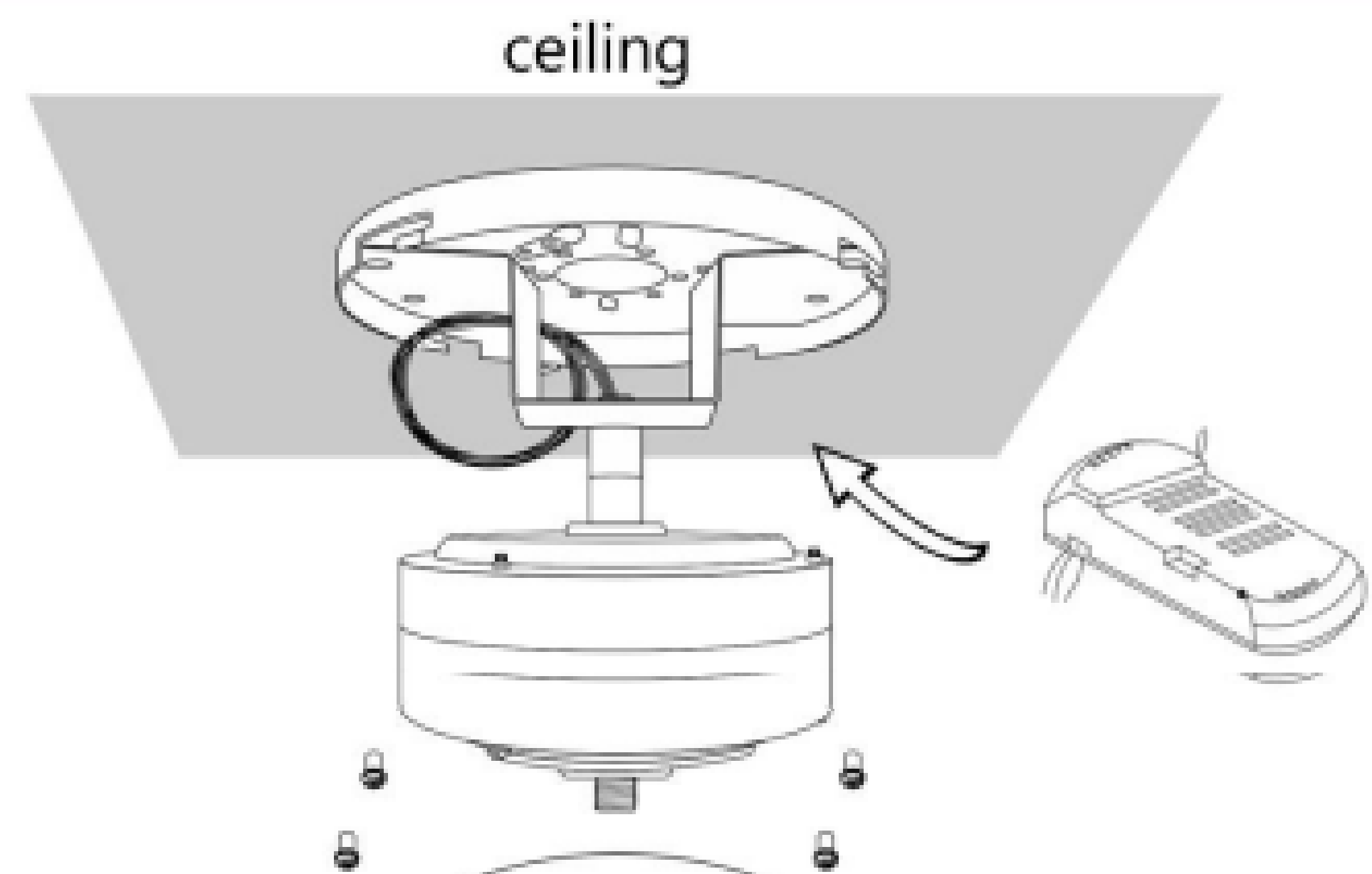


NOTE: Hanger after the installation must be able to withstand the weight of 45 kgs or more.

## INSTALLING RECEIVER

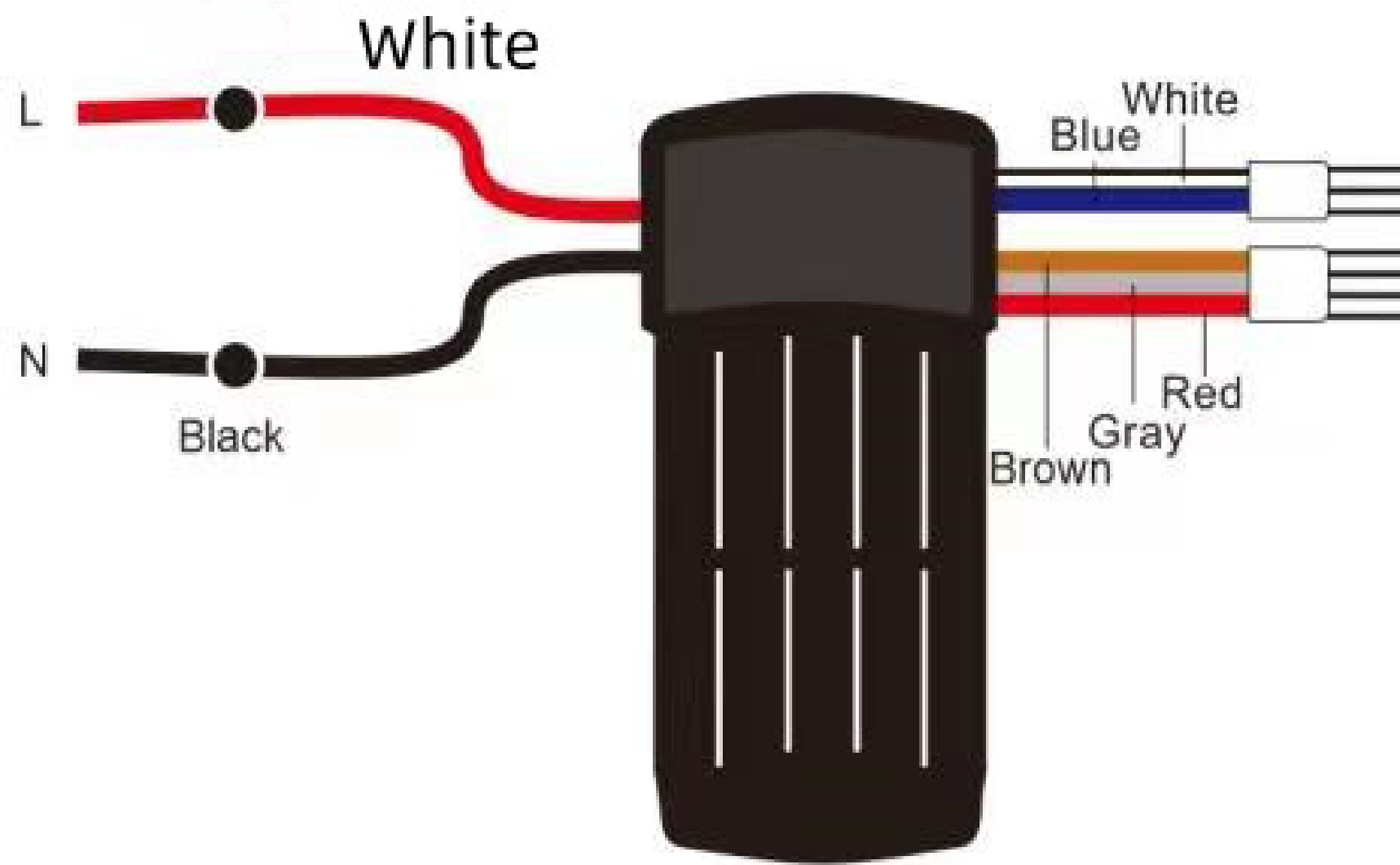
Install ceiling fan, follow the steps below:

1. Install the motor: unscrew the four screws of the ceiling mounting bracket, connect the motor to the ceiling mounting bracket and lock it with the screws.

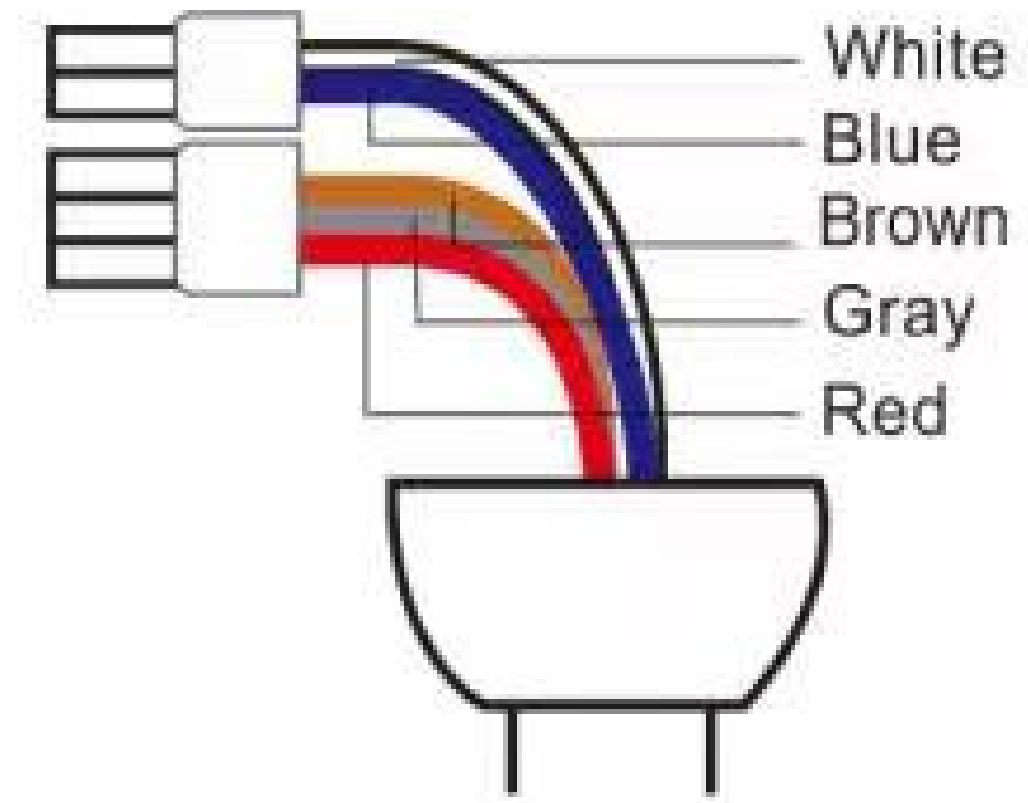


1. Install the motor: unscrew the four screws of the ceiling mounting bracket, connect the motor to the ceiling mounting bracket and lock it with the screws.

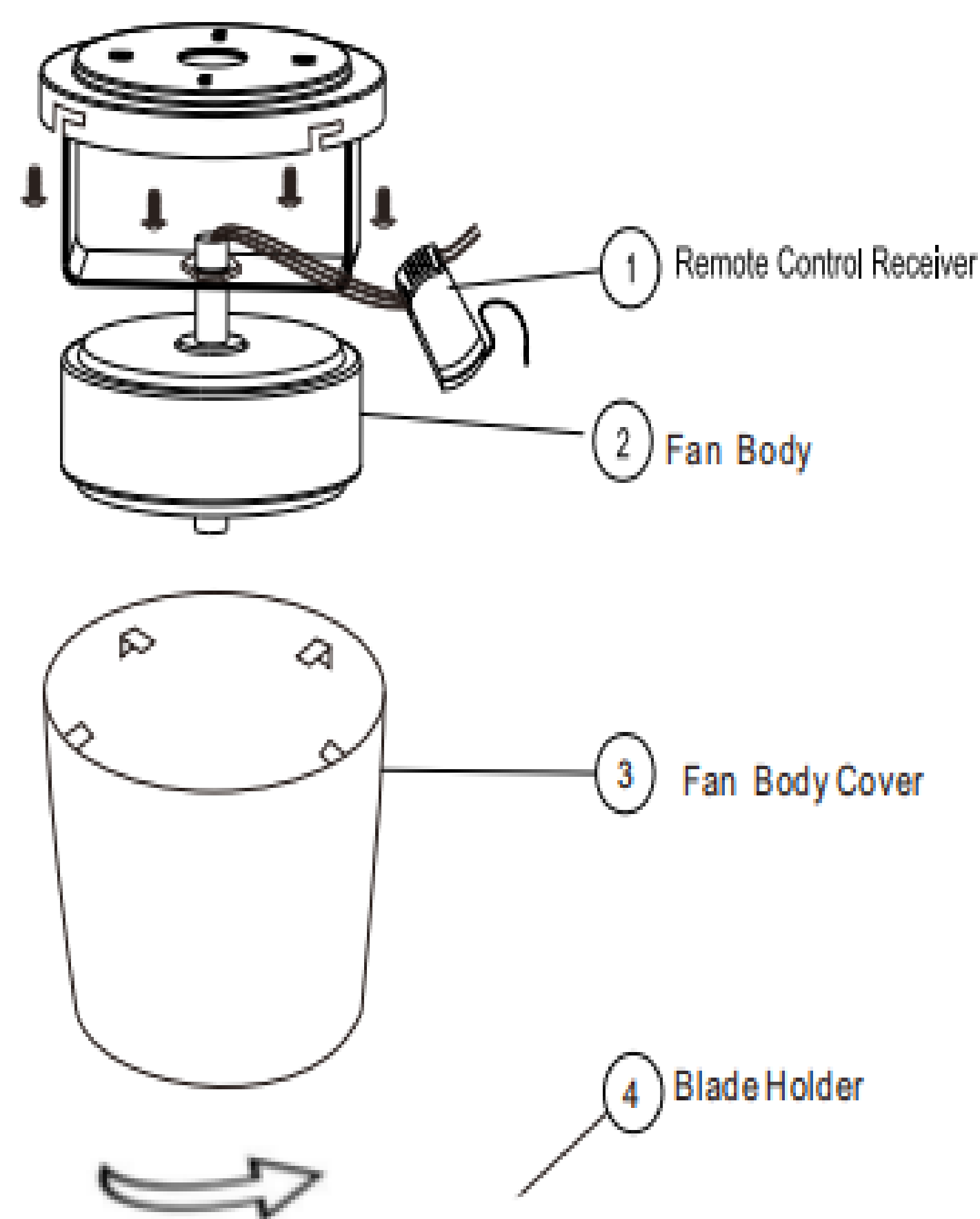
**From:house**



**From:Fan**



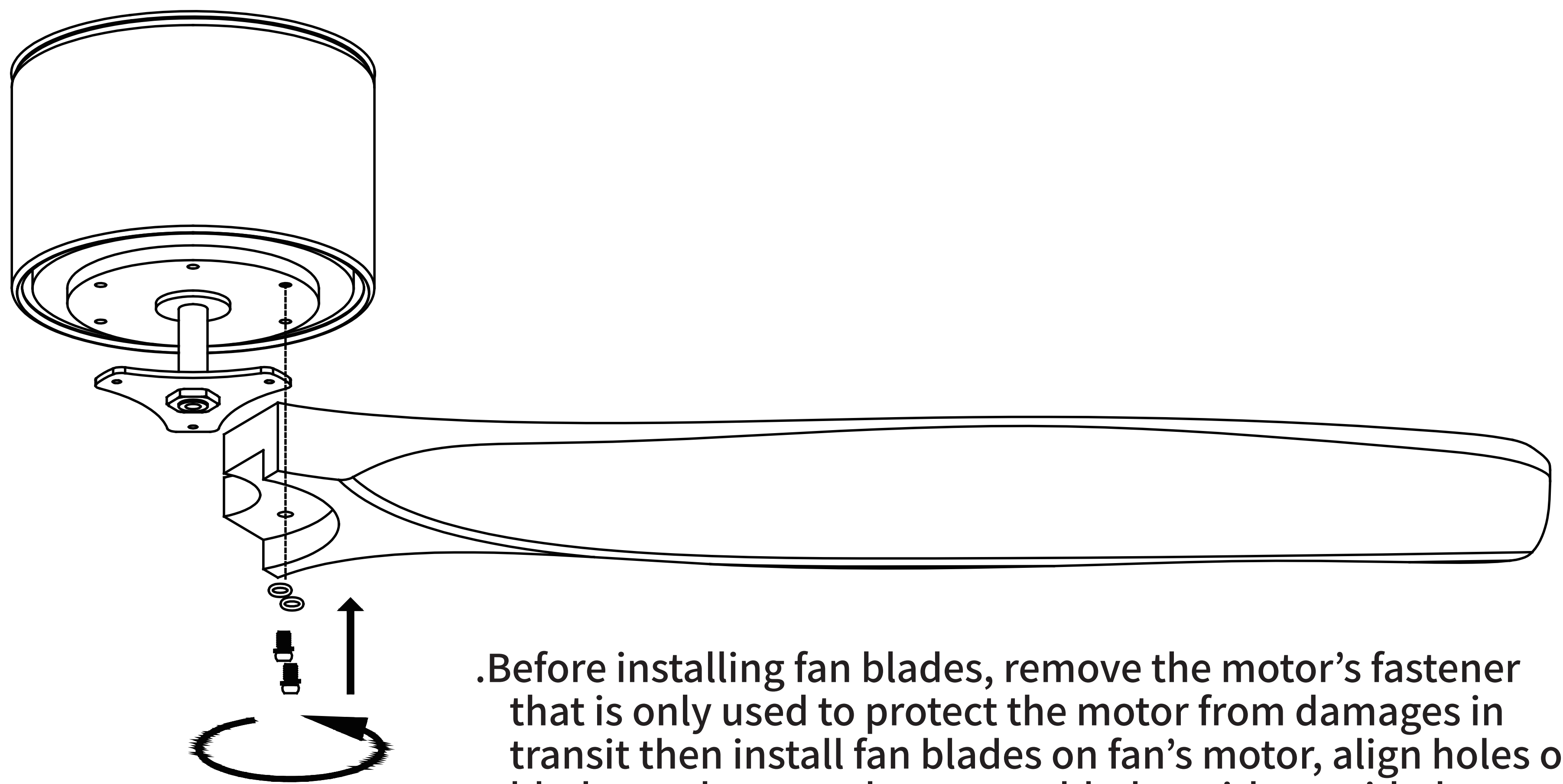
2. Install the remote control: Connect the wires on the motor and the wires on the receiver to the corresponding colors. (Please refer to the remote control manual)



**Attention:** the receiver must be retied tightly, otherwise it will rub against the motor and cause noise after loosening



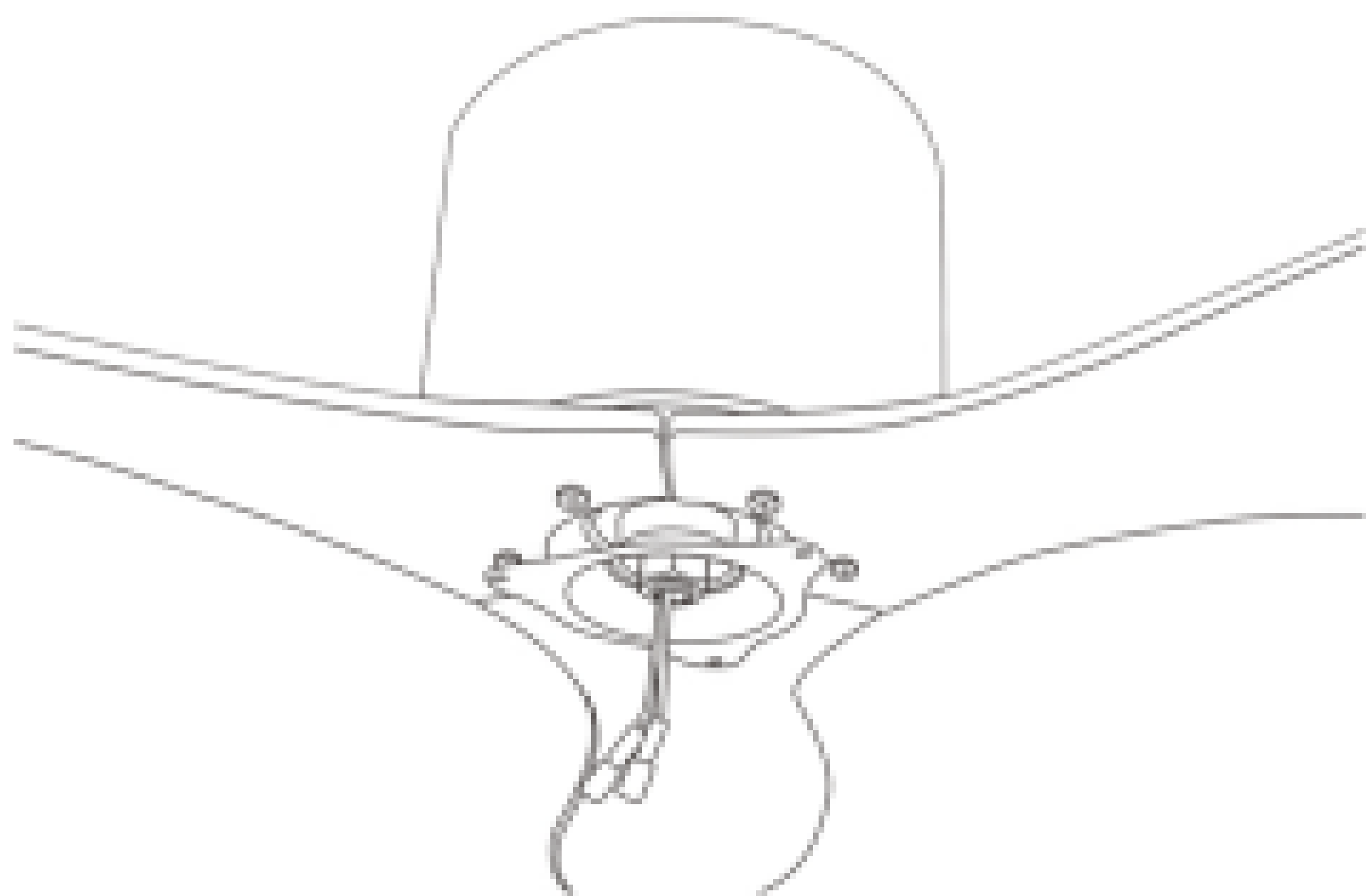
## Installing fan blades



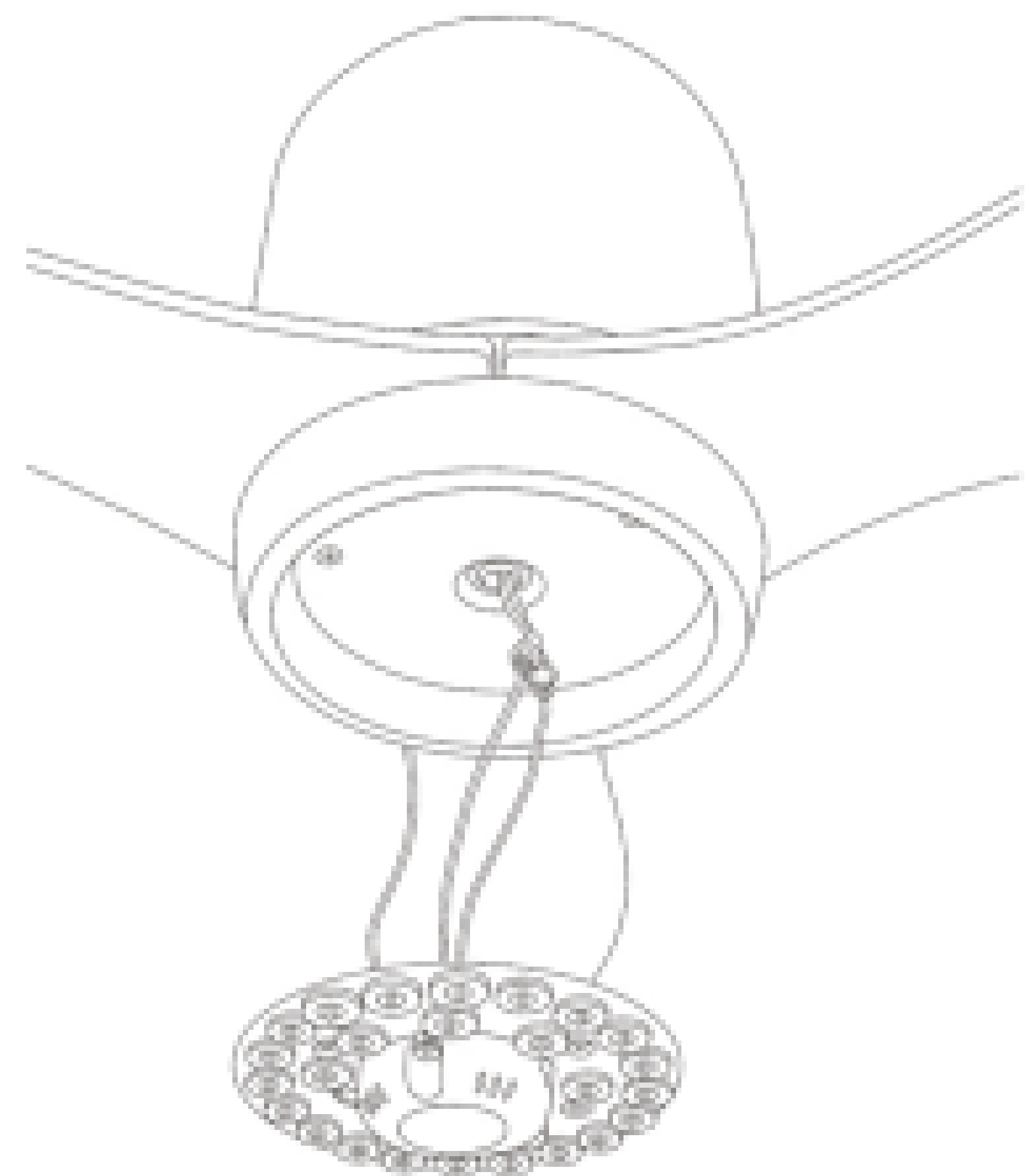
.Before installing fan blades, remove the motor's fastener that is only used to protect the motor from damages in transit then install fan blades on fan's motor, align holes of blades and motor, then screw blades with provided screws. (Figure 6)

Please confirm that all blades are in correct places and tightly screwed.

## INSTALLATION WITH LAMP



1.After locking the blade, install the lamp kit  
( Do not install the blade in the opposite direction)

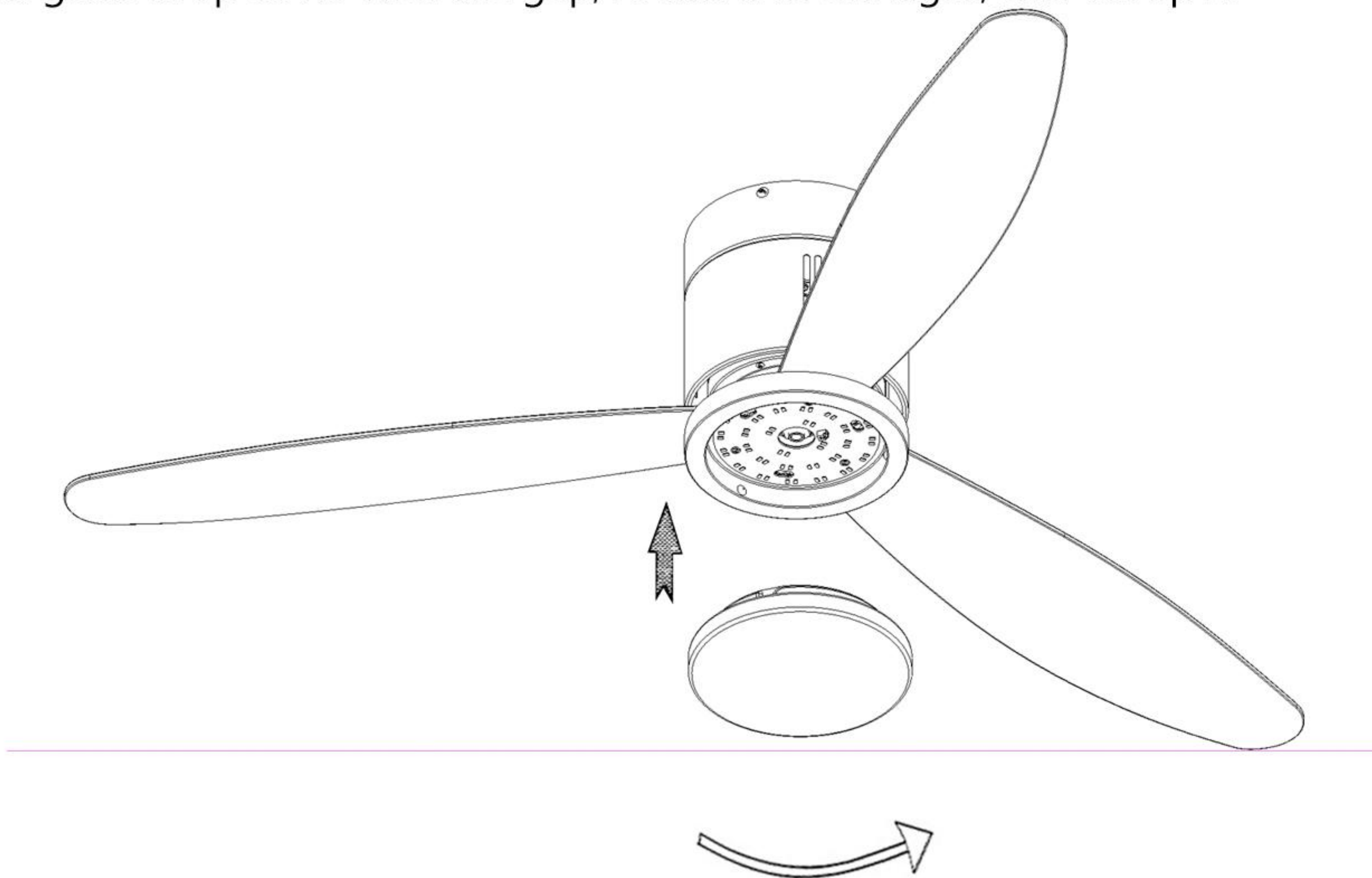


2.After locking the lamp kit,  
insert the LED wire ends.



## INSTALL LAMPSHADE

Align the glass lamp cover with the gap, rotate it to the right, and clamp it.



## TROUBLESHOOTING

PROBLEM	SOLUTION
Fan will not start	<ol style="list-style-type: none"><li>1. Check circuit fuses or breakers.</li><li>2. Check line wire connections to the fan and switch wire connections in the switch housing. CAUTION: Make sure main power is off.</li></ol>

### Fan sounds noisy:

1. Make sure all motor housingscrews are snug.
2. Make sure the screws that attach the fan blade bracket to the motor hub are tight.
3. Make sure wire nut connections are not rubbing against each other or the interior wall of the switch housing. CAUTION: Make sure main power is off.
4. Allow a 24-hour “breaking-in” period. Most noises associated with a new fan disappear during this time.
5. If using an optional light kit, make sure the screws securing the glassware are tight. Check that light bulb is also secure.
6. Some fan motors are sensitive to signals from solid-state variable speed controls. If you have installed this type of control, choose and install another type of control.
7. Make sure the upper canopy is a short distance from the ceiling. It should not touch the ceiling.
8. If the above method still does not solve the problem, please contact the manufacturer.