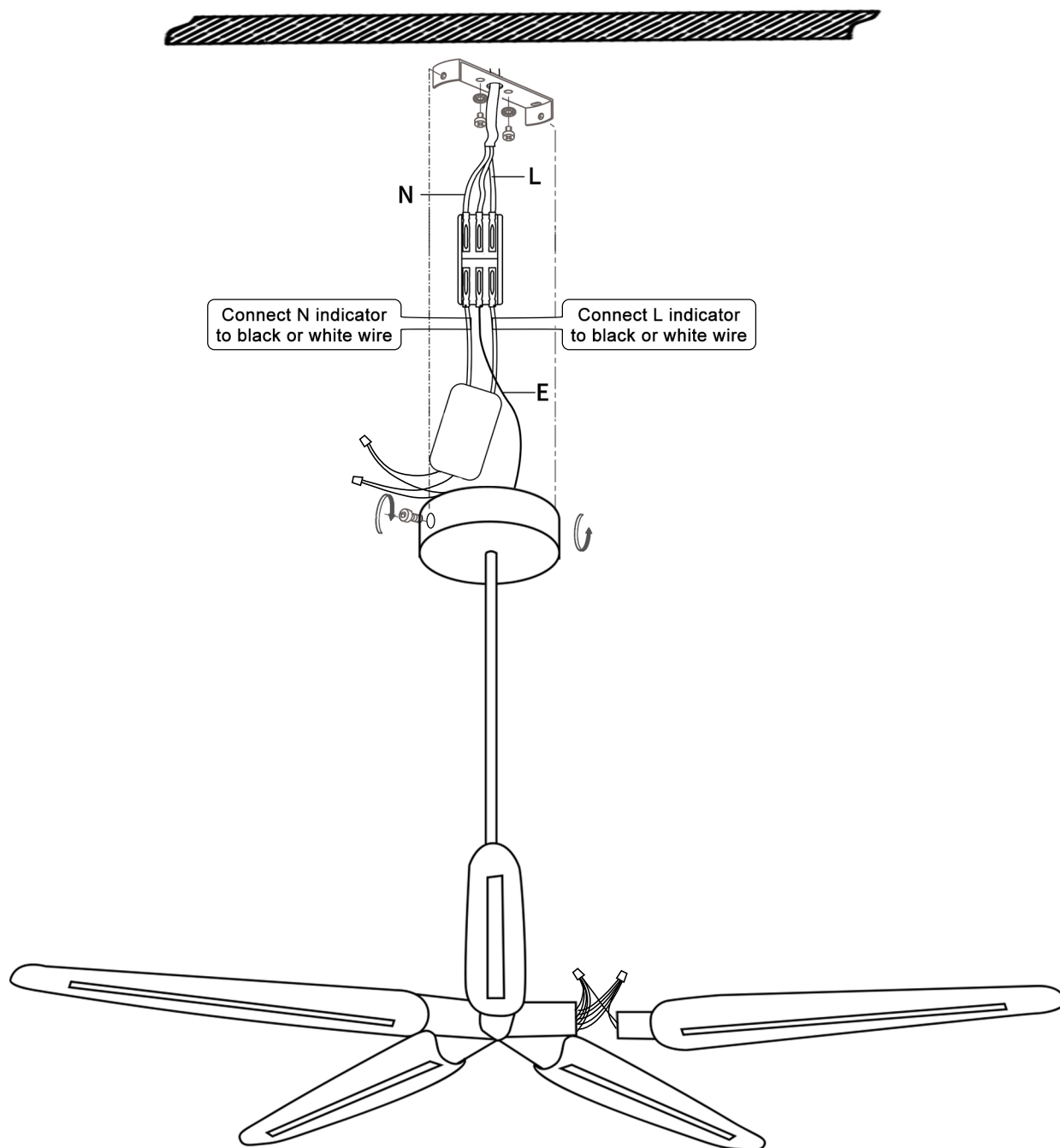


# INSTALLATION GUIDE - WM2524



- 1. Drill the mounting bracket into the ceiling with screws and even anchors (these come with the light).**
- 2. Insert all wood arms to the metal socket cluster and pull wires out of one of sockets.**
- 3. Use the wire cap nuts to connect the wires to the cable tagged in same colors.**
- 4. Pass the tagged cable through the boom, and screw the boom onto the socket cluster and canopy with a finger nut.**
- 5. Use the wire cap nuts to connect the driver to the tagged cable and the supply wires interchangeably without considering labels.**
- 6. Align the canopy holes with the mounting bracket and secure the canopy with screws.**