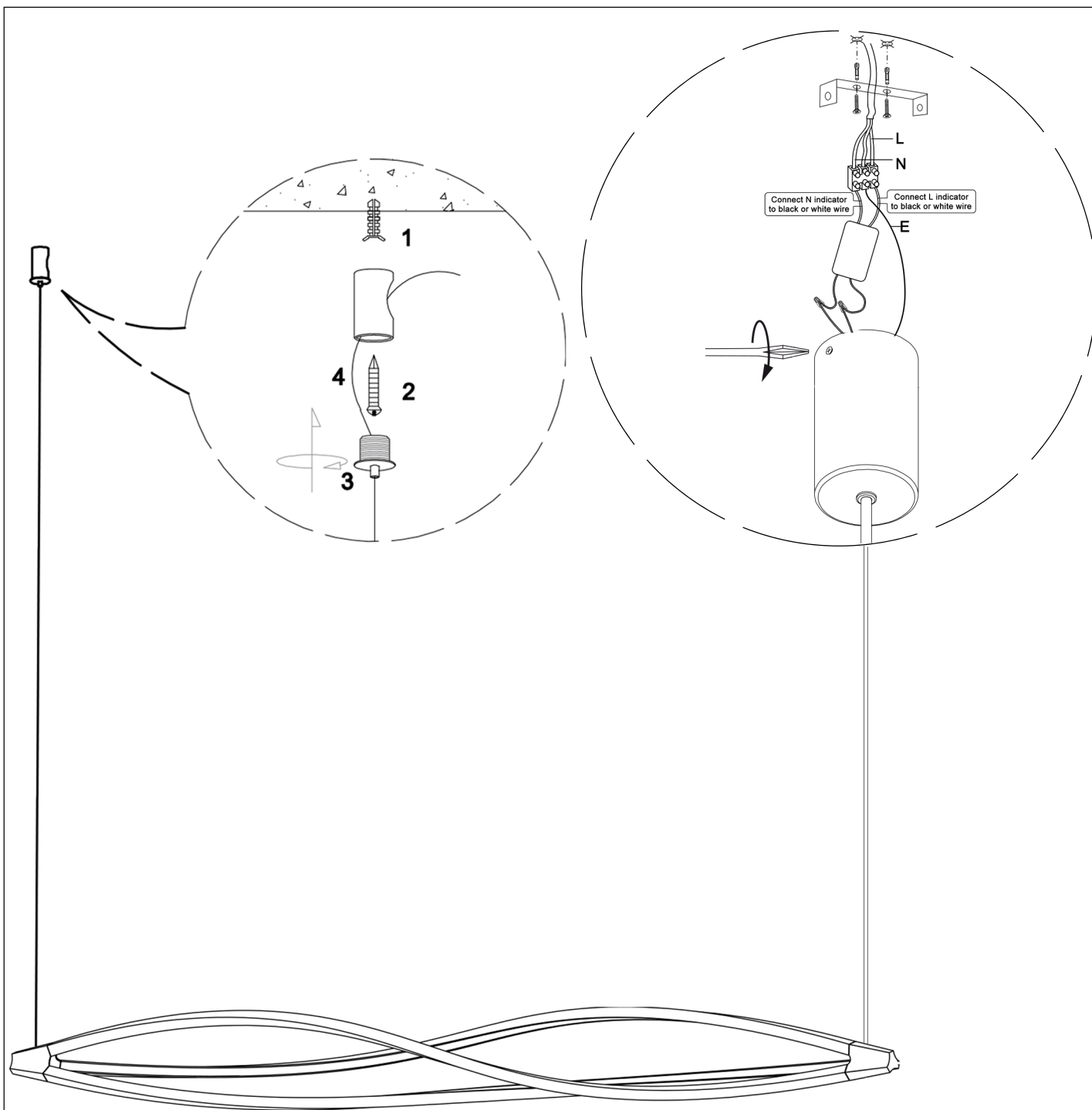


# INSTALLATION GUIDE - WM2245



- 1. Drill the mounting bracket and cable gripper nut into the ceiling with screws and anchors.**
- 2. Use the wire connector to connect the driver to the supply wires according to labels on the wires.**
- 3. Align holes of the canopy with the mounting bracket and secure the canopy with screws.**
- 4. Push the cable gripper to pass the cable through it, and screw the cable gripper up into the nut.**