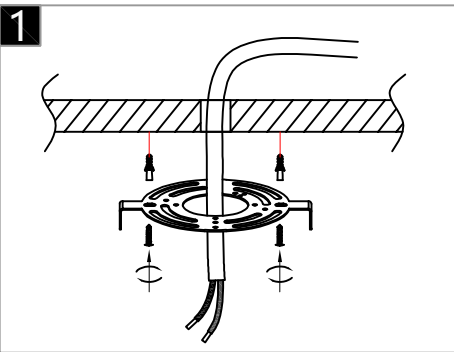


**Warning:**  
This product must be installed by personnel who are familiar with its structure and related hazards, in accordance with the installation specifications. This product is suitable for indoor installation.

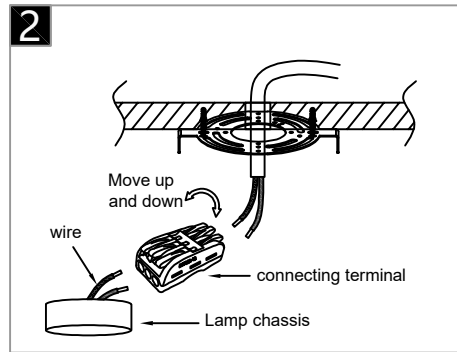


Product style diagram

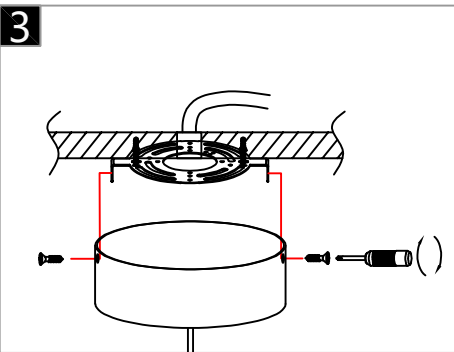
Steps of installation



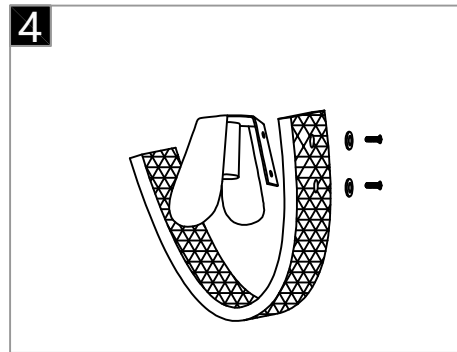
Fix the mounting plate to the ceiling using self-tapping screws.



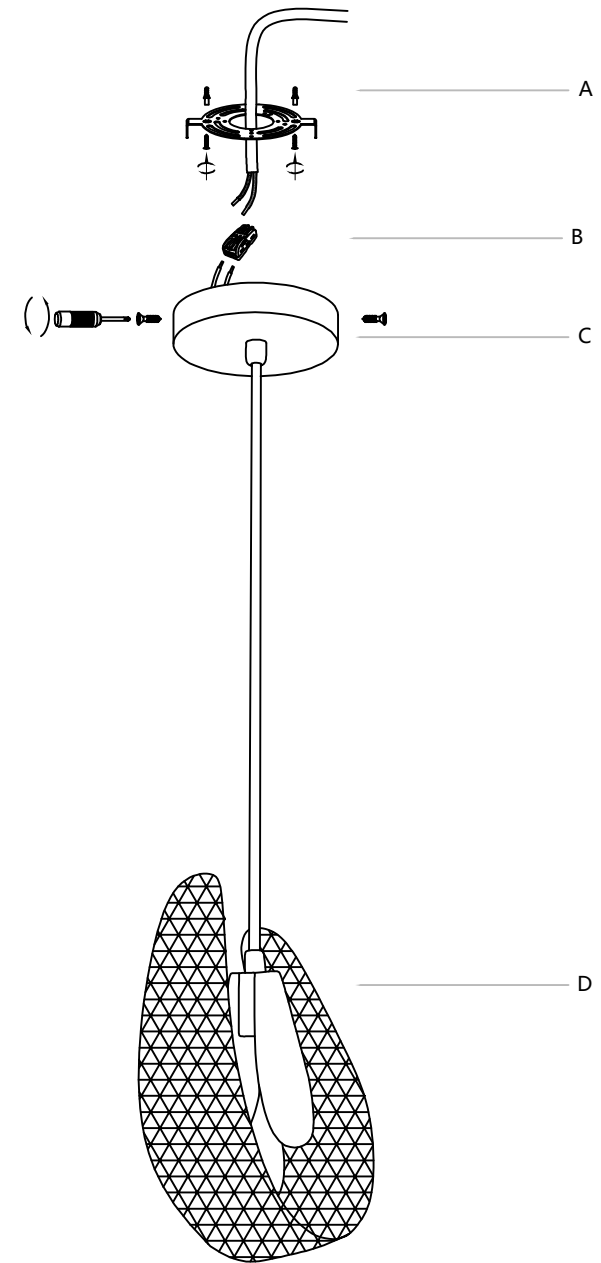
Connect the wires inside the luminaire and ceiling to the terminal, usually neutral wire (white), hot wire (black)



Align the holes on the top cover with the holes on the mounting plate, and then secure them with screws.



Install the U-shaped glass sheet. Remember to place the gasket and then tighten the screws.



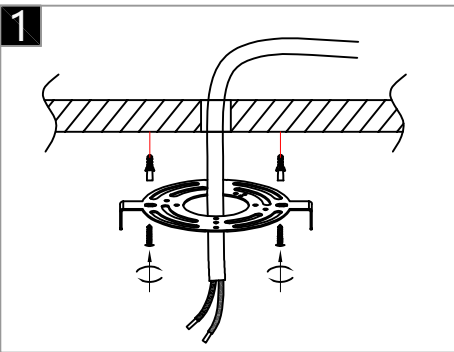
Use self-tapping screws to fix the installation plate (A) to the ceiling. Then connect the wires inside the top cover (C) to the wires on the ceiling and the terminal block (B). Align the screw holes on the top cover (C) with the holes on the installation plate (A), and fix them with screws. Next, install the light source onto the lamp head, and then install the U-shaped glass sheet (D) onto the lamp head.

**Warning:**  
This product must be installed by personnel who are familiar with its structure and related hazards, in accordance with the installation specifications. This product is suitable for indoor installation.

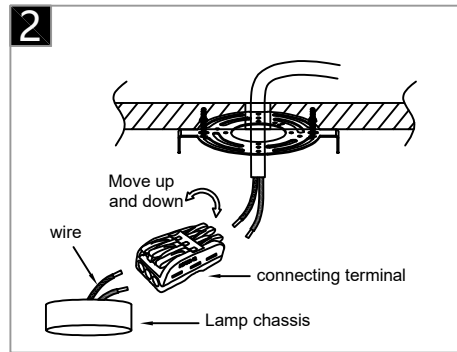


Product style diagram

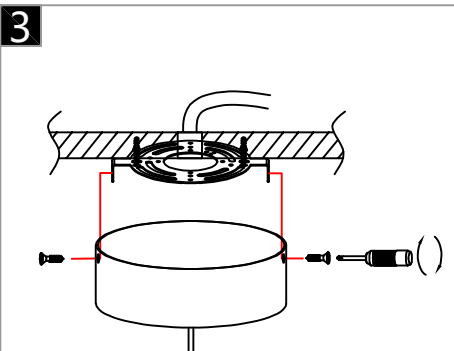
Steps of installation



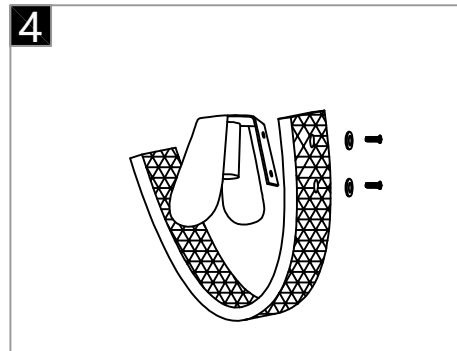
Fix the mounting plate to the ceiling using self-tapping screws.



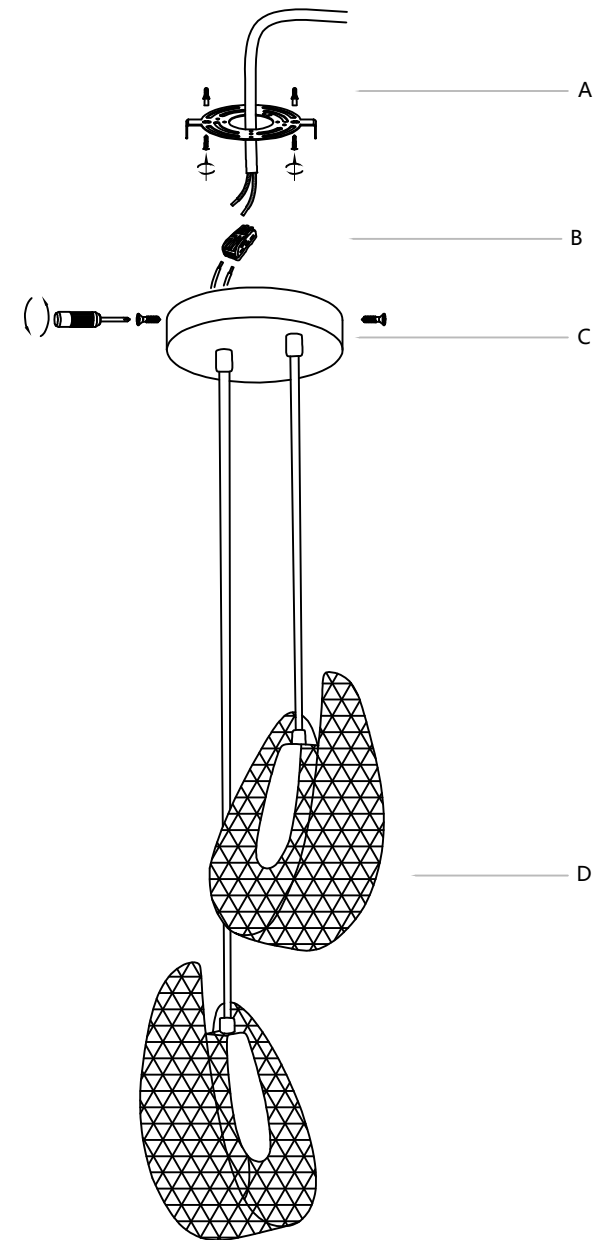
Connect the wires inside the luminaire and ceiling to the terminal, usually neutral wire (white), hot wire (black)



Align the holes on the top cover with the holes on the mounting plate, and then secure them with screws.



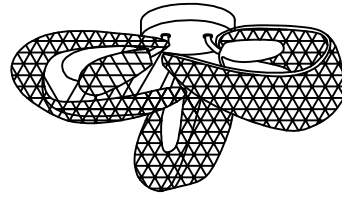
Install the U-shaped glass sheet. Remember to place the gasket and then tighten the screws.



Use self-tapping screws to fix the installation plate (A) to the ceiling. Then connect the wires inside the top cover (C) to the wires on the ceiling and the terminal block (B). Align the screw holes on the top cover (C) with the holes on the installation plate (A), and fix them with screws. Next, install the light source onto the lamp head, and then install the U-shaped glass sheet (D) onto the lamp head.

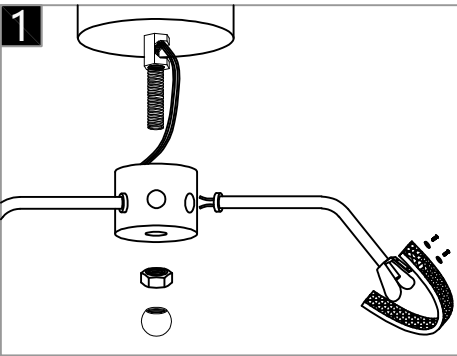
**Warning:**

This product must be installed by personnel who are familiar with its structure and related hazards, in accordance with the installation specifications. This product is suitable for indoor installation.

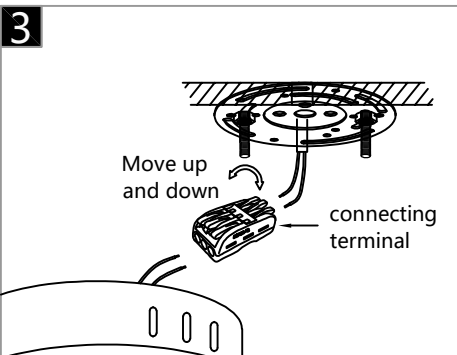


Product style diagram

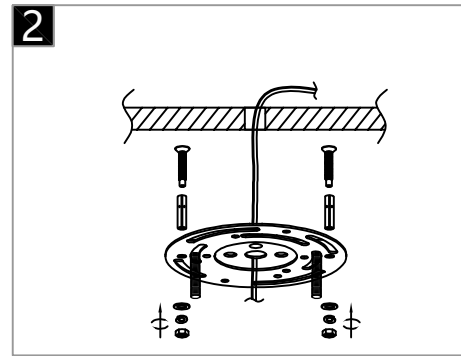
**Steps of installation**



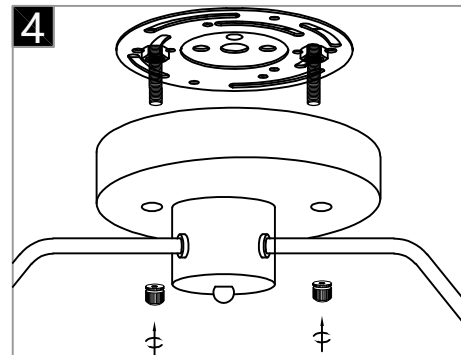
Install the lamp wall bracket onto the bottom cover, then connect the wires together by color, then pass them through the connector nuts and fix them onto the top cover. Finally, install the U-shaped glass sheet onto the lamp arm bracket.



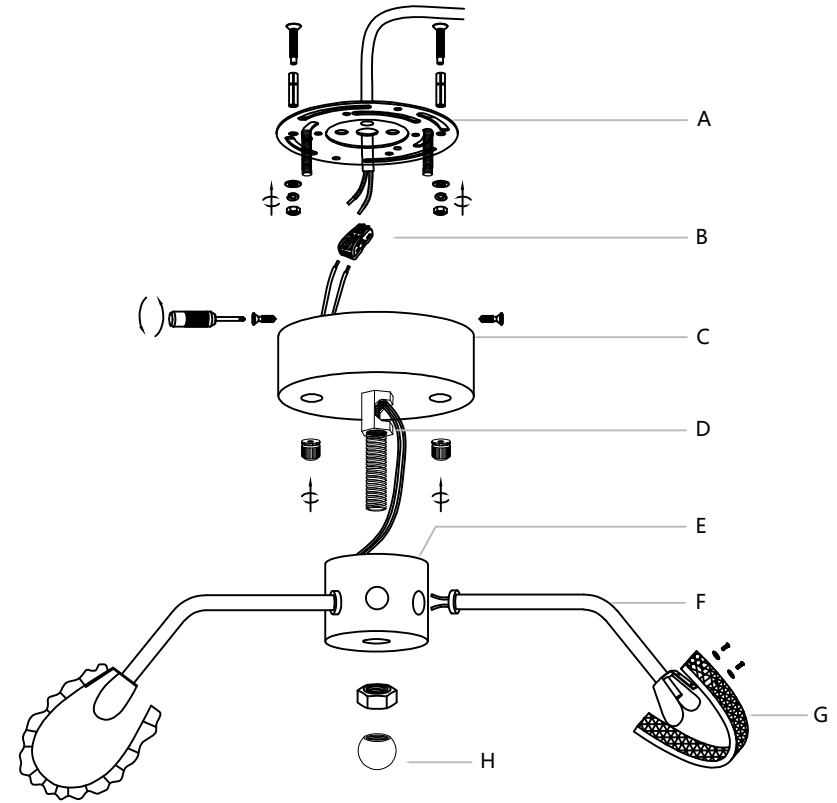
Connect the wires inside the luminaire and ceiling to the terminal, usually neutral wire (white), hot wire (black)



fix the expansion screws onto the ceiling, and then lock the mounting plate onto the screws.



Align the top cover hole position on the luminaire with the screws on the mounting plate and then secure from the bottom using the nut.



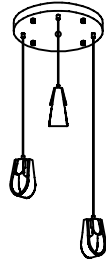
Install the lamp base bracket (F) onto the bottom cover (E), then connect the wires by color and pass them through the connection nut (D) and fix them onto the top cover (C). Next, tighten the bottom cover (E) with the head nut (H). Finally, install the U-shaped glass sheet (G) onto the lamp arm bracket (F), then fix the mounting plate (A) to the ceiling, then connect the wires on the top cover (C) to the wiring terminals (B) on the ceiling, and finally fix the top cover (C) onto the mounting plate (A), and then tighten it with a nut.

# Installation Instructions

WOMO Lighting

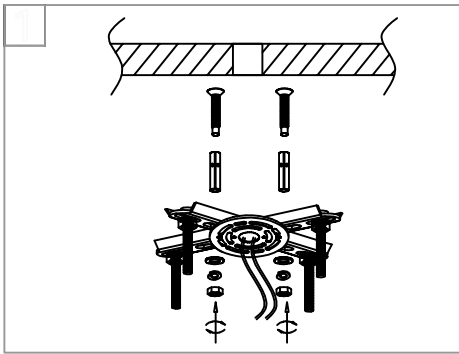
Model number: WM2213-3

**Warning:**  
This product must be installed by personnel who are familiar with its structure and related hazards, in accordance with the installation specifications. This product is suitable for indoor installation.

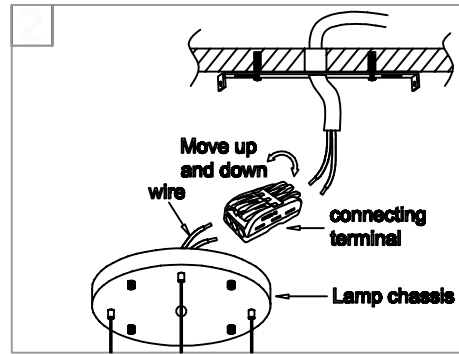


Product style diagram

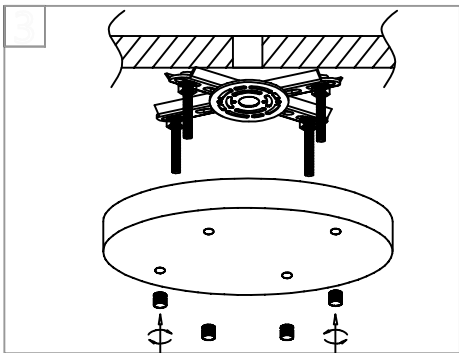
## Steps of installation



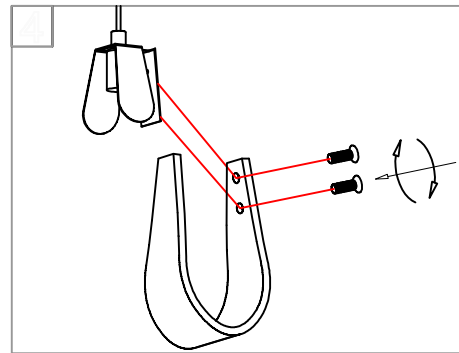
Install the mounting plate onto the ceiling.



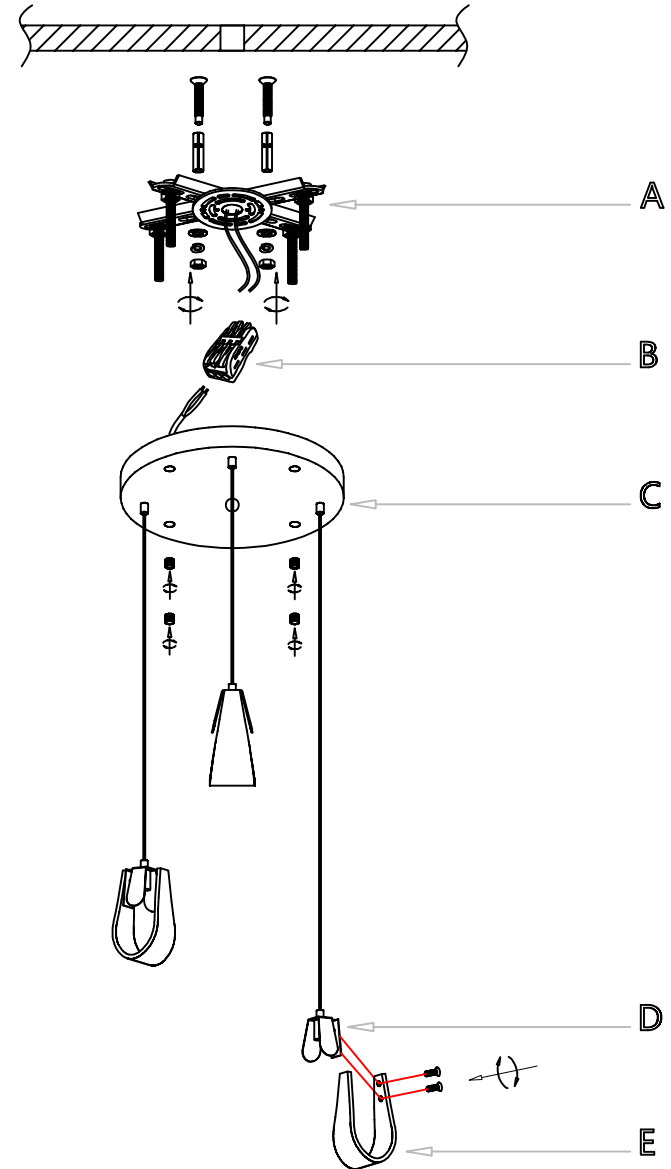
Use the terminal block to connect the wires on the disc to the wires on the ceiling.



Align the holes of the top cover with those of the mounting plate, and tighten the screws.



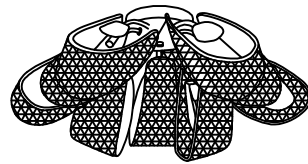
Install the bulb on the lamp head, and align the holes of the glass lampshade with the holes on the lamp head, and tighten the screws.



First, fix the mounting plate (A) to the ceiling. Next, adjust the length of the wire in the locking head of the disc (C), and tighten the screws. Then, use the terminal block (B) to connect the wires on the disc (C) to the wires on the ceiling. Then, align the holes on the disc (C) with the threaded rod on the mounting plate (A), and tighten the screws. Finally, install the bulb on the lamp head (D), and align the holes of the glass lampshade (E) with the holes on the lamp head (D), and tighten the screws.

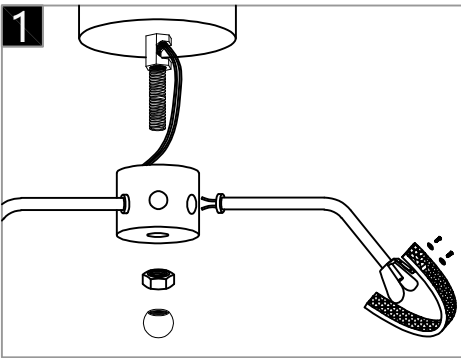
**Warning:**

This product must be installed by personnel who are familiar with its structure and related hazards, in accordance with the installation specifications. This product is suitable for indoor installation.

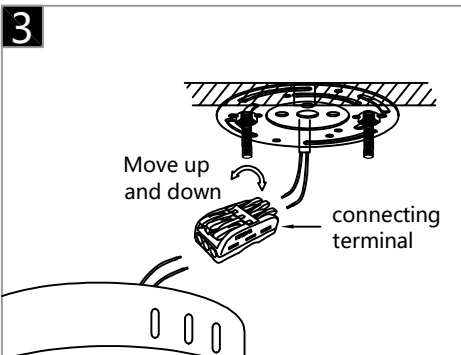


Product style diagram

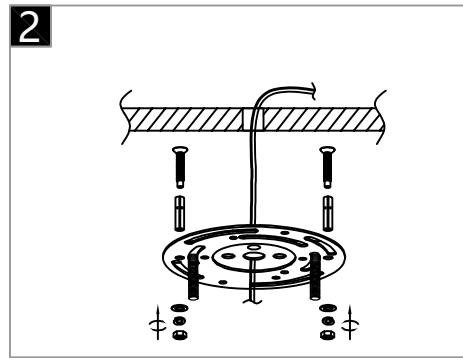
**Steps of installation**



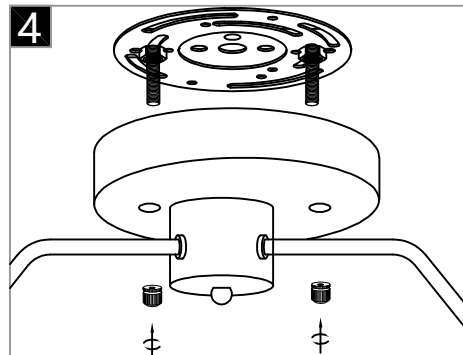
Install the lamp wall bracket onto the bottom cover, then connect the wires together by color, then pass them through the connector nuts and fix them onto the top cover. Finally, install the U-shaped glass sheet onto the lamp arm bracket.



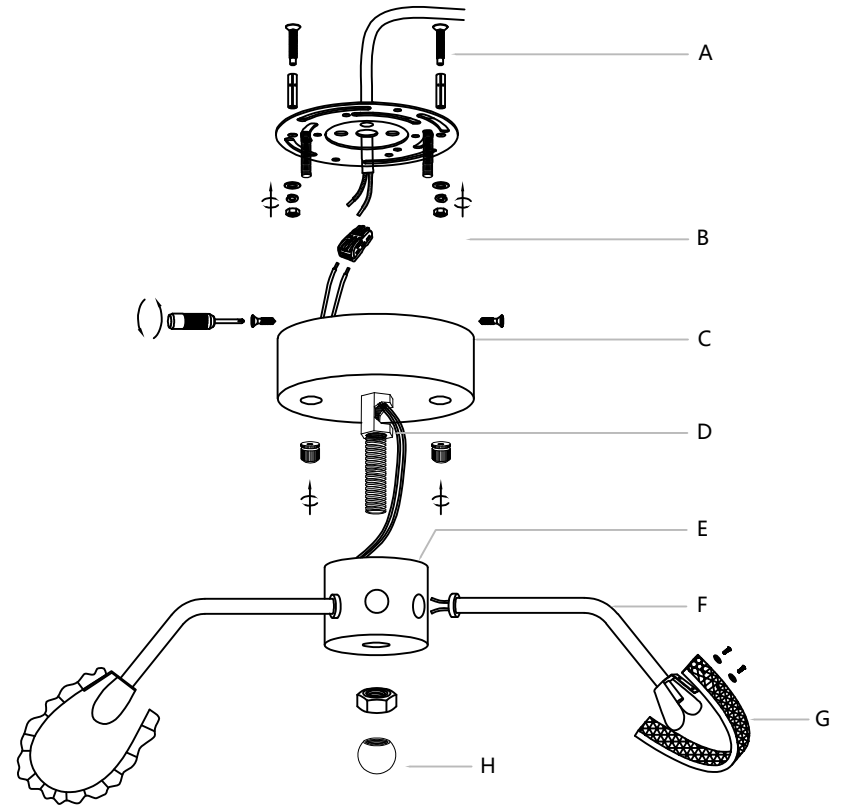
Connect the wires inside the luminaire and ceiling to the terminal, usually neutral wire (white), hot wire (black)



fix the expansion screws onto the ceiling, and then lock the mounting plate onto the screws.



Align the top cover hole position on the luminaire with the screws on the mounting plate and then secure from the bottom using the nut.



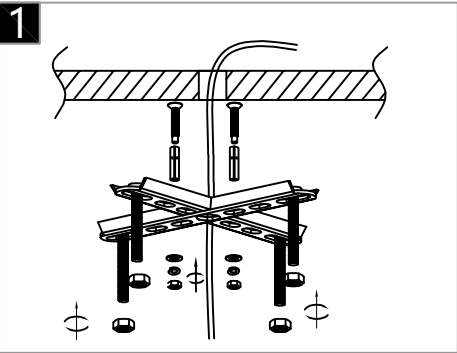
Install the lamp base bracket (F) onto the bottom cover (E), then connect the wires by color and pass them through the connection nut (D) and fix them onto the top cover (C). Next, tighten the bottom cover (E) with the head nut (H). Finally, install the U-shaped glass sheet (G) onto the lamp arm bracket (F), then fix the mounting plate (A) to the ceiling, then connect the wires on the top cover (C) to the wiring terminals (B) on the ceiling, and finally fix the top cover (C) onto the mounting plate (A), and then tighten it with a nut.

**Warning:**  
This product must be installed by personnel who are familiar with its structure and related hazards, in accordance with the installation specifications. This product is suitable for indoor installation.

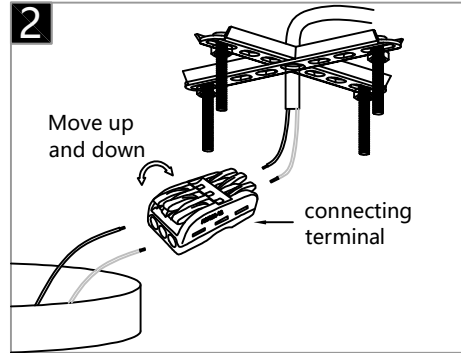


Product style diagram

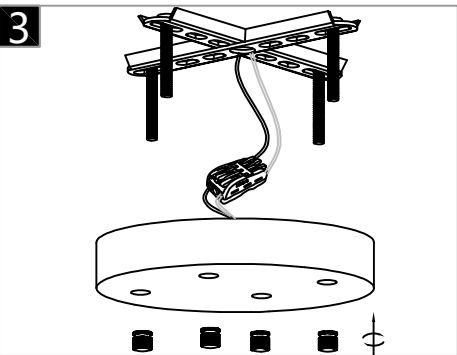
Steps of installation



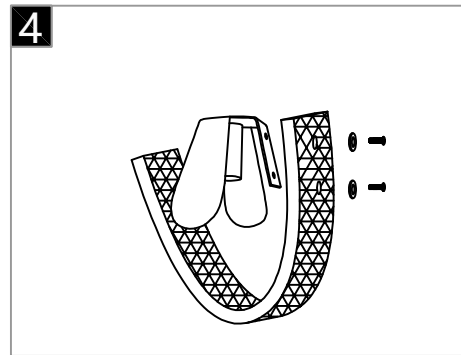
First, fix the expansion screws onto the ceiling, and then lock the mounting plate onto the screws.



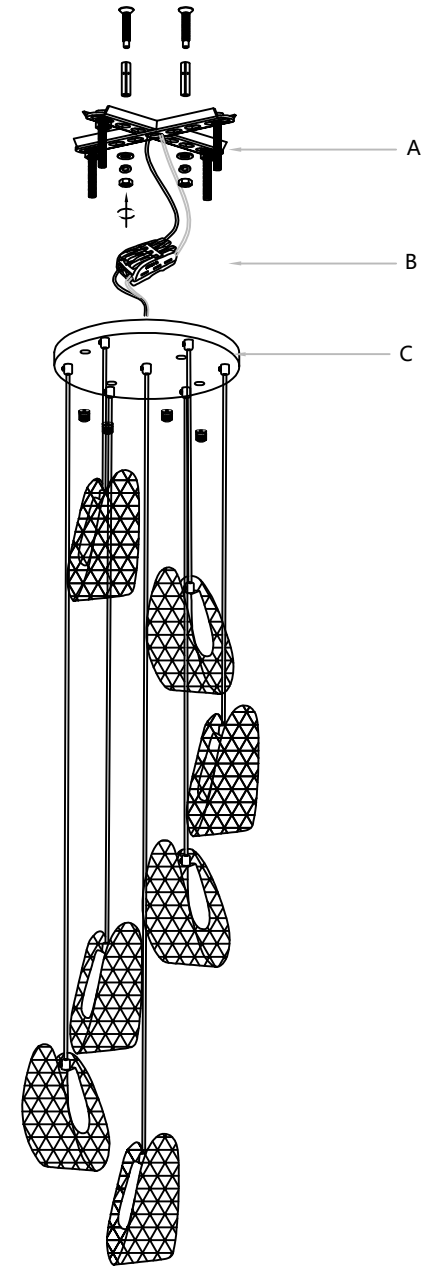
Connect the wires inside the luminaire and ceiling to the terminal, usually neutral wire (white), hot wire (black)



Align the top cover hole position on the luminaire with the screws on the mounting plate and then secure from the bottom using the nut.

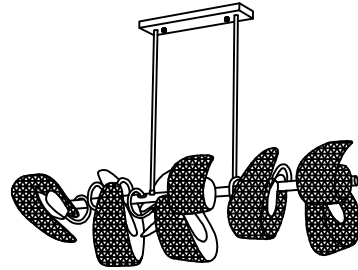


Install the U-shaped glass sheet. Remember to place the gasket and then tighten the screws.



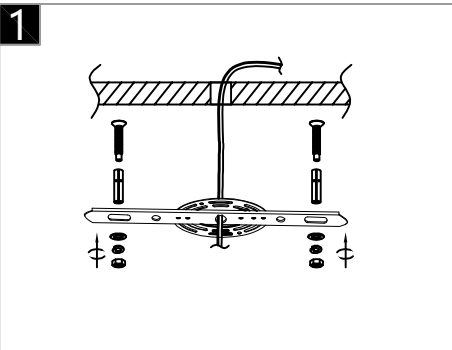
Use self-tapping screws to fix the installation plate (A) to the ceiling. Then connect the wires inside the top cover (C) to the wires on the ceiling and the terminal block (B). Align the screw holes on the top cover (C) with the holes on the installation plate (A), and fix them with screws. Next, install the light source onto the lamp head, and then install the U-shaped glass sheet (D) onto the lamp head.

**Warning:**  
This product must be installed by personnel who are familiar with its structure and related hazards, in accordance with the installation specifications. This product is suitable for indoor installation.

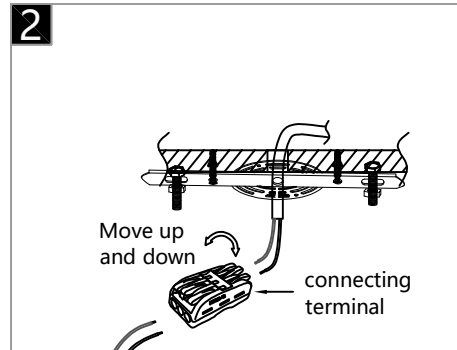


Product style diagram

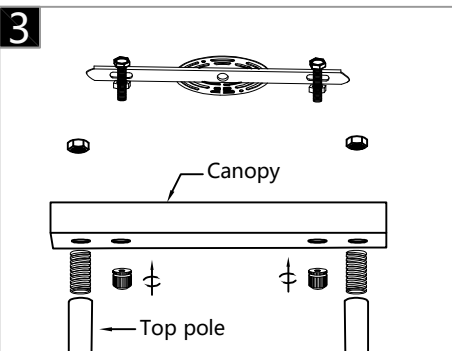
Steps of installation



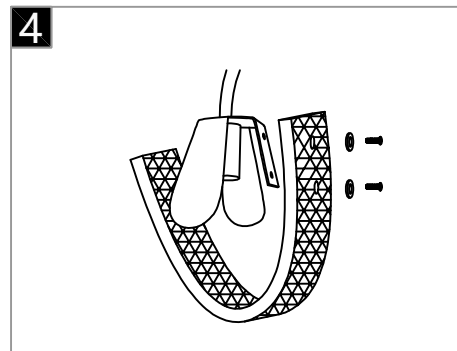
First, fix the expansion screws onto the ceiling, and then lock the mounting plate onto the screws.



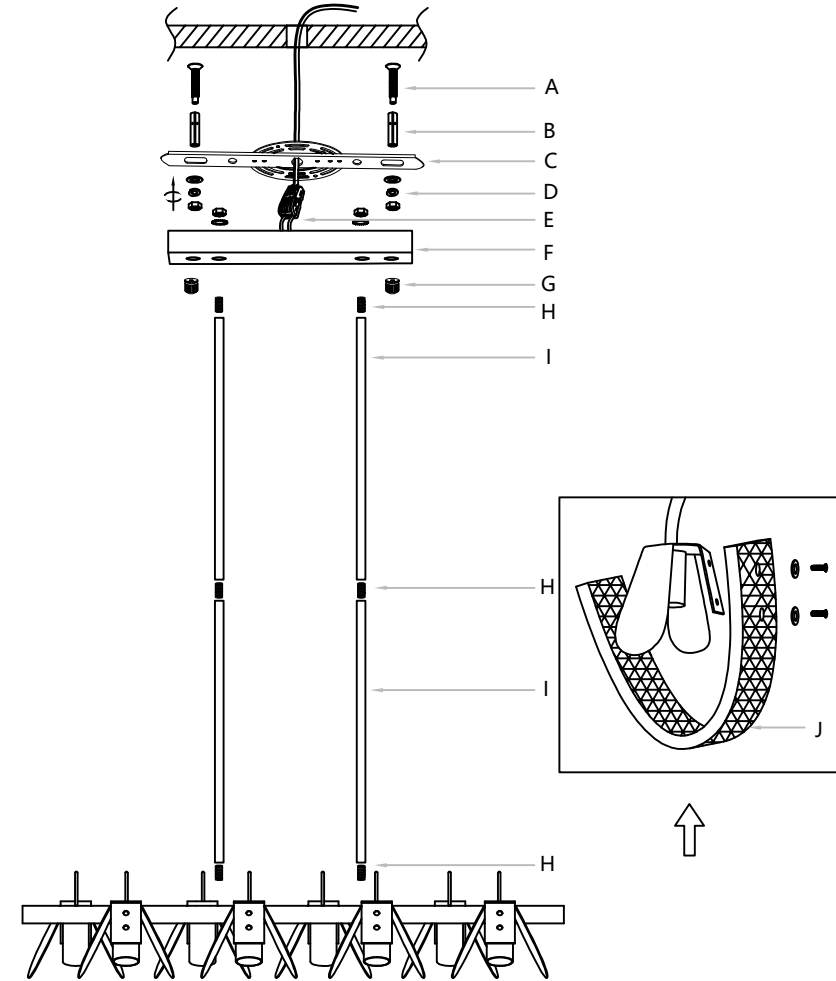
Connect the wires inside the luminaire and ceiling to the terminal, usually neutral wire (white), hot wire (black)



First, lock the top pole of the lamp body onto the canopy. Then, fix the entire lamp canopy onto the installation plate. Finally, secure the bottom of the canopy with wing nut screws.



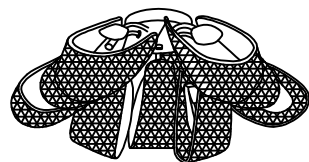
Install the U-shaped glass sheet. Remember to place the gasket and then tighten the screws.



First, pass the lamp wire through the bottom rod (I) and the top rod (I) of the screw (H), then connect the bottom rod (I) together with the screw (H) to the lamp body, then connect the top rod (I) and the bottom rod (I) together, and finally connect the lamp body to the mounting plate (F). Then tighten the nut and washer inside the top cover (F). Next, insert the expansion screws in the ceiling, fix the mounting plate (C) to (A,B), lock it with nuts (D) and washers, connect the wires inside the lamp and the wires inside the ceiling to terminal (E), then install the top cover (F) on the mounting plate (C), lock it with a flower-shaped nut, and finally install the U-shaped lampshade (J) on the lamp. First insert the silicone gasket, then lock the lamp with self-tapping screws, thus completing the installation of the lamp.

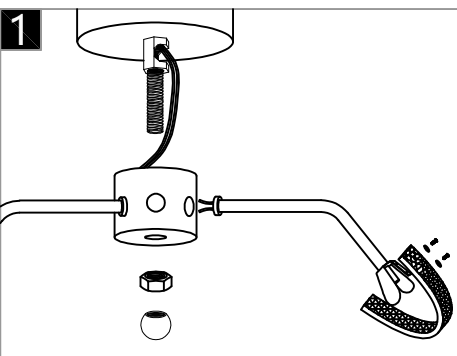
**Warning:**

This product must be installed by personnel who are familiar with its structure and related hazards, in accordance with the installation specifications. This product is suitable for indoor installation.

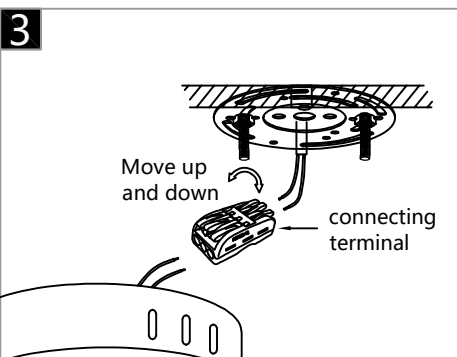


Product style diagram

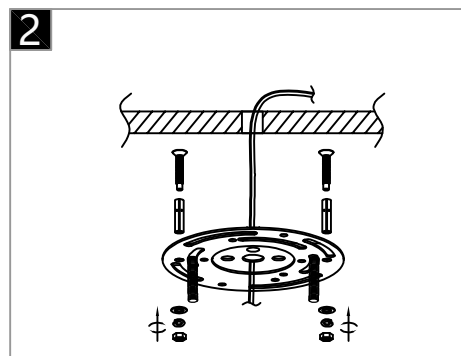
**Steps of installation**



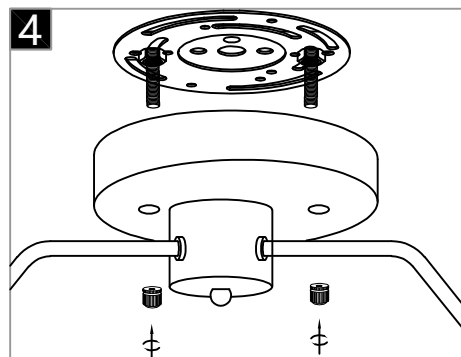
Install the lamp wall bracket onto the bottom cover, then connect the wires together by color, then pass them through the connector nuts and fix them onto the top cover. Finally, install the U-shaped glass sheet onto the lamp arm bracket.



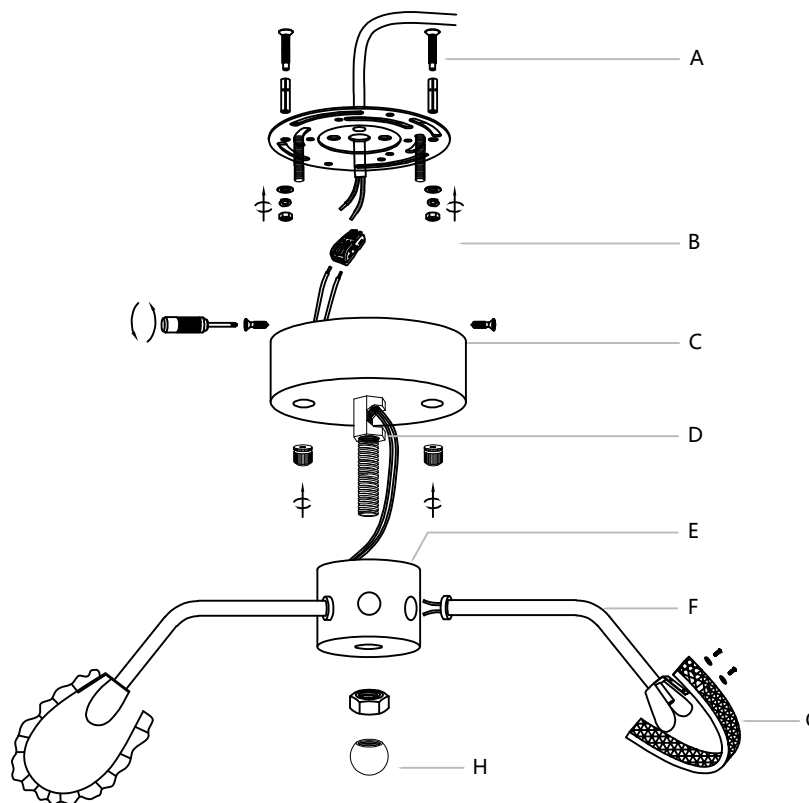
Connect the wires inside the luminaire and ceiling to the terminal, usually neutral wire (white), hot wire (black)



fix the expansion screws onto the ceiling, and then lock the mounting plate onto the screws.

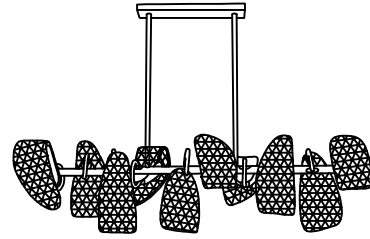


Align the top cover hole position on the luminaire with the screws on the mounting plate and then secure from the bottom using the nut.



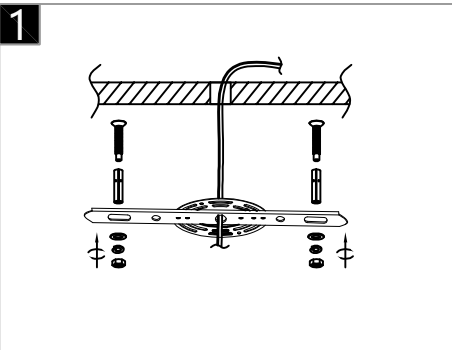
Install the lamp base bracket (F) onto the bottom cover (E), then connect the wires by color and pass them through the connection nut (D) and fix them onto the top cover (C). Next, tighten the bottom cover (E) with the head nut (H). Finally, install the U-shaped glass sheet (G) onto the lamp arm bracket (F), then fix the mounting plate (A) to the ceiling, then connect the wires on the top cover (C) to the wiring terminals (B) on the ceiling, and finally fix the top cover (C) onto the mounting plate (A), and then tighten it with a nut.

**Warning:**  
This product must be installed by personnel who are familiar with its structure and related hazards, in accordance with the installation specifications. This product is suitable for indoor installation.

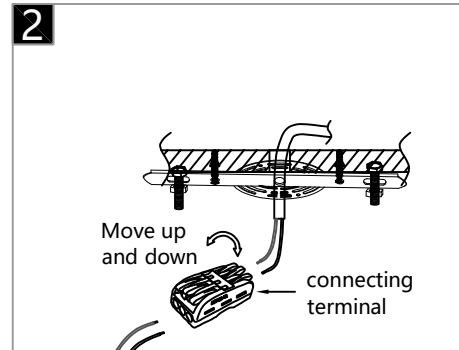


Product style diagram

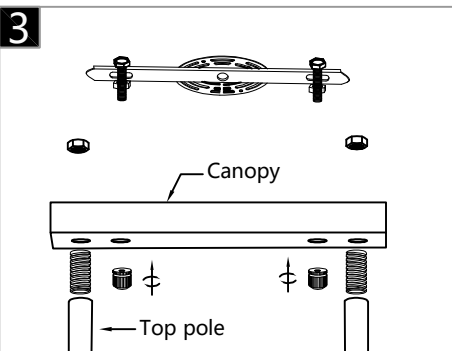
Steps of installation



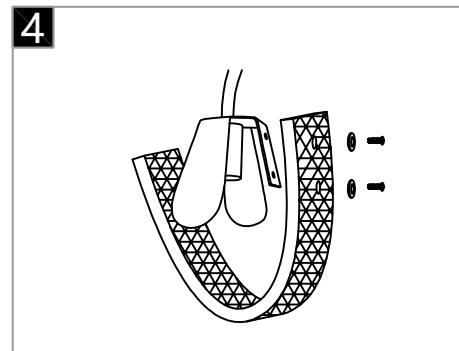
First, fix the expansion screws onto the ceiling, and then lock the mounting plate onto the screws.



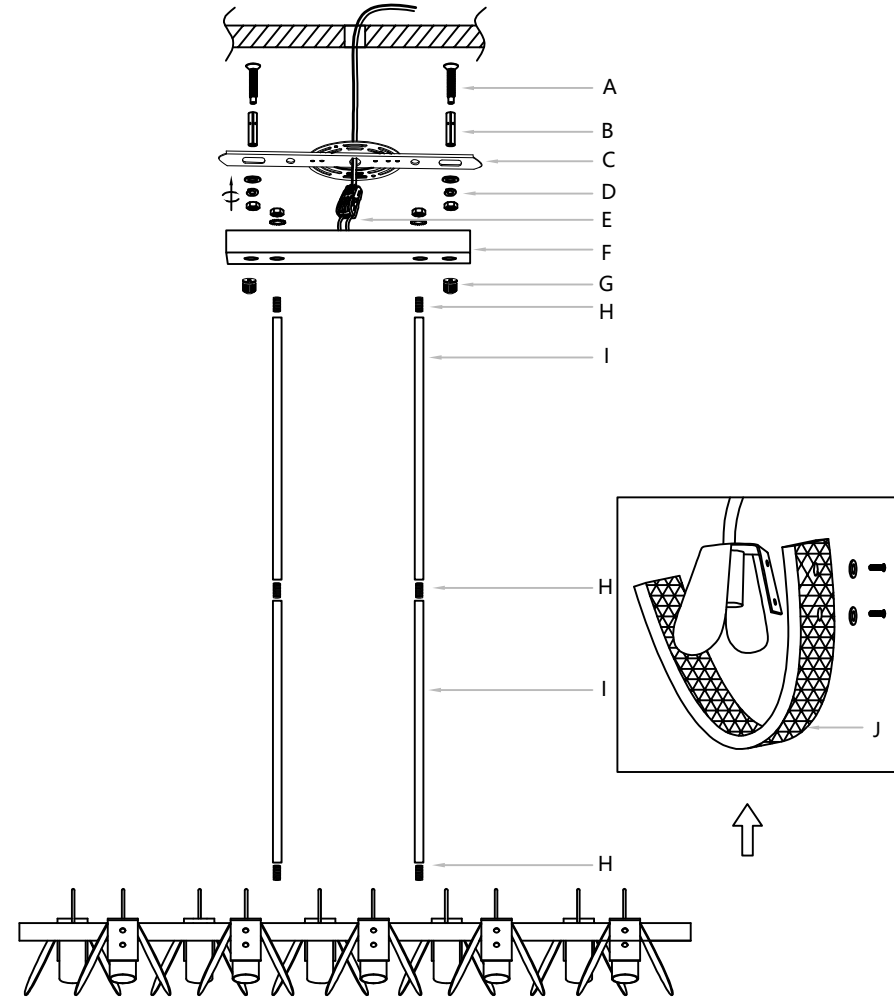
Connect the wires inside the luminaire and ceiling to the terminal, usually neutral wire (white), hot wire (black)



First, lock the top pole of the lamp body onto the canopy. Then, fix the entire lamp canopy onto the installation plate. Finally, secure the bottom of the canopy with wing nut screws.



Install the U-shaped glass sheet. Remember to place the gasket and then tighten the screws.



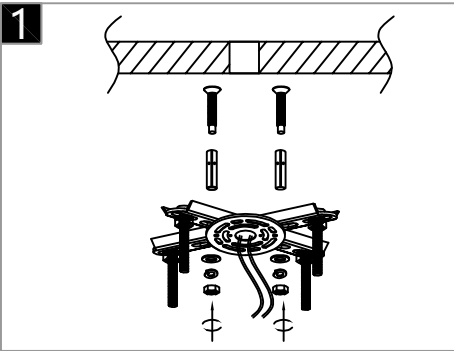
First, pass the lamp wire through the bottom rod (I) and the top rod (I) of the screw (H), then connect the bottom rod (I) together with the screw (H) to the lamp body, then connect the top rod (I) and the bottom rod (I) together, and finally connect the lamp body to the mounting plate (F). Then tighten the nut and washer inside the top cover (F). Next, insert the expansion screws in the ceiling, fix the mounting plate (C) to (A,B), lock it with nuts (D) and washers, connect the wires inside the lamp and the wires inside the ceiling to terminal (E), then install the top cover (F) on the mounting plate (C), lock it with a flower-shaped nut, and finally install the U-shaped lampshade (J) on the lamp. First insert the silicone gasket, then lock the lamp with self-tapping screws, thus completing the installation of the lamp.

**Warning:**  
This product must be installed by personnel who are familiar with its structure and related hazards, in accordance with the installation specifications. This product is suitable for indoor installation.

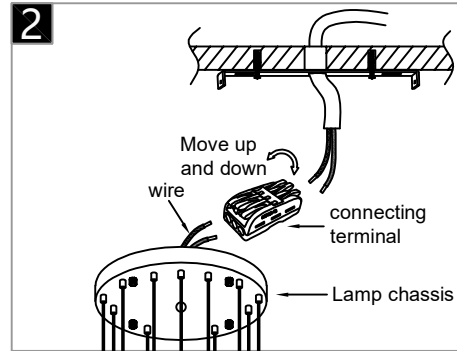


Product style diagram

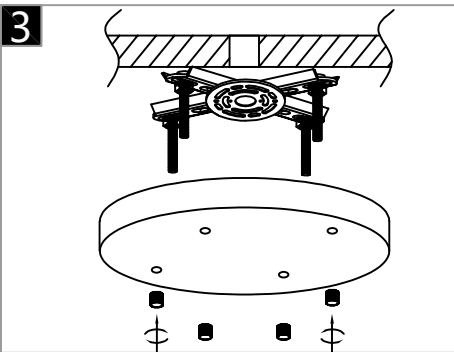
Steps of installation



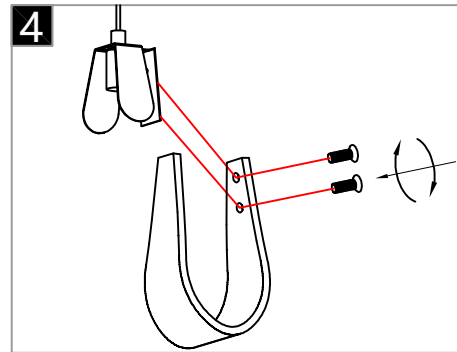
Install the mounting plate onto the ceiling.



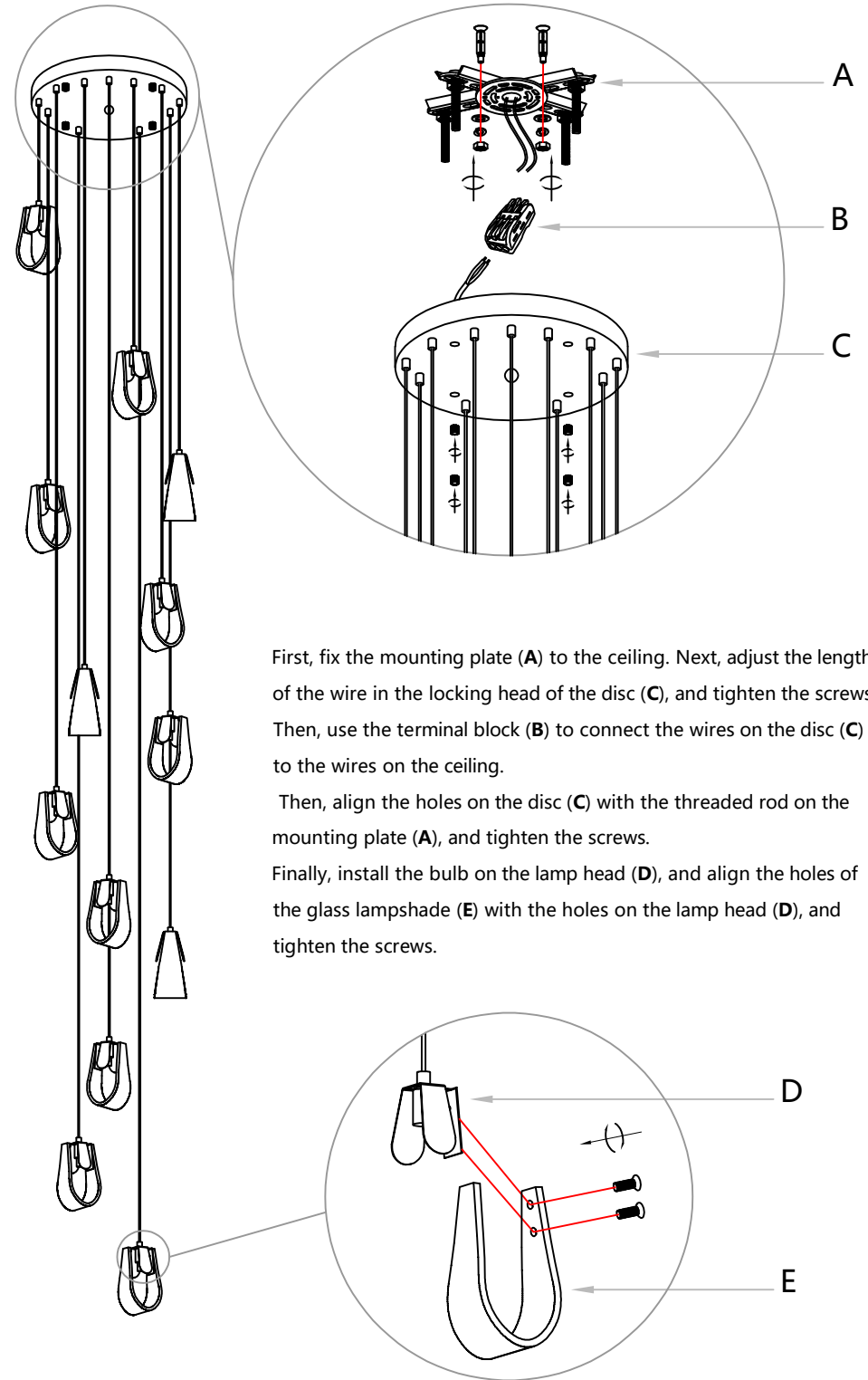
Use the terminal block to connect the wires on the disc to the wires on the ceiling.



Align the holes of the top cover with those of the mounting plate, and tighten the screws.



Install the bulb on the lamp head, and align the holes of the glass lampshade with the holes on the lamp head, and tighten the screws.



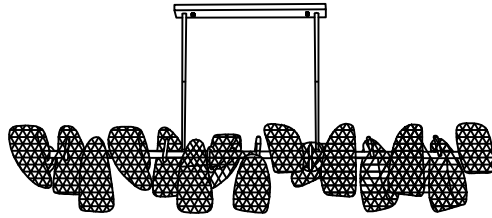
First, fix the mounting plate (A) to the ceiling. Next, adjust the length of the wire in the locking head of the disc (C), and tighten the screws. Then, use the terminal block (B) to connect the wires on the disc (C) to the wires on the ceiling.

Then, align the holes on the disc (C) with the threaded rod on the mounting plate (A), and tighten the screws.

Finally, install the bulb on the lamp head (D), and align the holes of the glass lampshade (E) with the holes on the lamp head (D), and tighten the screws.

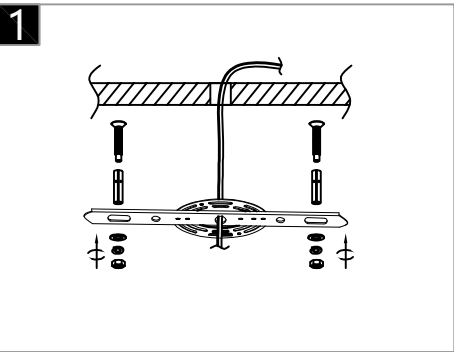
**Warning:**

This product must be installed by personnel who are familiar with its structure and related hazards, in accordance with the installation specifications. This product is suitable for indoor installation.

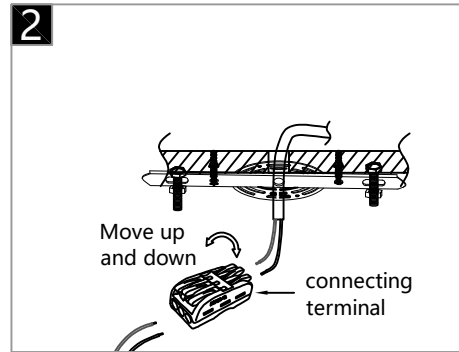


Product style diagram

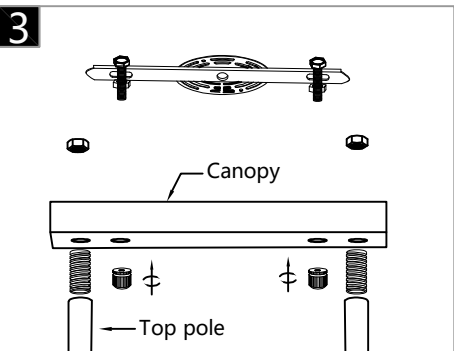
**Steps of installation**



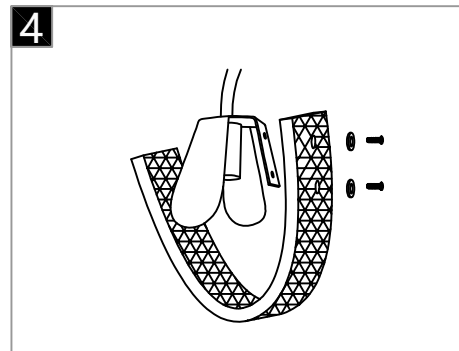
First, fix the expansion screws onto the ceiling, and then lock the mounting plate onto the screws.



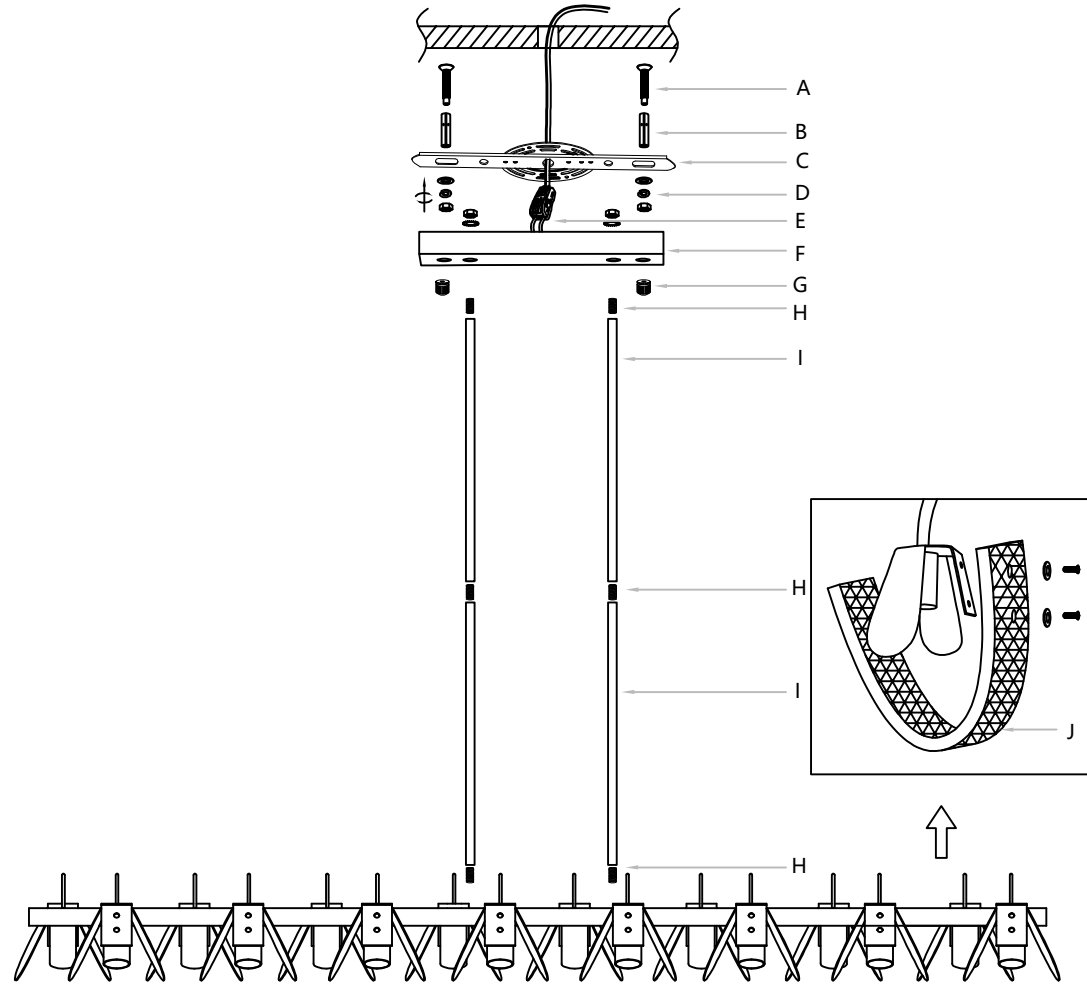
Connect the wires inside the luminaire and ceiling to the terminal, usually neutral wire (white), hot wire (black)



First, lock the top pole of the lamp body onto the canopy. Then, fix the entire lamp canopy onto the installation plate. Finally, secure the bottom of the canopy with wing nut screws.



Install the U-shaped glass sheet. Remember to place the gasket and then tighten the screws.



First, pass the lamp wire through the bottom rod (I) and the top rod (I) of the screw (H), then connect the bottom rod (I) together with the screw (H) to the lamp body, then connect the top rod (I) and the bottom rod (I) together, and finally connect the lamp body to the mounting plate (F). Then tighten the nut and washer inside the top cover (F). Next, insert the expansion screws in the ceiling, fix the mounting plate (C) to (A,B), lock it with nuts (D) and washers, connect the wires inside the lamp and the wires inside the ceiling to terminal (E), then install the top cover (F) on the mounting plate (C), lock it with a flower-shaped nut, and finally install the U-shaped lampshade (J) on the lamp. First insert the silicone gasket, then lock the lamp with self-tapping screws, thus completing the installation of the lamp.

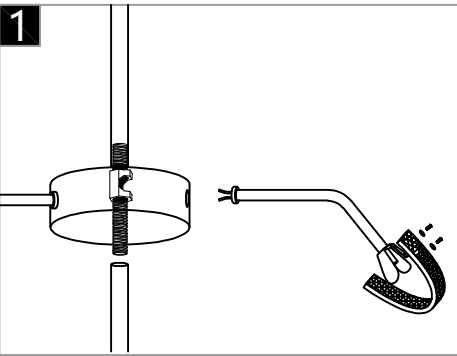
**Warning:**

This product must be installed by personnel who are familiar with its structure and related hazards, in accordance with the installation specifications. This product is suitable for indoor installation.

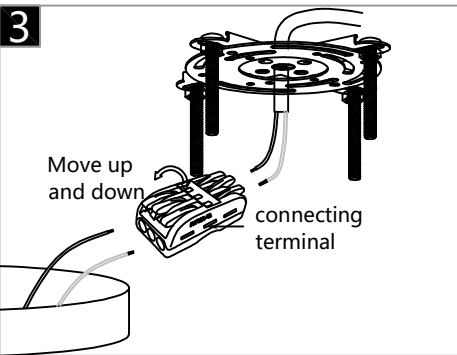


Product style diagram

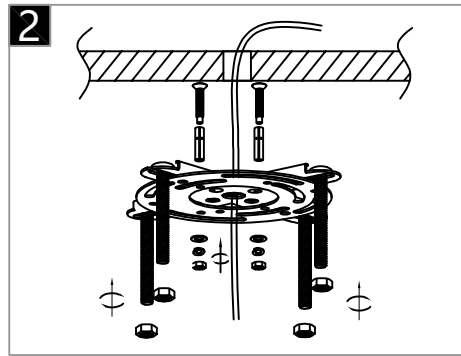
**Steps of installation**



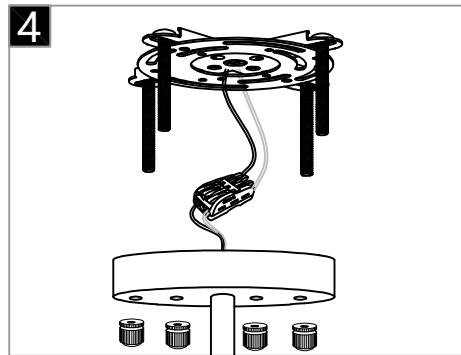
Install the lamp wall bracket onto the bottom cover, then connect the wires together by color, then pass them through the connector nuts and fix them onto the top cover. Finally, install the U-shaped glass sheet onto the lamp arm bracket.



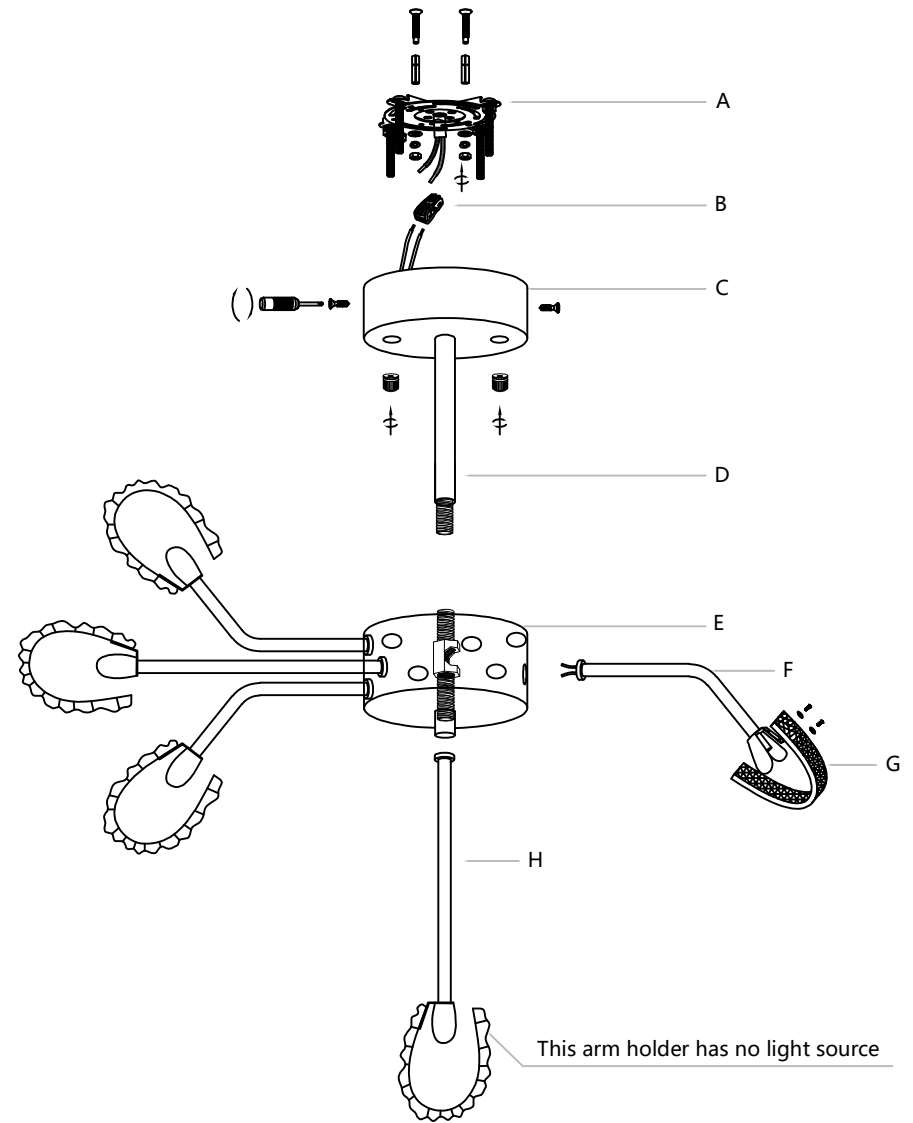
Connect the wires inside the luminaire and ceiling to the terminal, usually neutral wire (white), hot wire (black)



fix the expansion screws onto the ceiling, and then lock the mounting plate onto the screws.



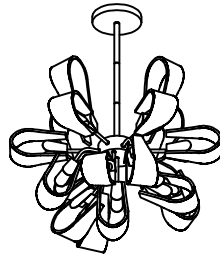
Align the top cover hole position on the luminaire with the screws on the mounting plate and then secure from the bottom using the nut.



Install the three lamp arm brackets (F) on the lamp body box (E), then attach the U-shaped glass sheet (G) to the lamp arm brackets (F), then install the lamp body box on the lamp body connecting rod (D), finally screw the lamp arm without a light source (H) onto the lamp body box (E), fix the mounting plate (A) to the ceiling with screws, connect the wires on the top cover (C) to the wiring terminals (B) on the ceiling, finally fix the top cover (C) onto the mounting plate (A), and tighten it with nuts.

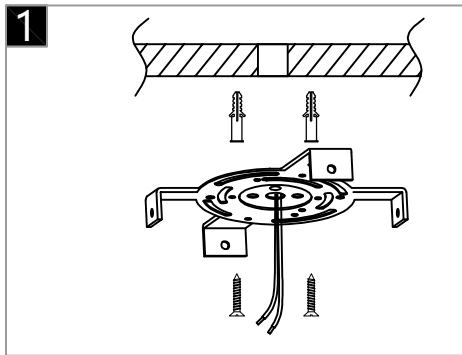
**Warning:**

This product must be installed by personnel who are familiar with its structure and related hazards, in accordance with the installation specifications. This product is suitable for indoor installation.

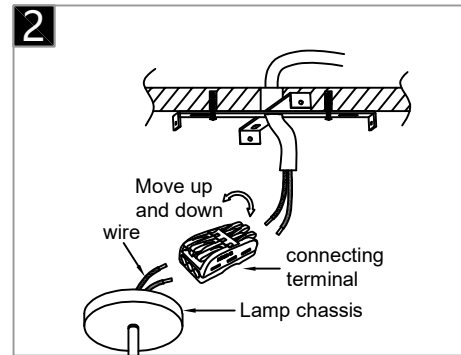


Product style diagram

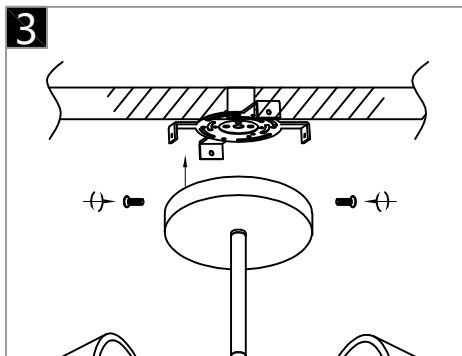
**Steps of installation**



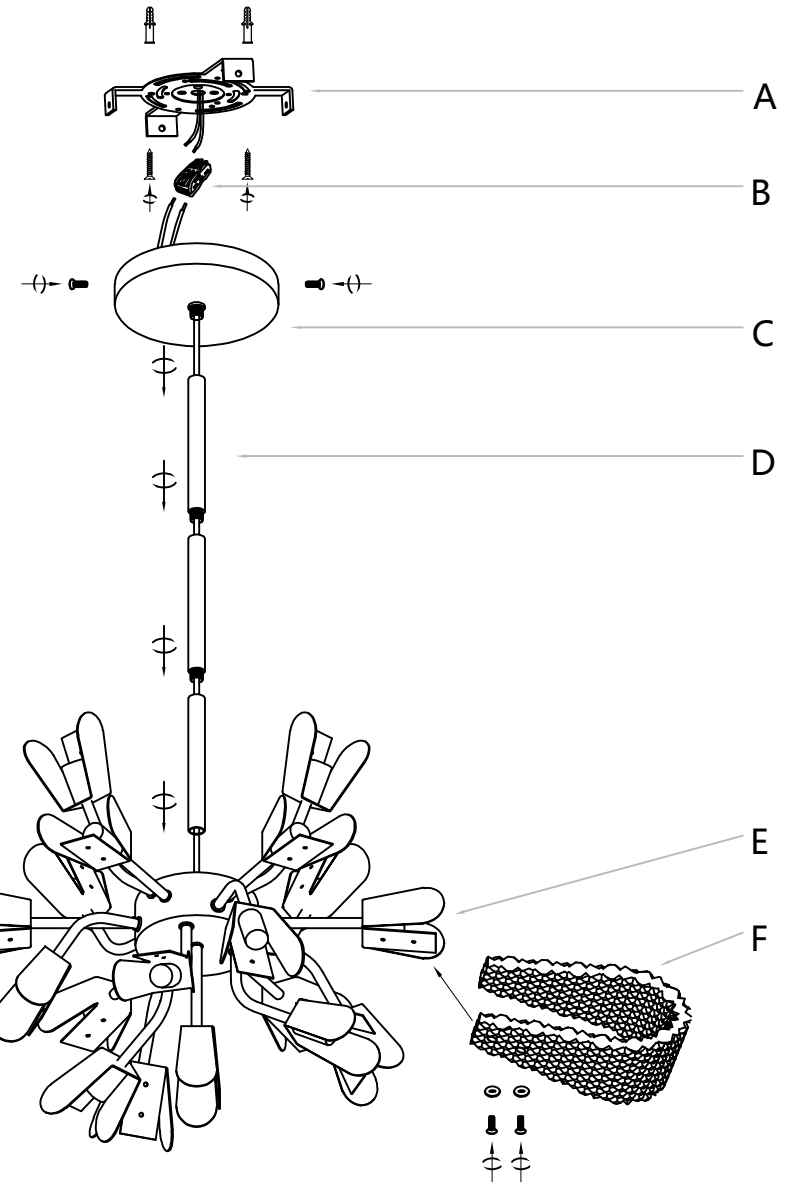
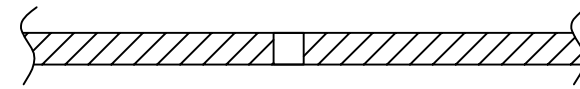
Attach the mounting plate to the ceiling.



Connect the wires of the top cover to those of the ceiling using the terminal block.



Align the holes of the top cover with those of the mounting plate, and tighten the screws.



First, assemble and connect the lamp body (E) and the top cover (C) using the lamp pole (D), and tighten it by rotating. Then, fix the mounting plate (A) on the ceiling. Next, use the terminal blocks (B) to connect the wires of the top cover (C) to the wires of the ceiling. After that, align the holes of the top cover (C) with those of the mounting plate (A), and tighten the screws. Then, align the holes of the glass lampshade (F) with those on the lamp body (E), and tighten the screws.

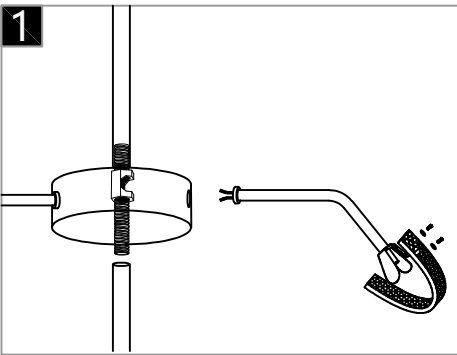
**Warning:**

This product must be installed by personnel who are familiar with its structure and related hazards, in accordance with the installation specifications. This product is suitable for indoor installation.

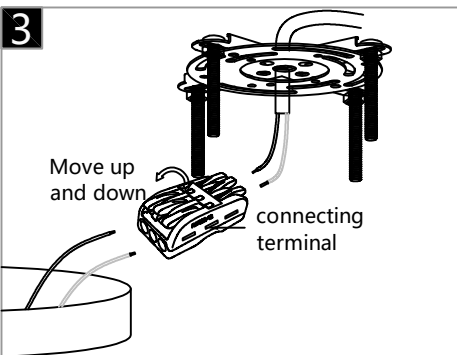


Product style diagram

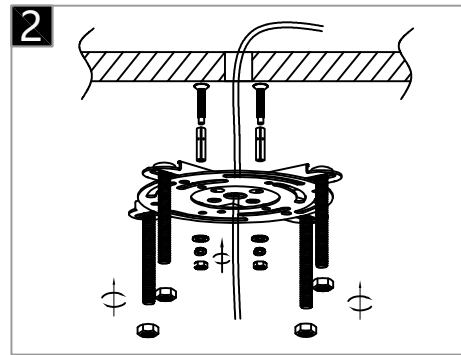
**Steps of installation**



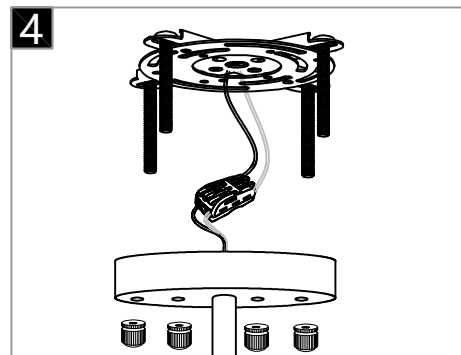
Install the lamp wall bracket onto the bottom cover, then connect the wires together by color, then pass them through the connector nuts and fix them onto the top cover. Finally, install the U-shaped glass sheet onto the lamp arm bracket.



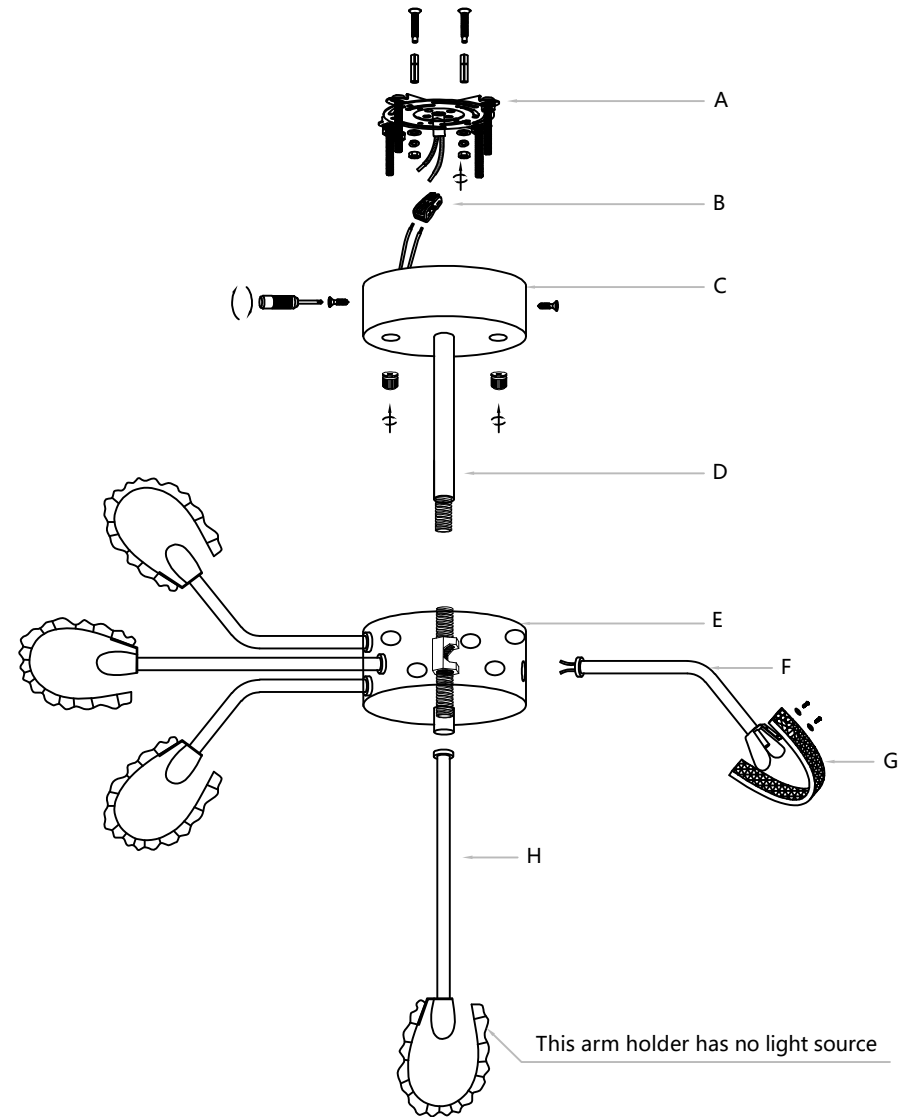
Connect the wires inside the luminaire and ceiling to the terminal, usually neutral wire (white), hot wire (black)



fix the expansion screws onto the ceiling, and then lock the mounting plate onto the screws.



Align the top cover hole position on the luminaire with the screws on the mounting plate and then secure from the bottom using the nut.



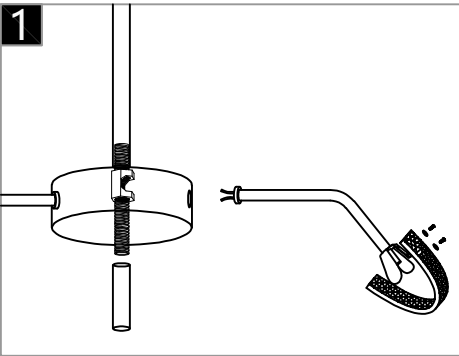
Install the three lamp arm brackets (F) on the lamp body box (E), then attach the U-shaped glass sheet (G) to the lamp arm brackets (F), then install the lamp body box on the lamp body connecting rod (D), finally screw the lamp arm without a light source (H) onto the lamp body box (E), fix the mounting plate (A) to the ceiling with screws, connect the wires on the top cover (C) to the wiring terminals (B) on the ceiling, finally fix the top cover (C) onto the mounting plate (A), and tighten it with nuts.

**Warning:**  
This product must be installed by personnel who are familiar with its structure and related hazards, in accordance with the installation specifications. This product is suitable for indoor installation.

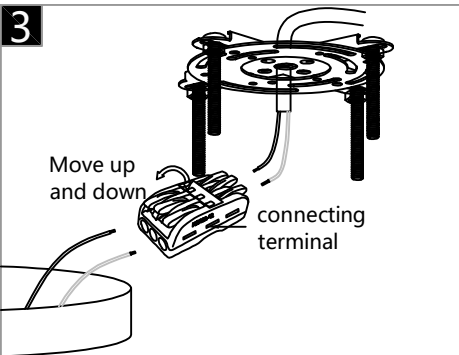


Product style diagram

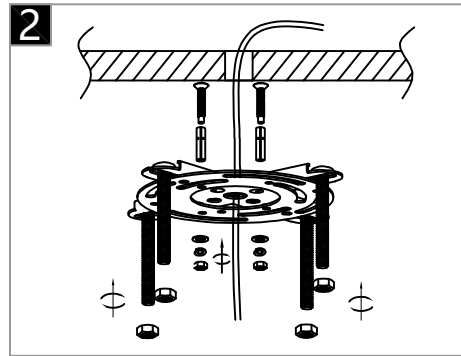
## Steps of installation



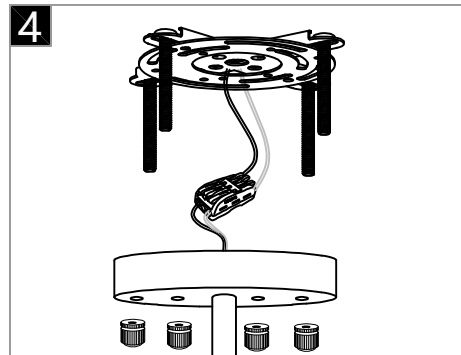
Install the lamp wall bracket onto the bottom cover, then connect the wires together by color, then pass them through the connector nuts and fix them onto the top cover. Finally, install the U-shaped glass sheet onto the lamp arm bracket.



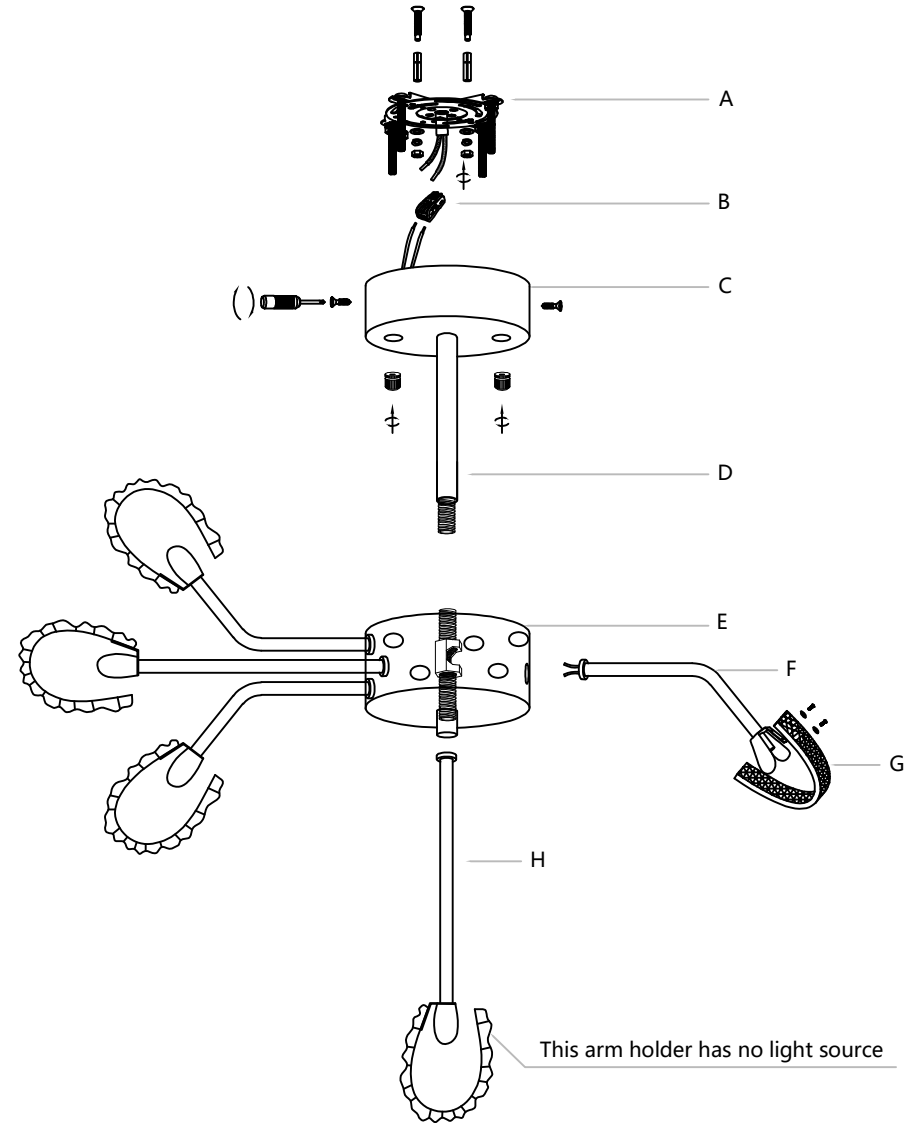
Connect the wires inside the luminaire and ceiling to the terminal, usually neutral wire (white), hot wire (black)



fix the expansion screws onto the ceiling, and then lock the mounting plate onto the screws.



Align the top cover hole position on the luminaire with the screws on the mounting plate and then secure from the bottom using the nut.



Install the three lamp arm brackets (F) on the lamp body box (E), then attach the U-shaped glass sheet (G) to the lamp arm brackets (F), then install the lamp body box on the lamp body connecting rod (D), finally screw the lamp arm without a light source (H) onto the lamp body box (E), fix the mounting plate (A) to the ceiling with screws, connect the wires on the top cover (C) to the wiring terminals (B) on the ceiling, finally fix the top cover (C) onto the mounting plate (A), and tighten it with nuts.