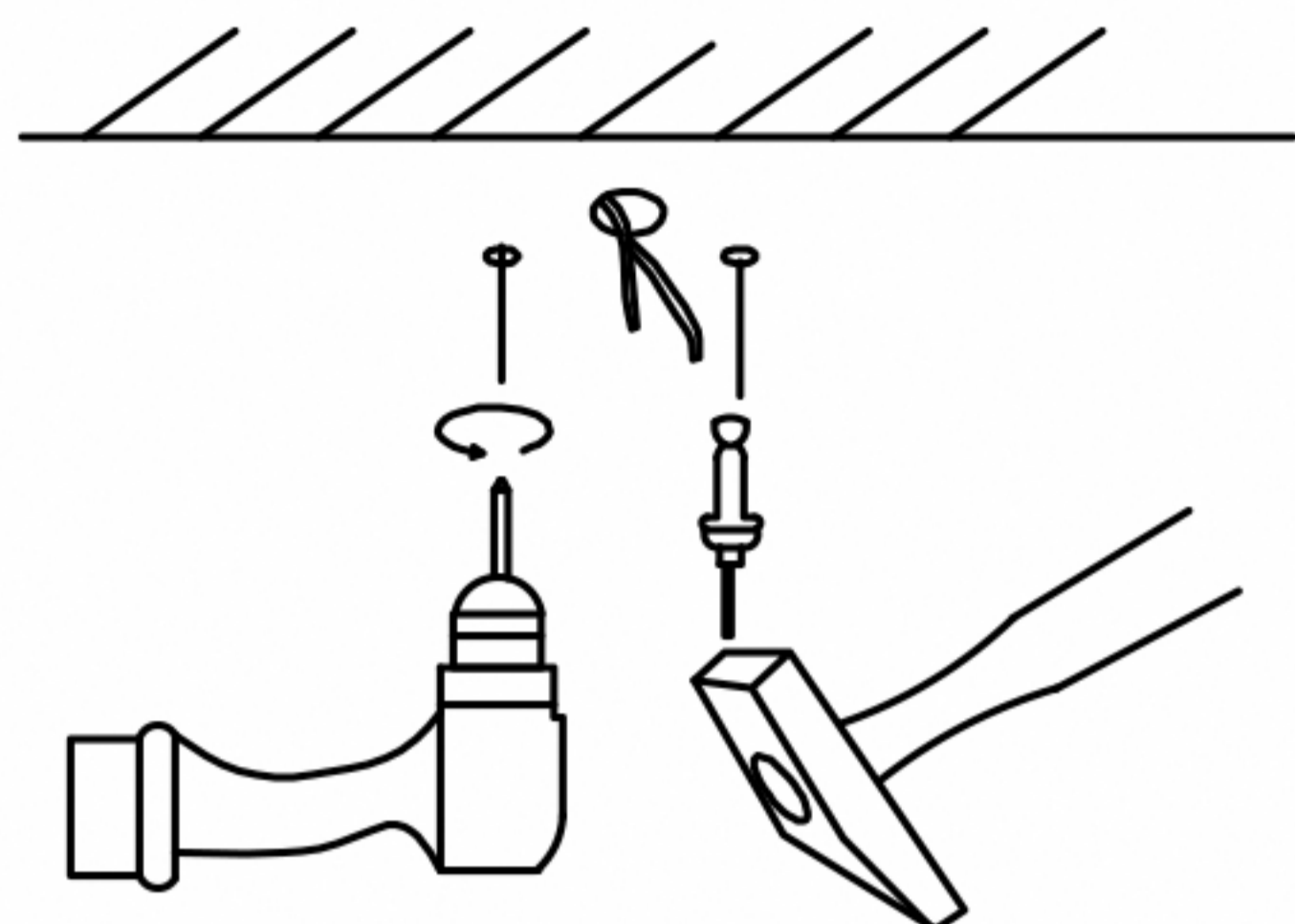


INSTALLATION GUIDE - WM2213C

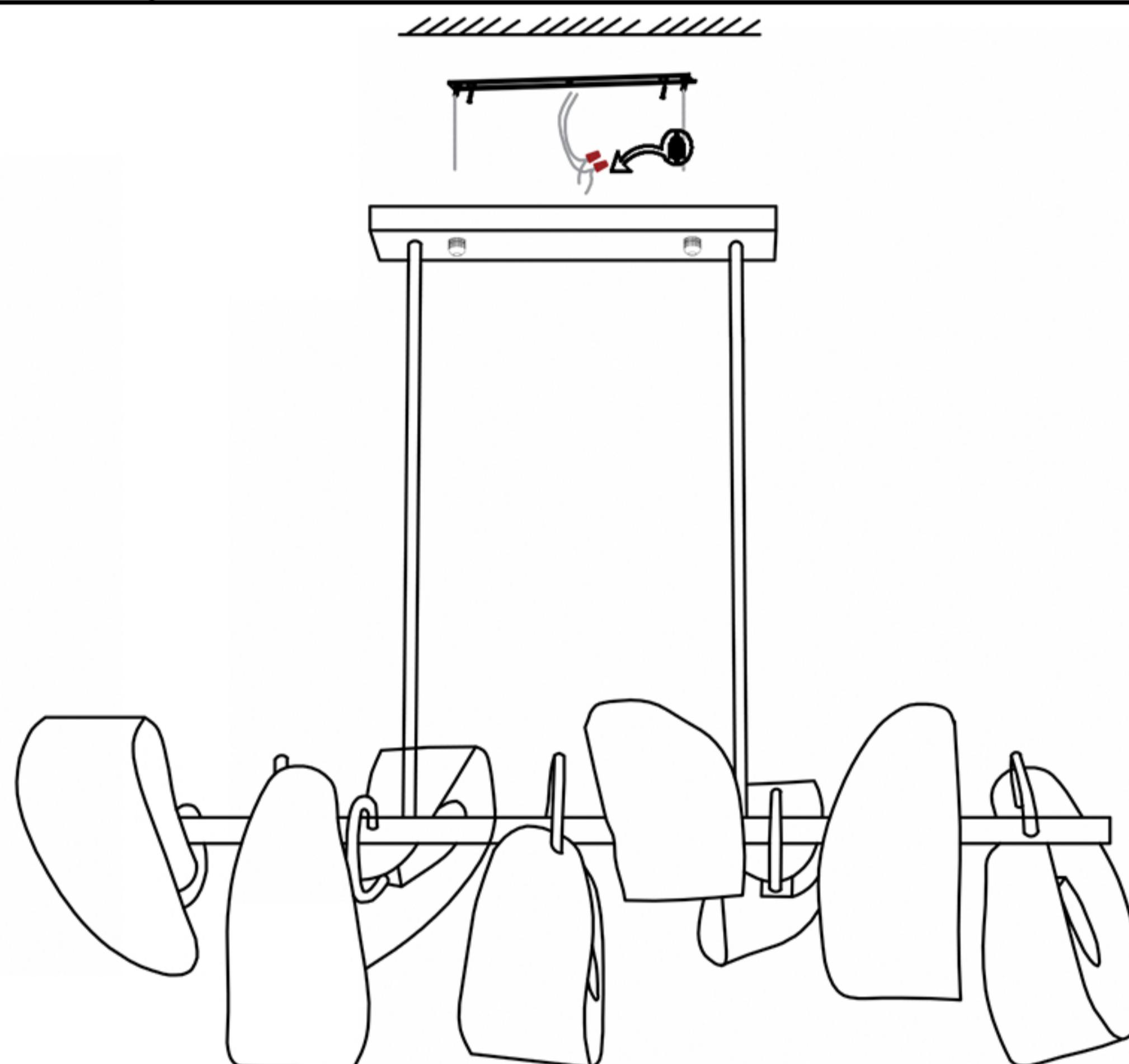
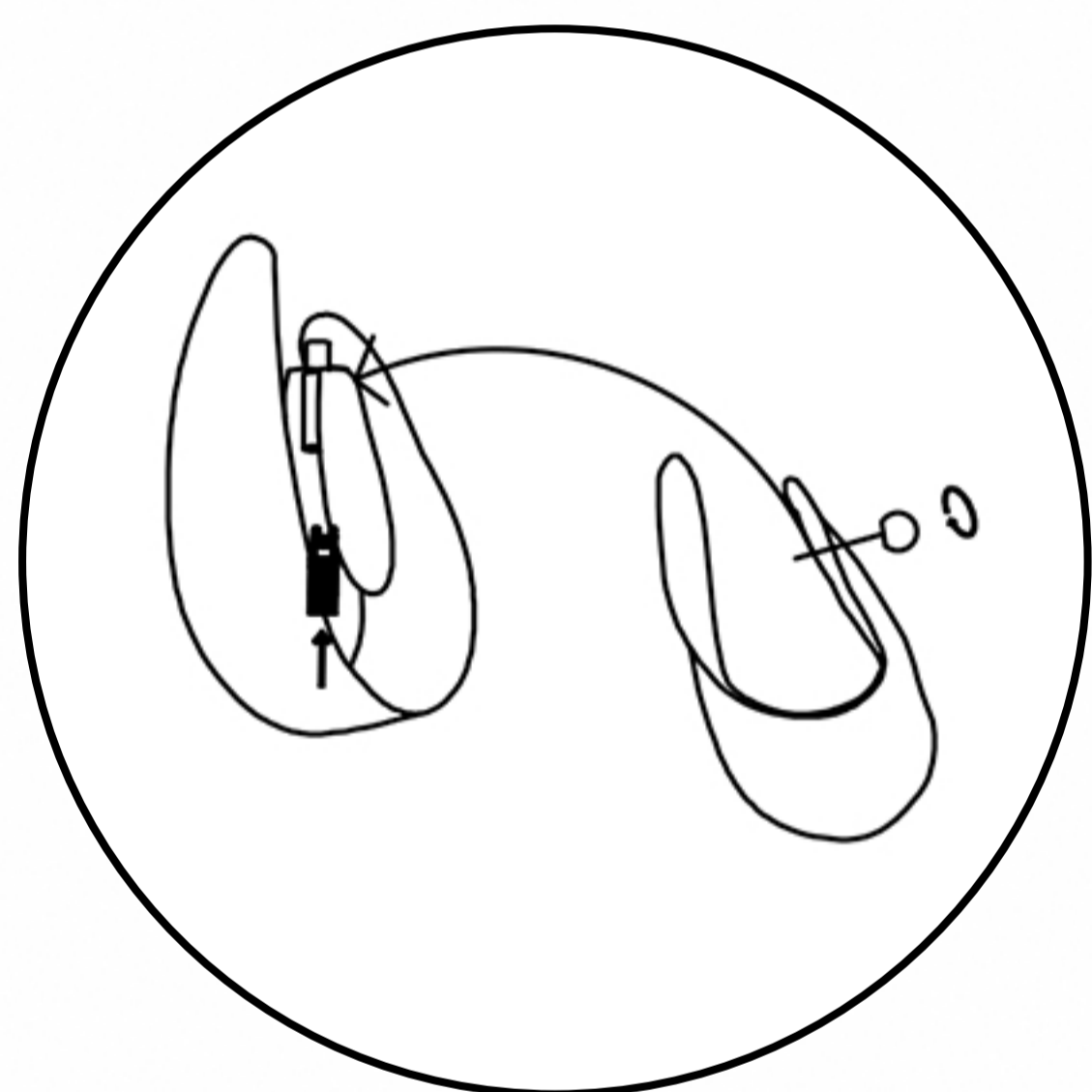
1



2



3



1. Fix the mounting bracket on the ceiling with screws.
2. Put the downrod, arms and holder together with nuts.
3. Use the wire connector to connect the wires of the light to the reserved wires according to labels on the wires.
4. Align the canopy screw holes with the mounting brackets and secure the canopy with screws.
5. Screw bulbs up into the arms and attach lampshades to the arms with screws.
6. Turn the power back on and flip on the light switch to test your light.