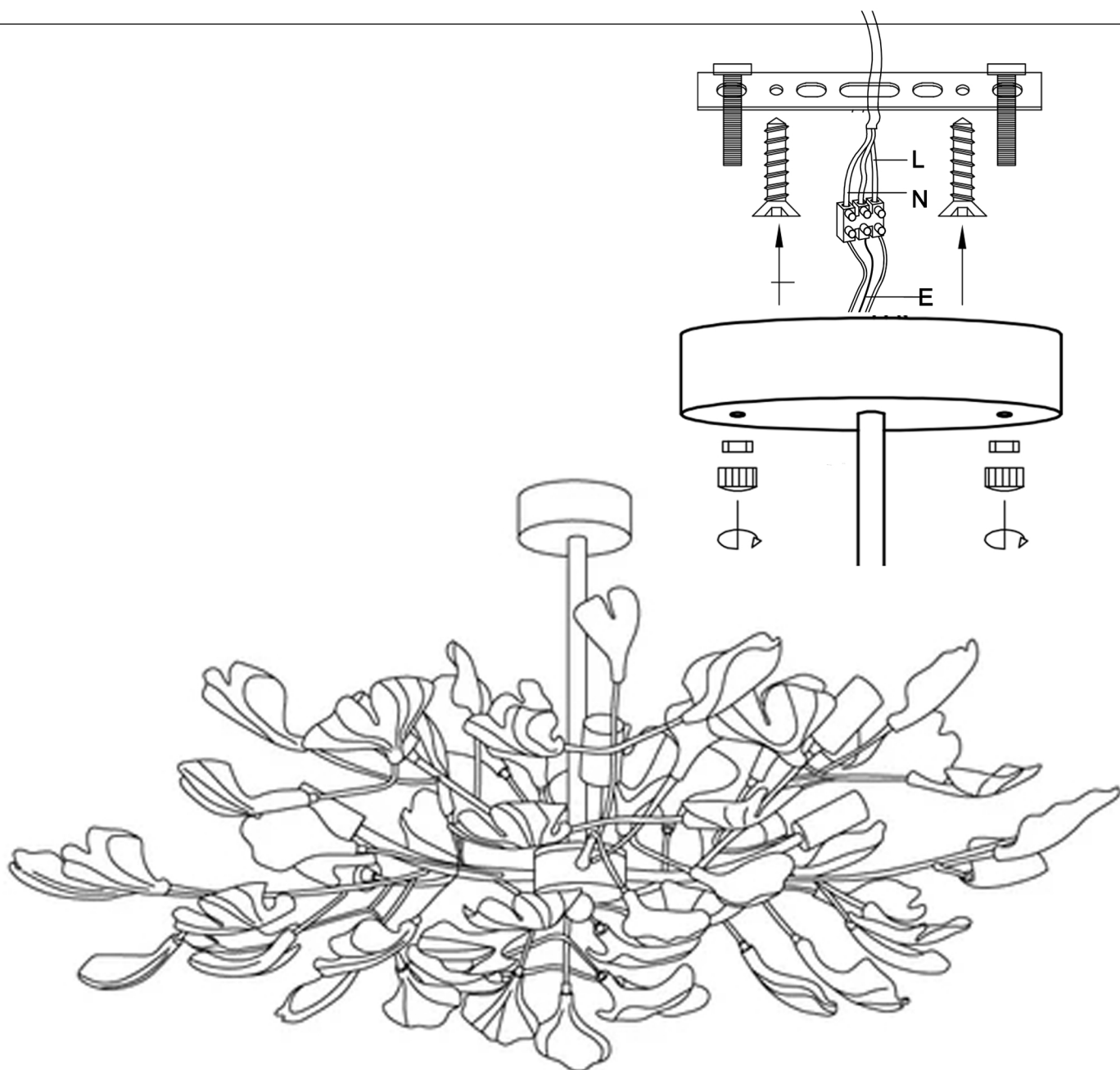


INSTALLATION GUIDE - WM2205



- 1. Drill the mounting bracket into the ceiling with screws and anchor bolts (these come with the light).**
- 2. Use the wire connector to connect the wires of the light to the supply wires according to labels on the wires.**
- 3. Align holes of the canopy with the mounting bracket and secure the canopy with bolts and nuts.**
- 4. Attach the branches to the holder with nuts and insert the ginkgo leaves into the branches.**
- 5. Turn the power back on and flip on the light switch to test your light.**