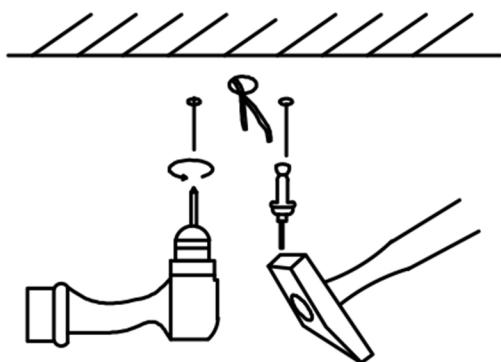
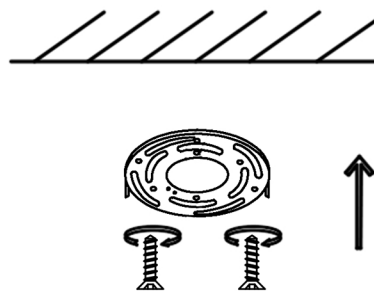


INSTALLATION GUIDE - WM2160

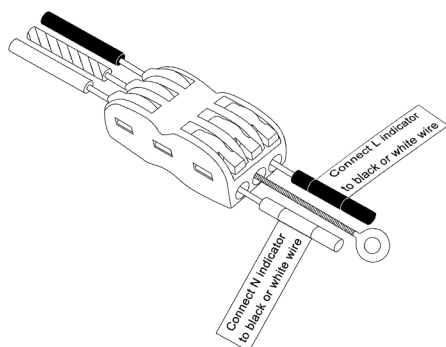
1



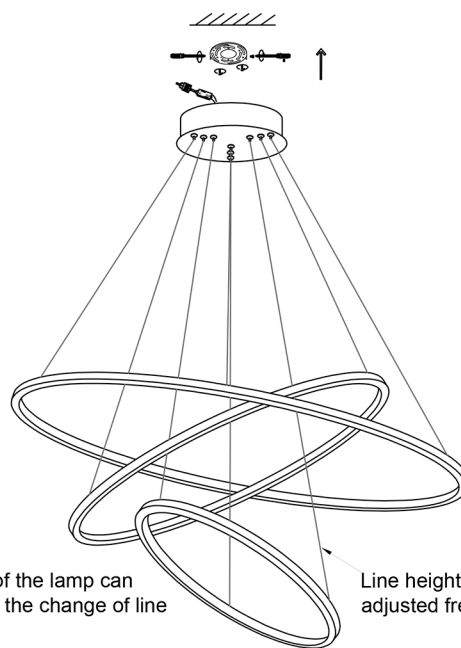
2



3



4



1. Drill the mounting bracket into the ceiling with screws and anchor bolts (these come with the light).
2. Use the wire connector to connect the wires of the light to the supply wires according to labels on the wires.
3. Align holes of the canopy with the mounting bracket and secure the canopy with screws.
4. Turn the power back on and flip on the light switch to test your light.