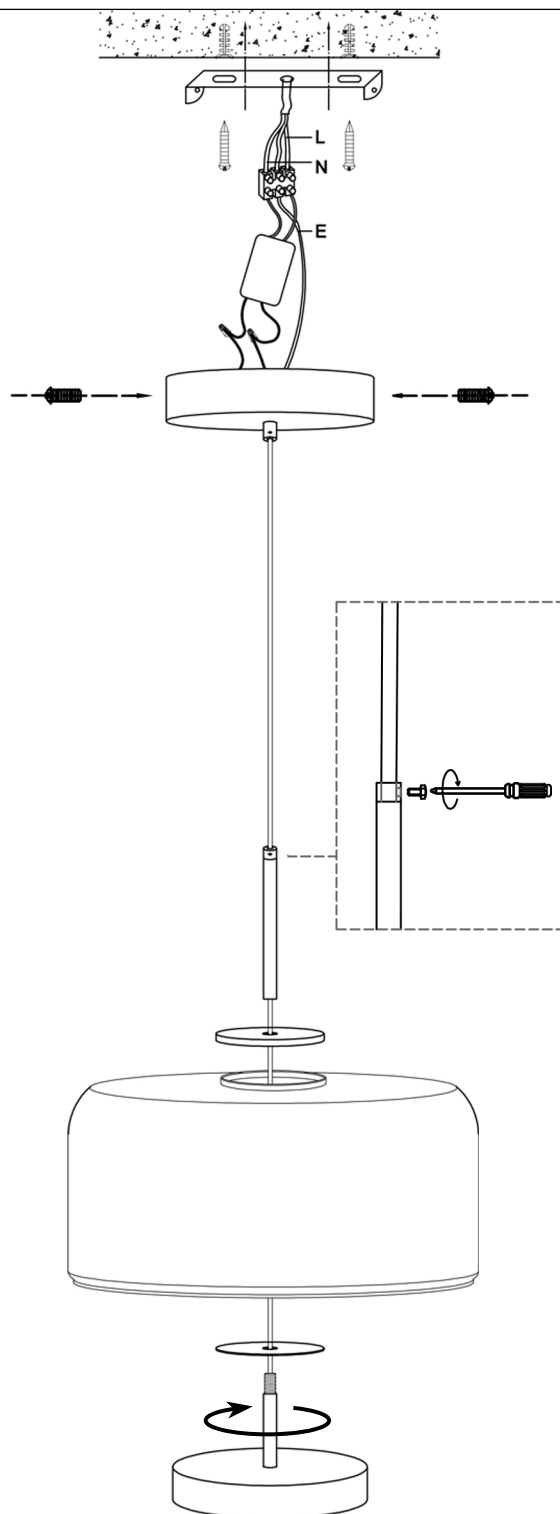


# INSTALLATION GUIDE - WM2145



- 1. Screw the shorter tube into the bulb, put the lampshade, washer, cover shorter tube and longer tube shown as above, and clamp the wire with screw.**
- 2. Drill the mounting bracket into the ceiling with screws and anchor bolts.**
- 3. Use the wire connector to connect the wires of the light to the supply wires according to labels on the wires.**
- 4. Align holes of the canopy with the mounting bracket and secure the canopy with bolts and nuts.**