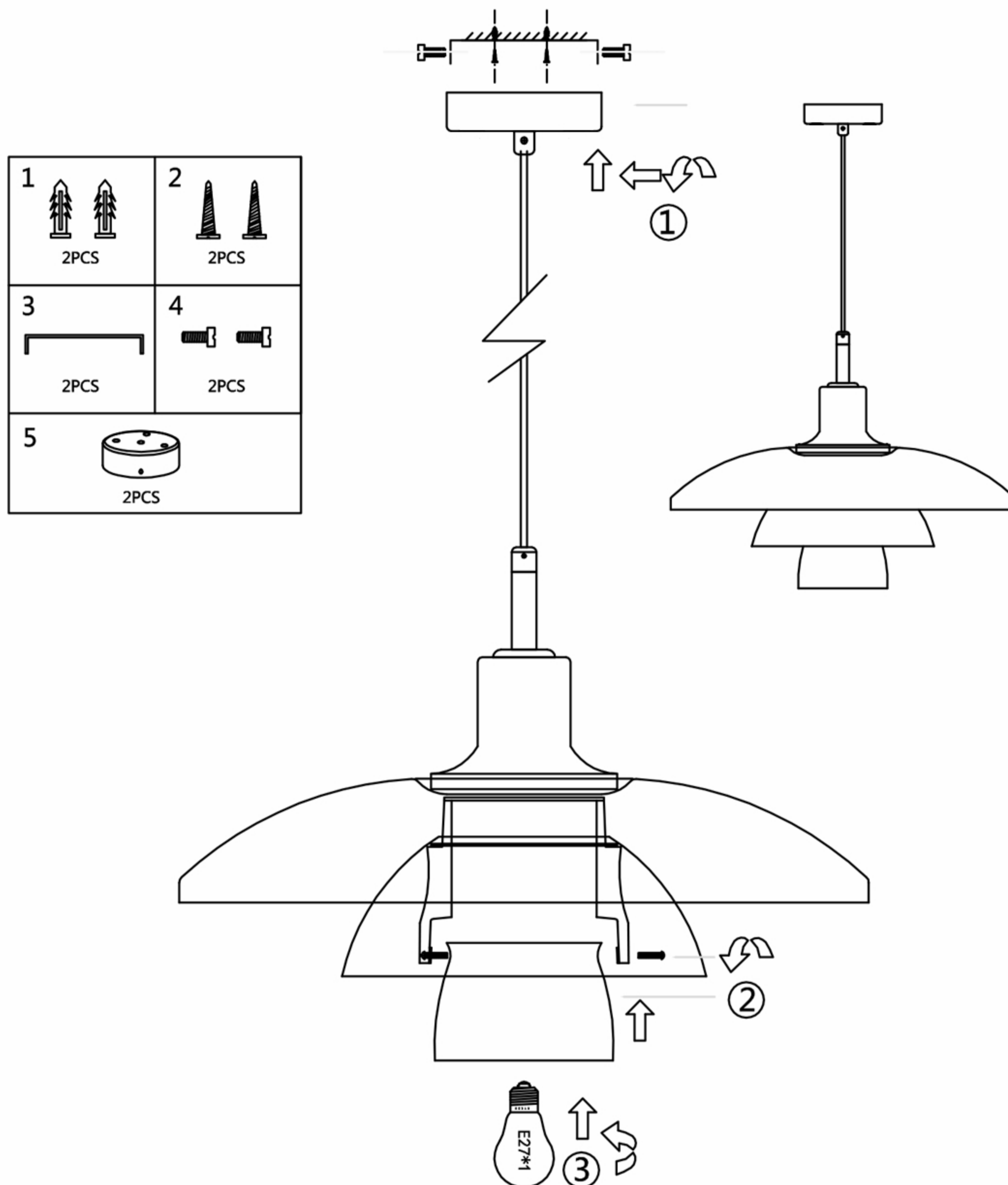


INSTALLATION GUIDE - WM2116



1. Attach the mounting bracket to the ceiling box with screws.
2. Use the wire connector to connect the wires of the light to the reserved wires according to labels on the wires.
3. Align the canopy screw holes with the mounting brackets and secure the base with screws.
4. Turn the power back on and flip on the light switch to test your light.