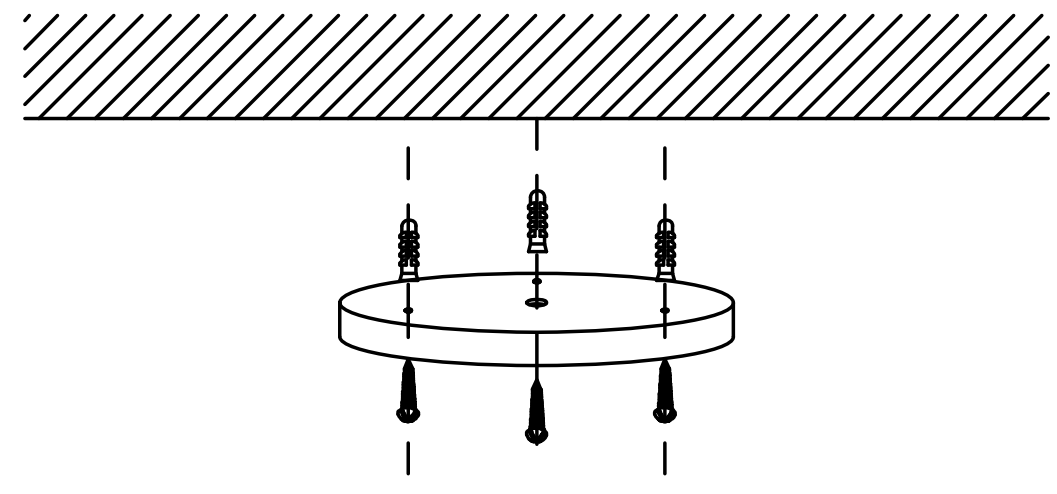
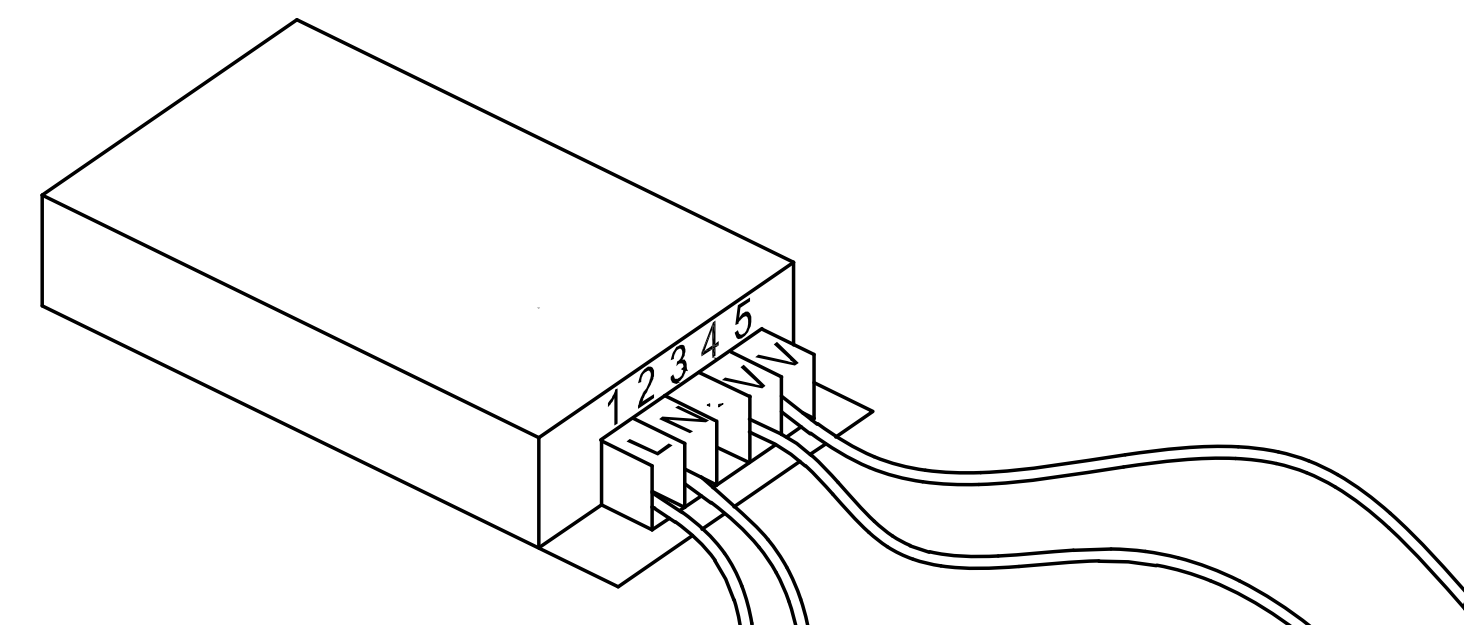


Firefly installation



NO.1

Fix the hanging board in the ceiling first

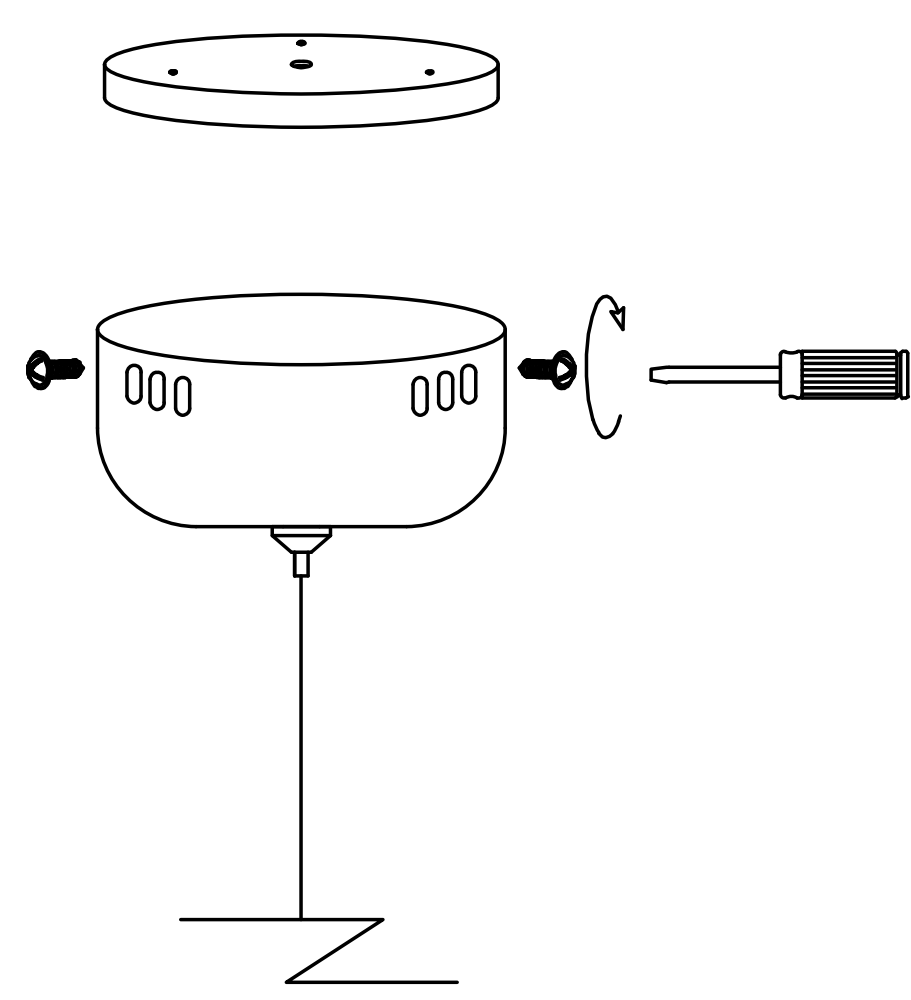


1 and 2(L.N)
Connect the power cord

4 and 5
Connect the firefly lamp

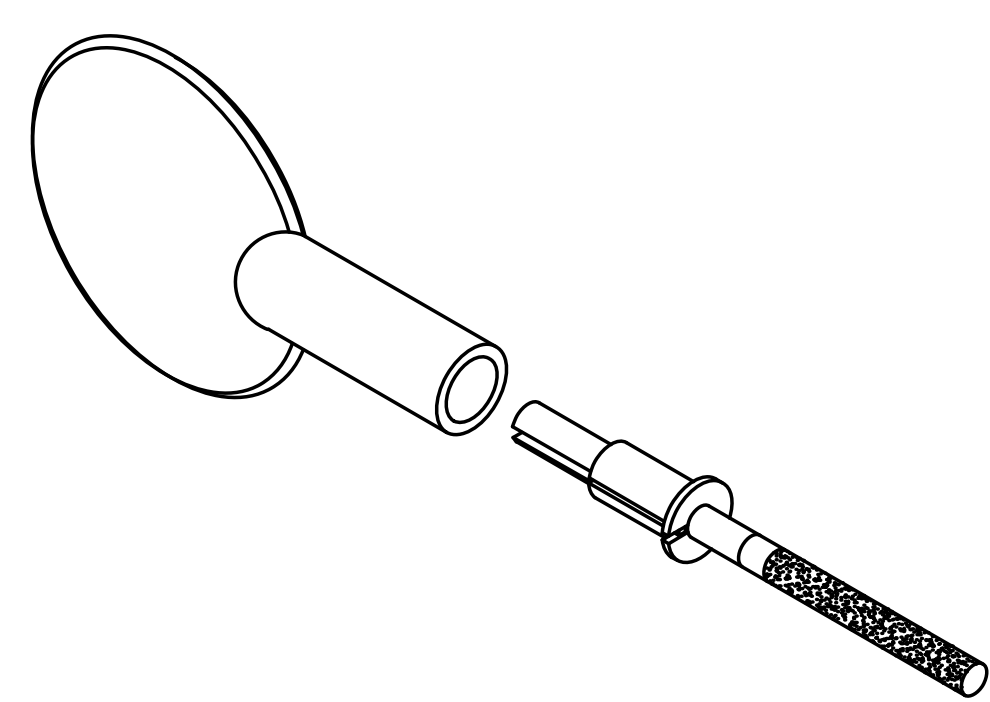
NO.2

Connect the firefly transformer
L and N to the power supply



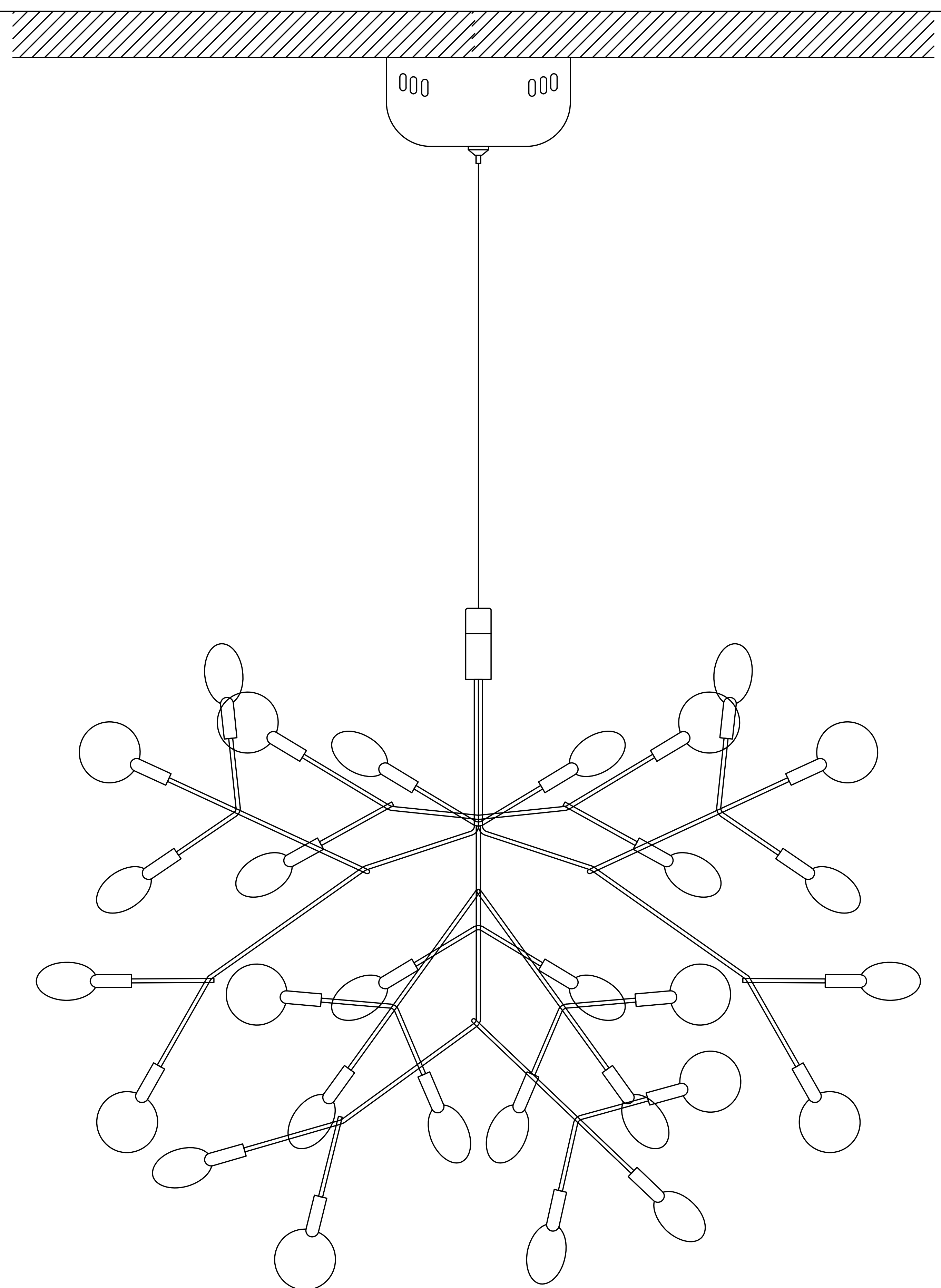
NO.3

Intall the suction top plate
on the hanging board



NO.4

Insert the firefly leaves on the
lamp beads



Notice

1.Voltage: 100–240V

2.Make sure to cut off the power before installation

3.Put on the gloves.it is not allowed to bo tonched
by the corrosives

4.Make sure the place where it will be put is firm