

# Installation procedure

## Crystal ball



1



10cm\*8



Washers\*6



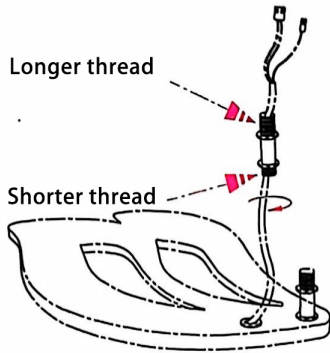
10cm\*1



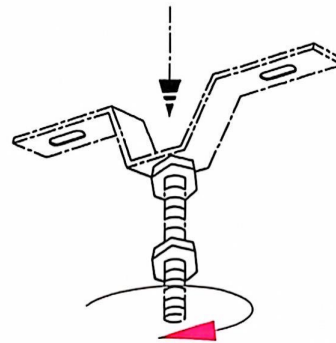
10cm\*1



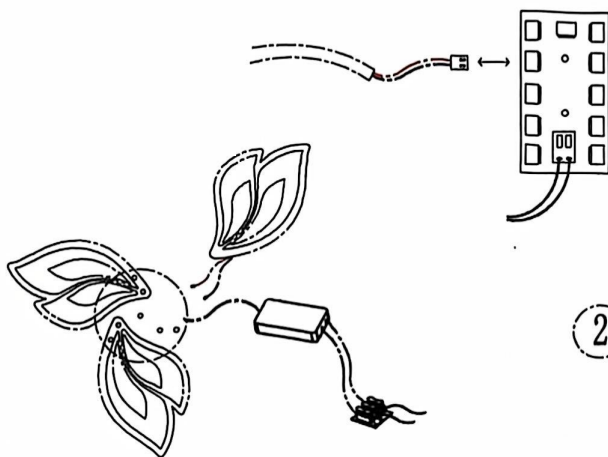
1



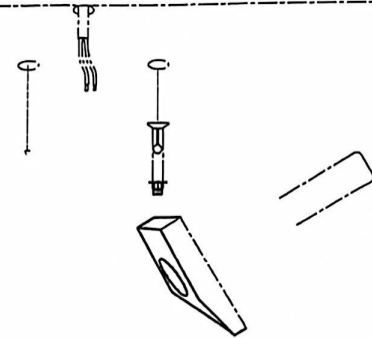
1



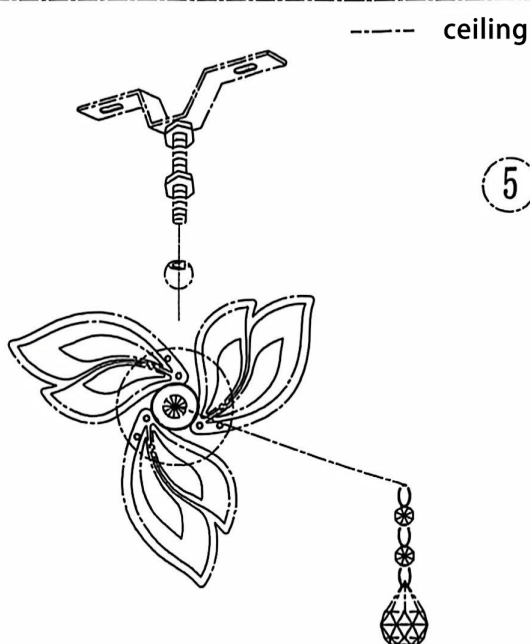
3



2



4



5

## Installation Steps

1. Screw the threaded tube into the lampshade from the short end.
2. Fix the lampshade on the fixture with screws in sequence, and insert the power cord plug into the terminal block (if there is color distinction, plug in according to the corresponding color) Light it up once first and then install it on the ceiling.
3. Keep the distance between the screws consistent with the distance between the holes on the fixture, and fix the screws on the mounting bracket.
4. Drill holes, knock expansion screws or self-tapping screws into the holes, and fix the mounting bracket to the ceiling.
5. Hang the crystal ball on the fixture.

# CEILING LIGHT INSTALLATION GUIDE

## Crystal ball



10cm\*10



Washers\*10



6cm\*2



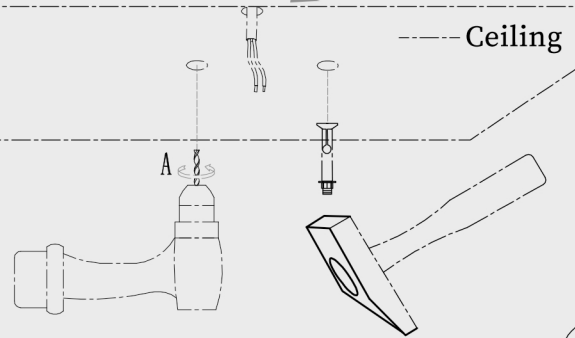
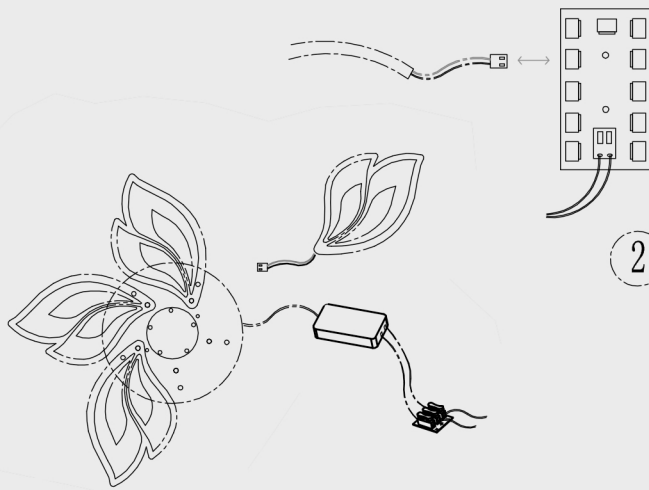
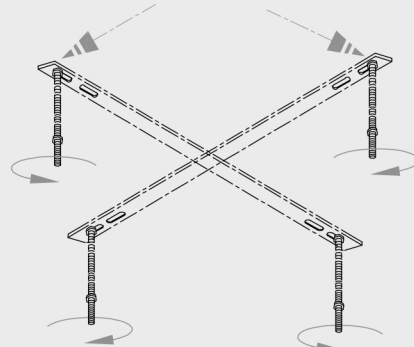
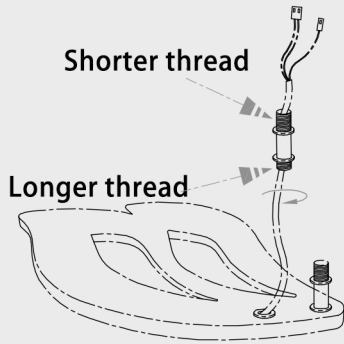
6cm\*4



10cm\*2



1



## Installation Steps

1. Screw the threaded tube into the lampshade from the short end.
2. Fix the lampshade on the fixture with screws in sequence, and insert the power cord plug into the terminal block (if there is color distinction, plug in according to the corresponding color) Light it up once first and then install it on the ceiling.
3. Keep the distance between the screws consistent with the distance between the holes on the fixture, and fix the screws on the mounting bracket.
4. Drill holes, knock expansion screws or self-tapping screws into the holes, and fix the mounting bracket to the ceiling.
5. Hang the crystal ball on the fixture.