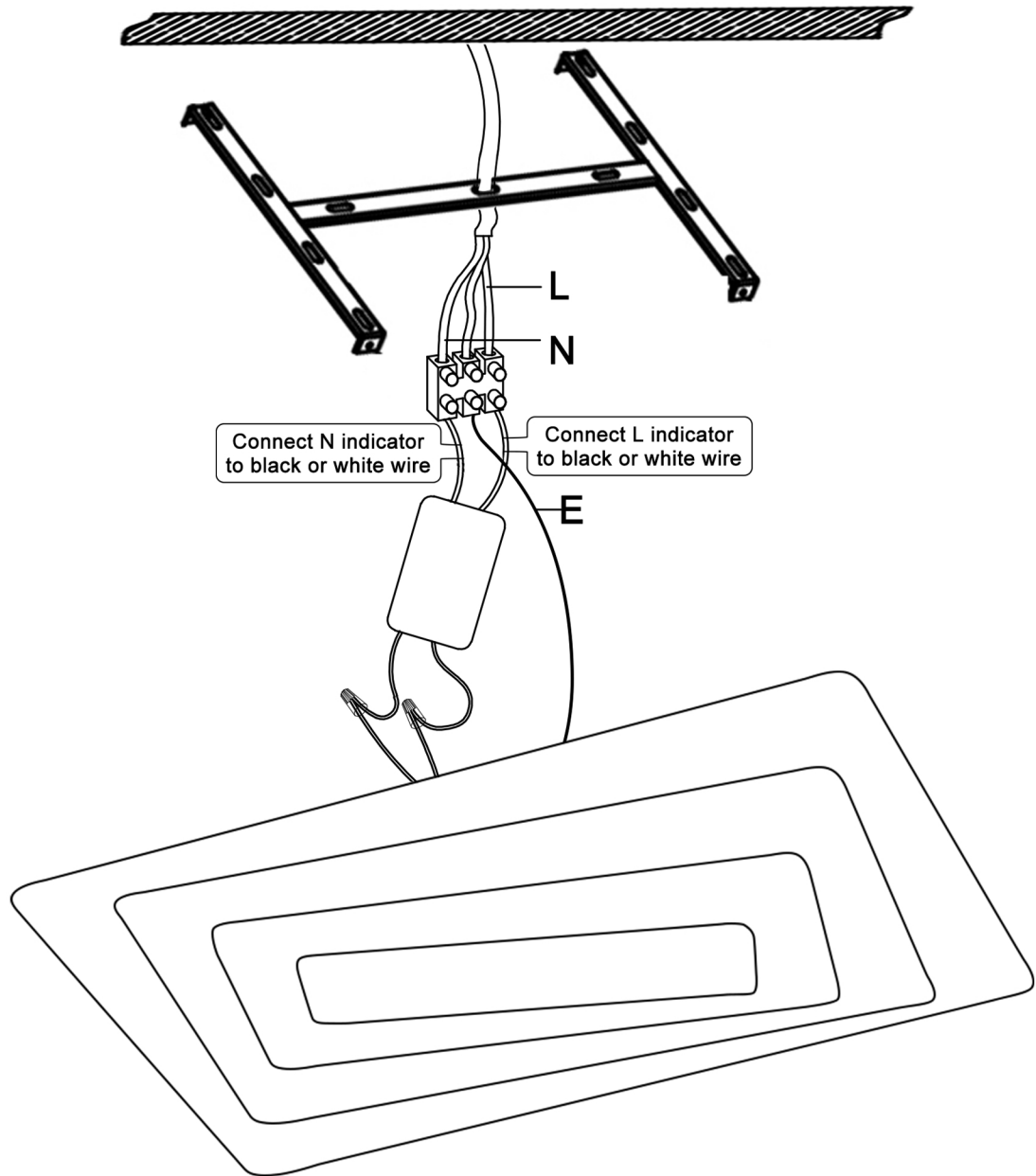


INSTALLATION GUIDE - WM1084



- 1. Drill the mounting bracket into the ceiling with screws and even anchors.**
- 2. Use the wire connector to connect the drivers to the supply wires as indicated on the labels.**
- 3. Attach the light to mounting bracket with screws.**
- 4. Turn the power back on and flip on the light switch to test your light.**