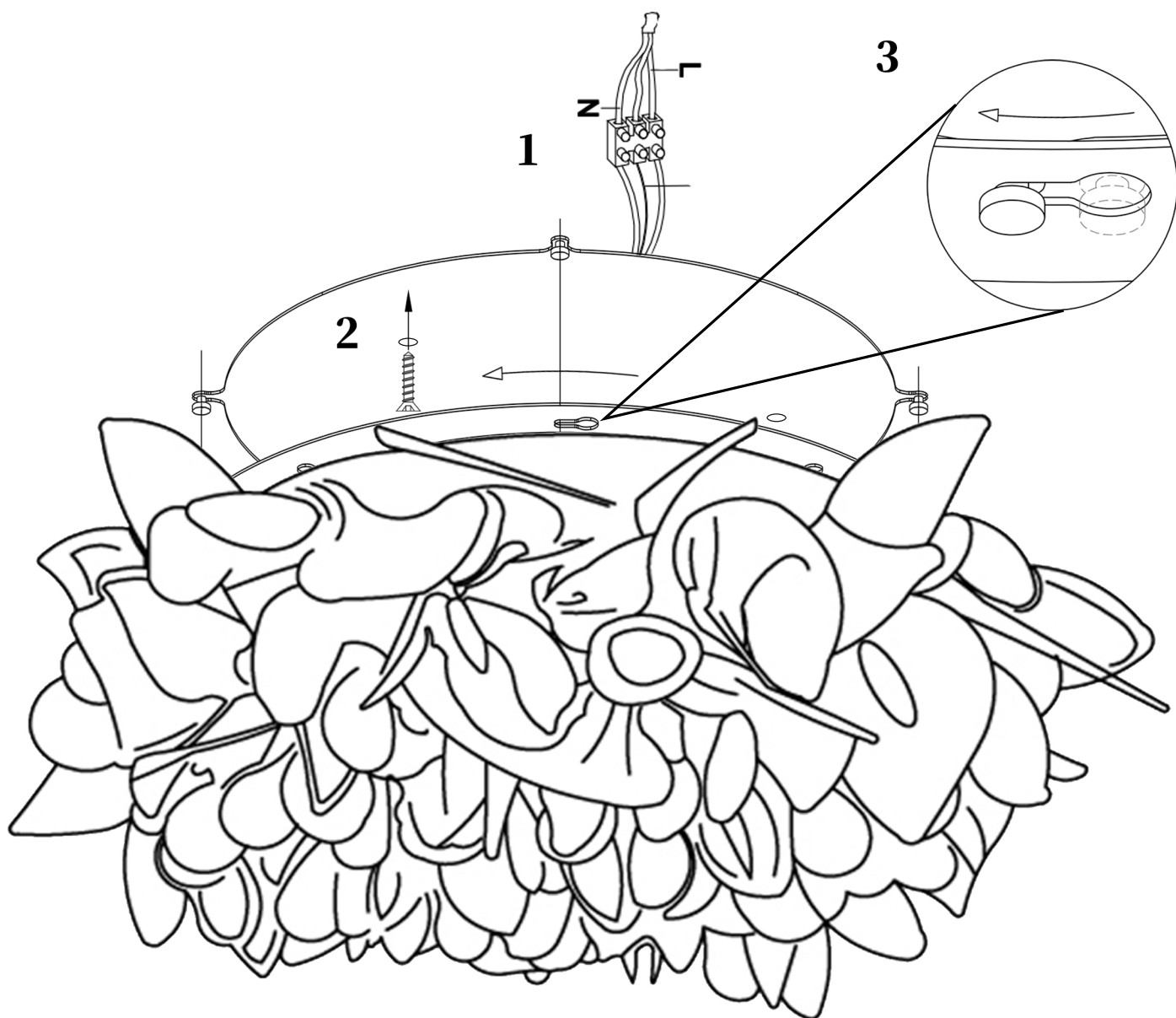


INSTALLATION GUIDE - WM1039



- 1. Use the wire connector to connect the wires of the light to the supply wires according to labels on the wires.**
- 2. Drill the mounting bracket into the ceiling with screws and wedge anchors (these come with the light), the mounting bracket integrated with led panel.**
- 3. Align holes of the canopy with ears of the mounting bracket and turn round to secure the canopy.**
- 4. Turn the power back on and flip on the light switch to test your light.**