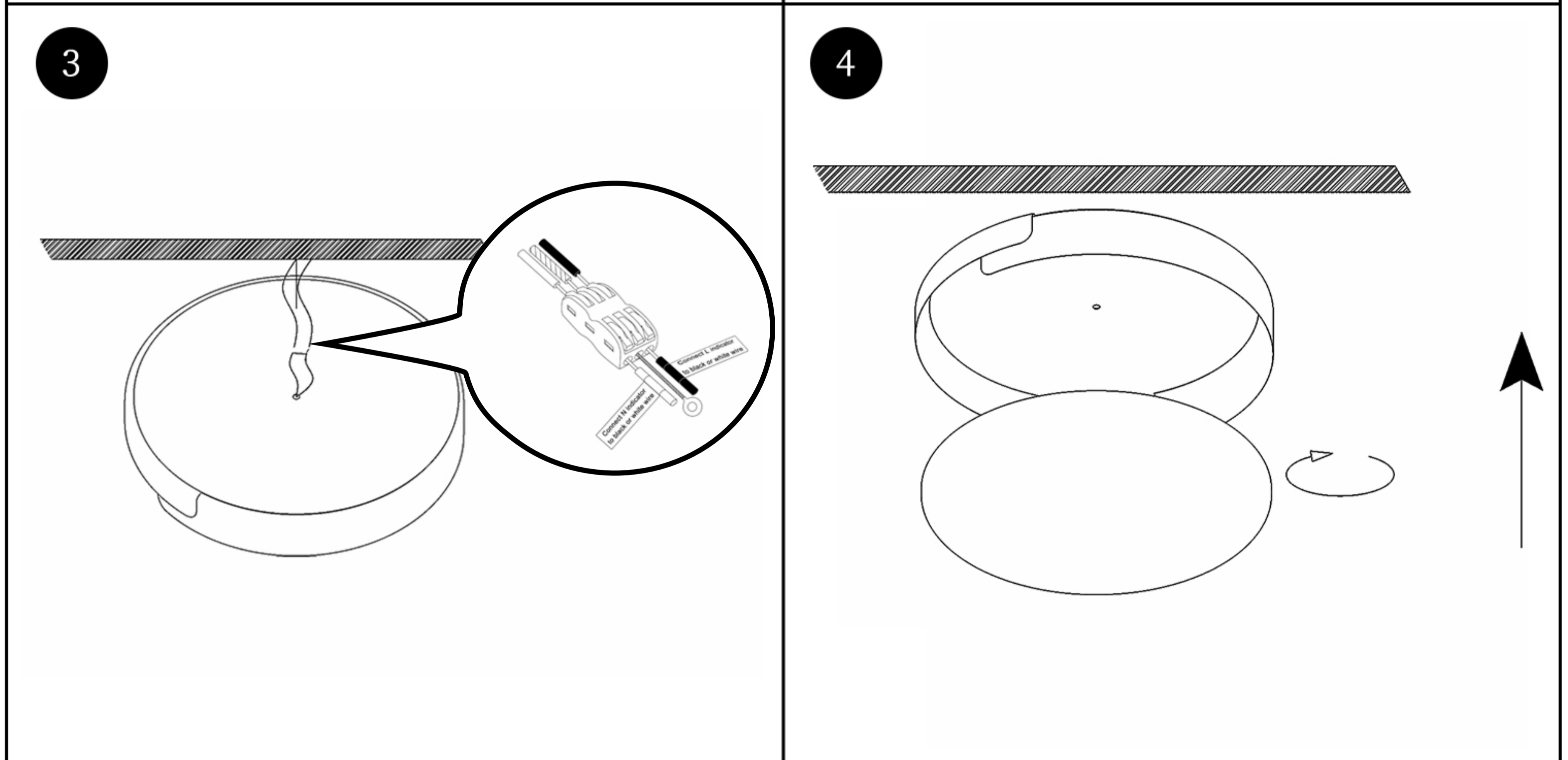
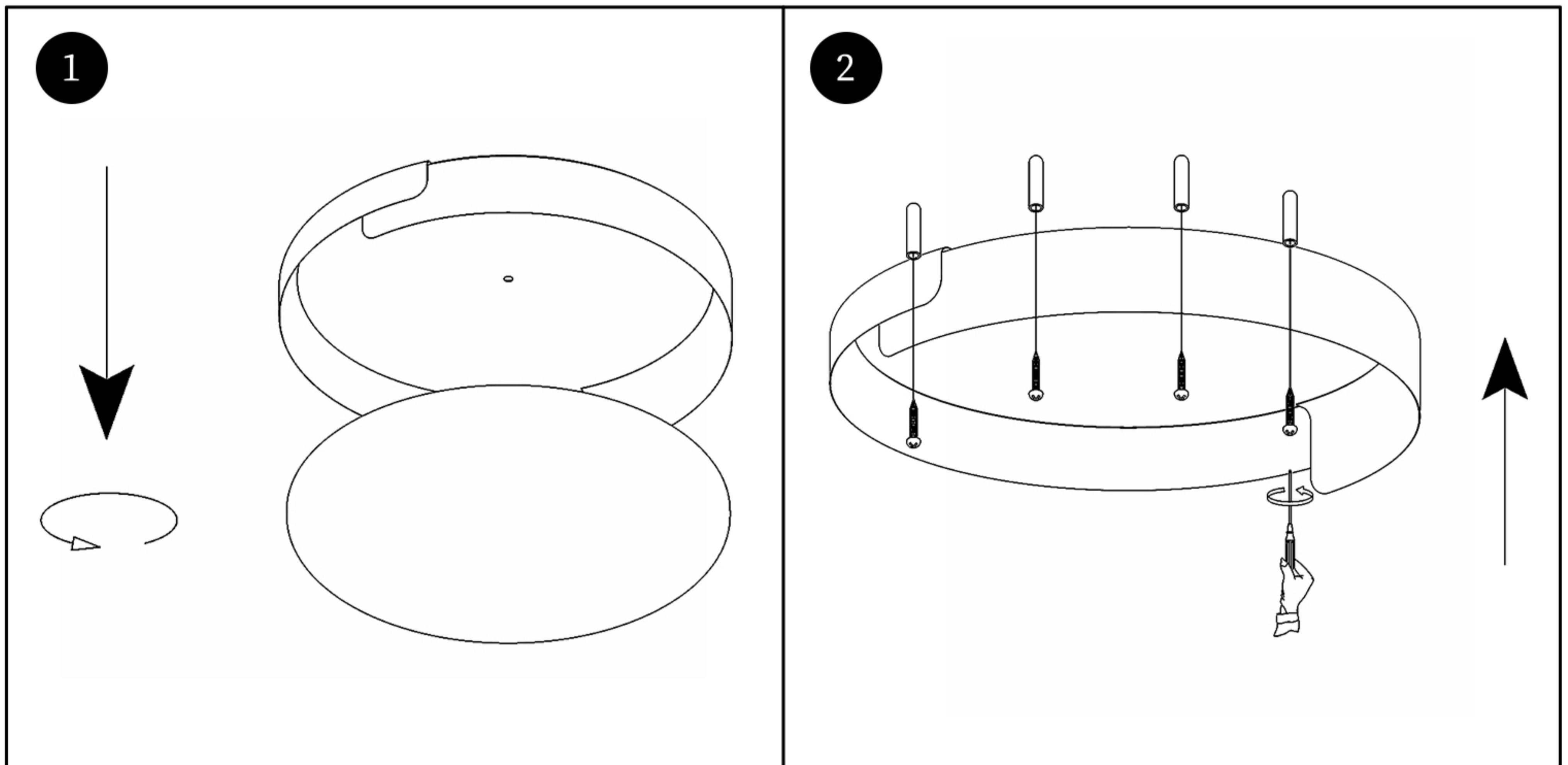


INSTALLATION GUIDE - WM1018



1. Take the lampshade down by turning counter-clockwise.
2. Attach the base to the ceiling box with screws. If necessary, you can use screws and even wedge anchors (these come with the light) to drill the base into the ceiling.
3. Use the wire connector to connect the wires of the light to the supply wires according to labels on the wires.
4. Restore the lampshade by turning clockwise.
5. Turn the power back on and flip on the light switch to test your light.