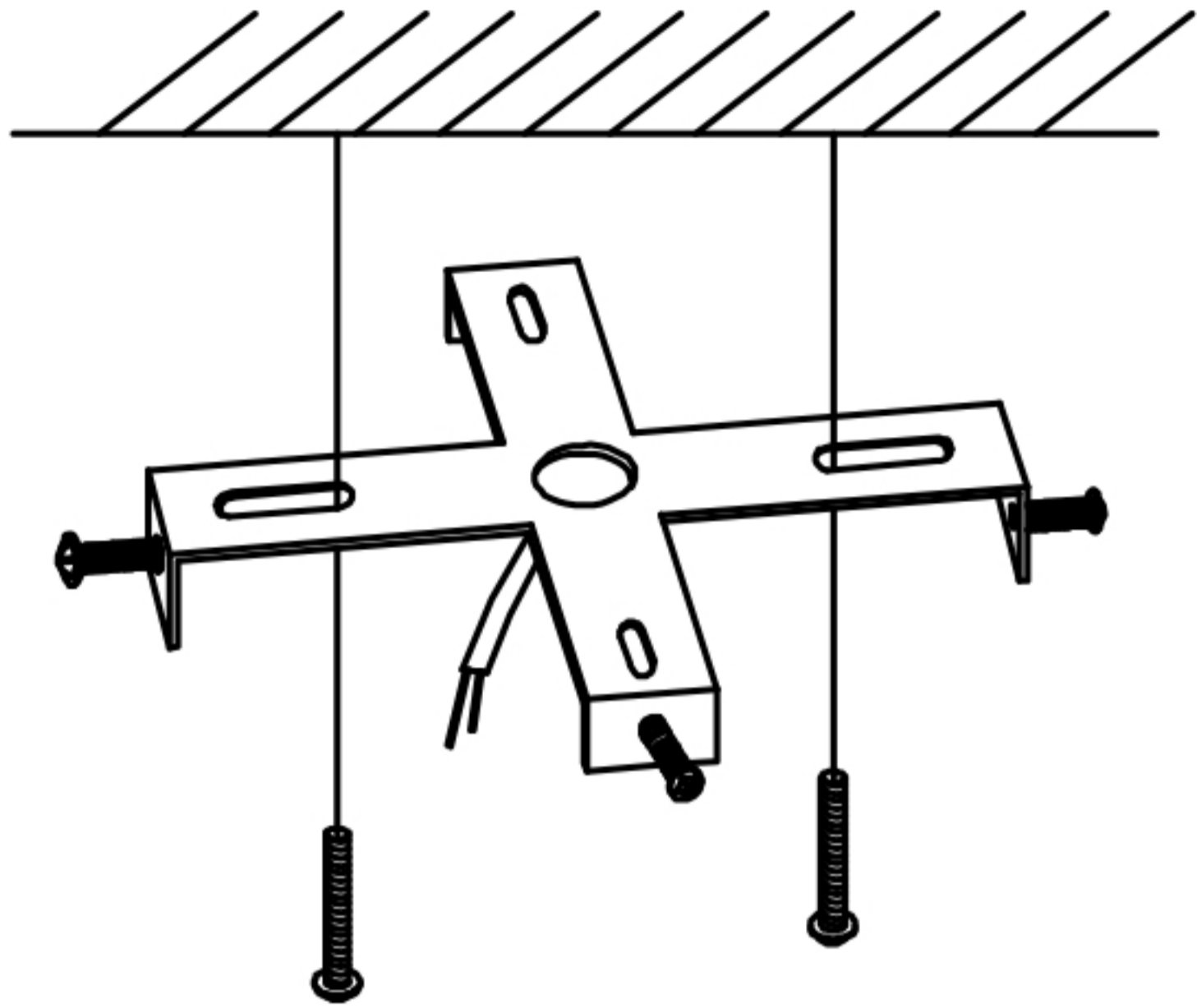
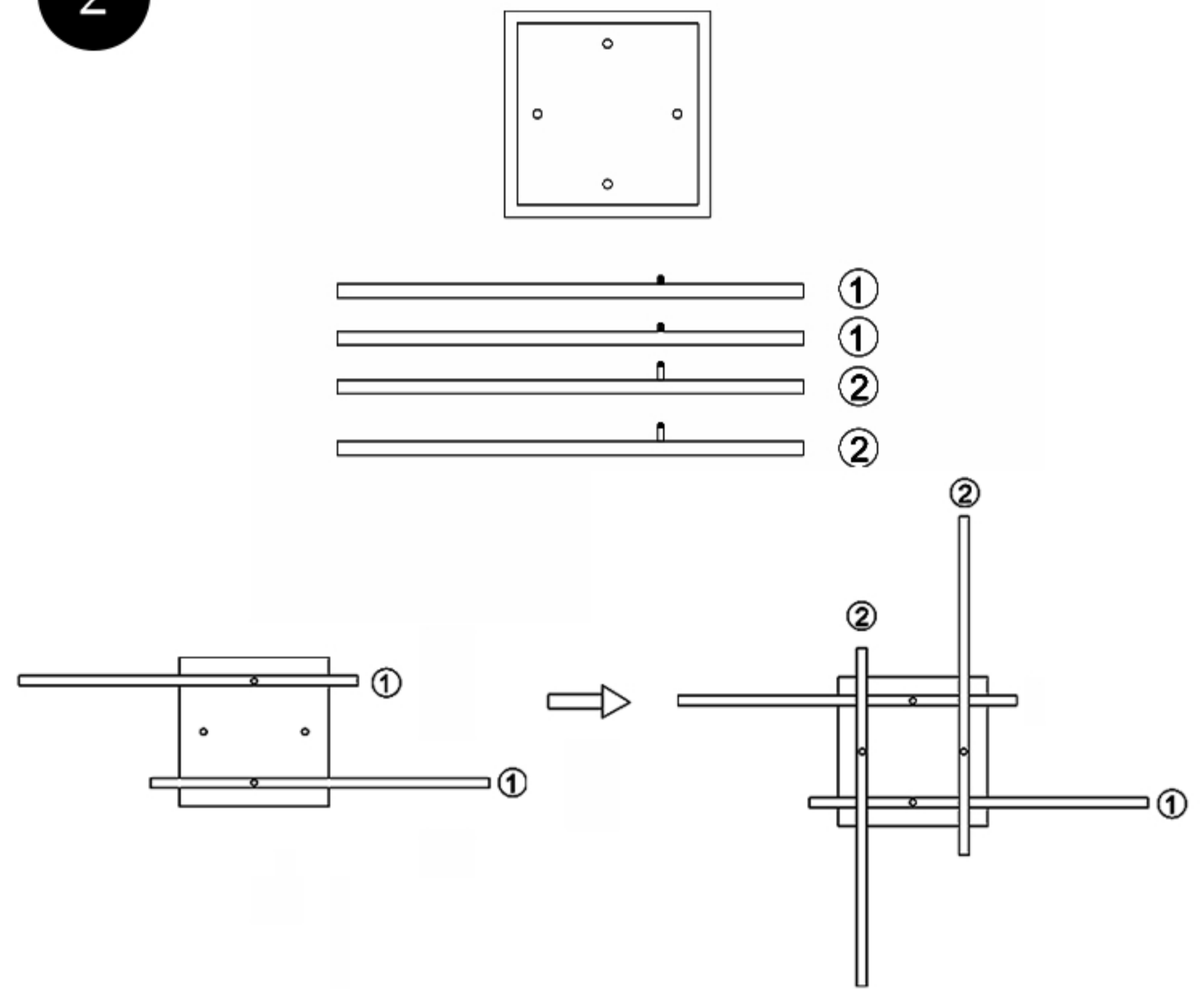


# INSTALLATION GUIDE - WM1004

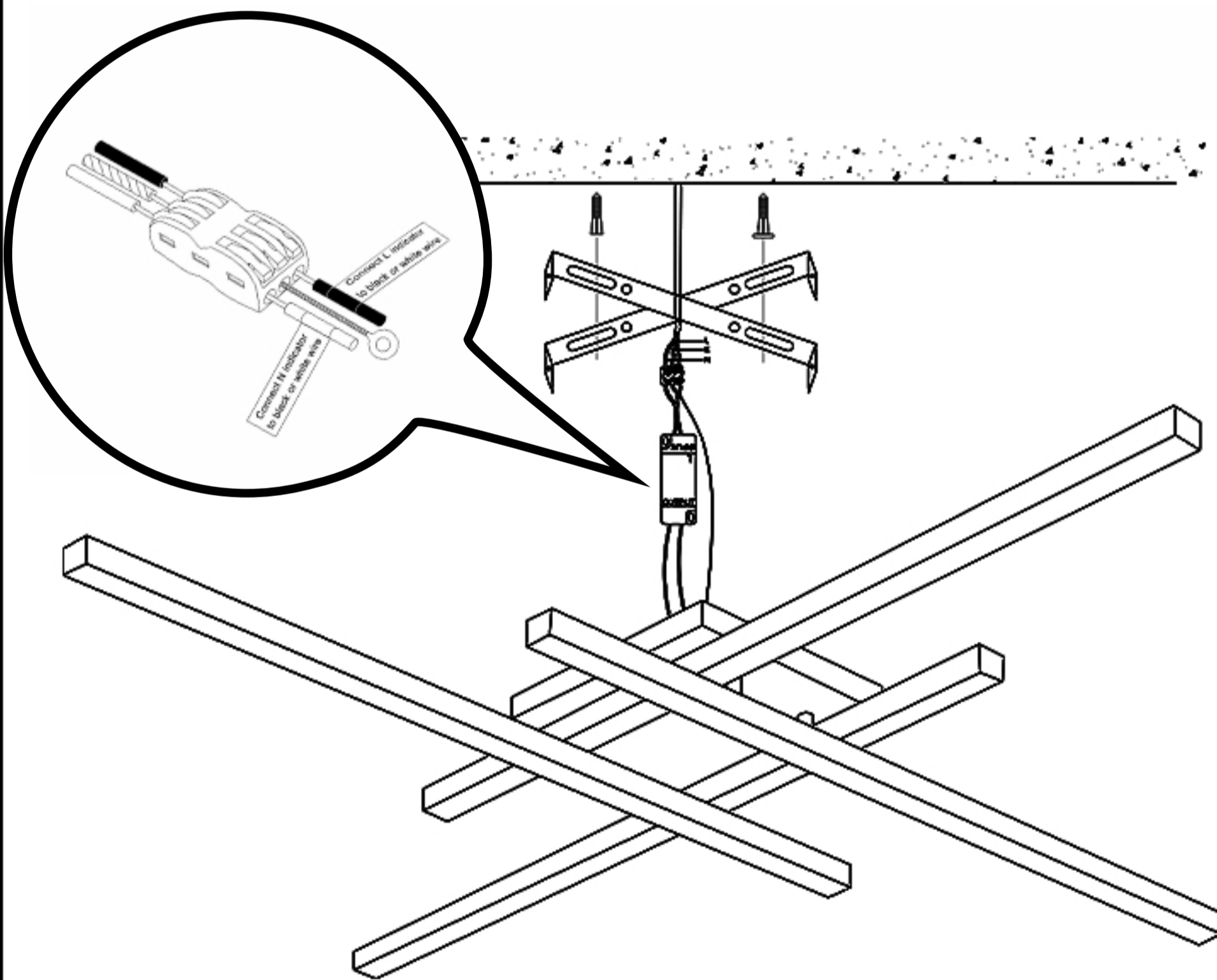
1



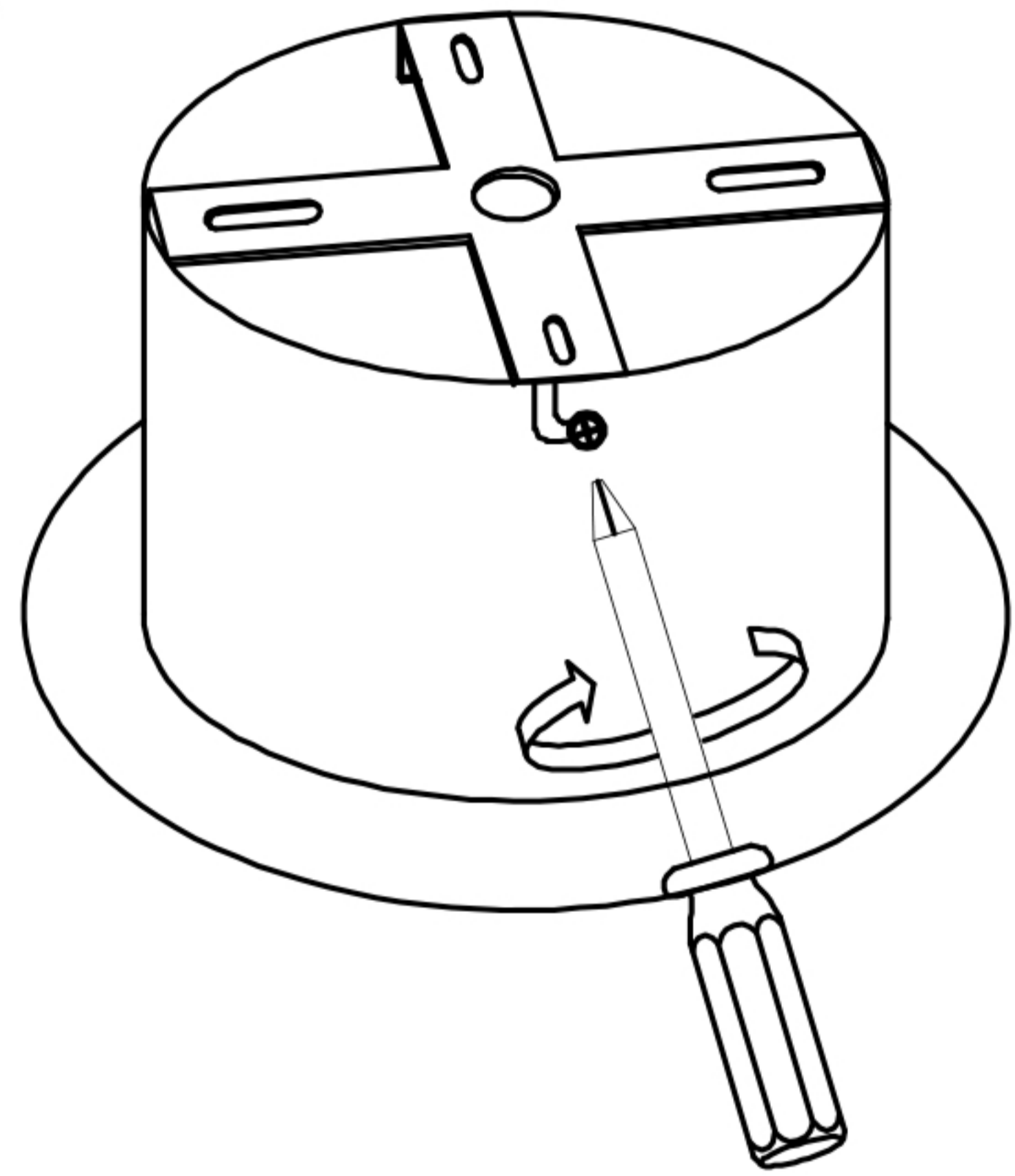
2



3



4



1. Attach the mounting bracket to the ceiling box with screws.
2. Assemble the light. Attach the light stick with a shorter bolt to the base and then do the one with longer bolt to the base with screws.
3. Use the wire connector to connect the wires of the light to the supply wires according to labels on the wires.
4. Align the base screw holes with the mounting bracket and secure the canopy with screws.
5. Turn the power back on and flip on the light switch to test your light.