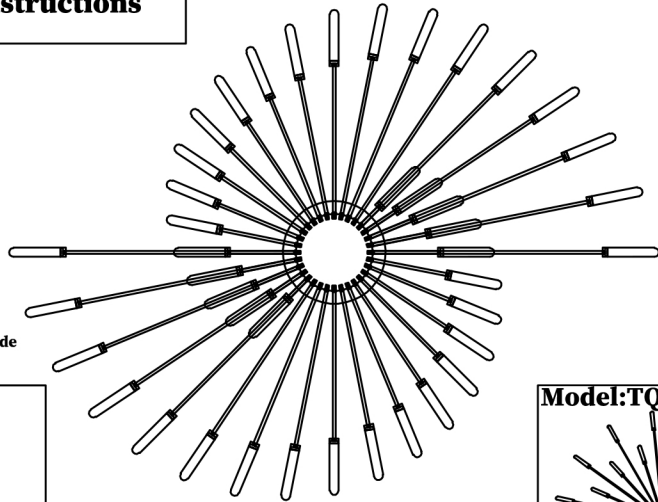


INSTALLATION GUIDE - WM1001

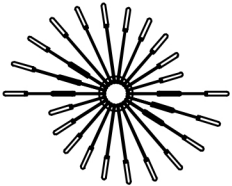
Flower Shape Ceiling Lamp Installation Instructions

Model:TQ-42

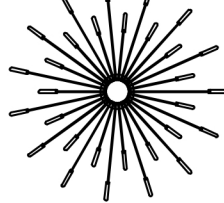


 Screw  Acrylic light-shade

Model:TQ-28

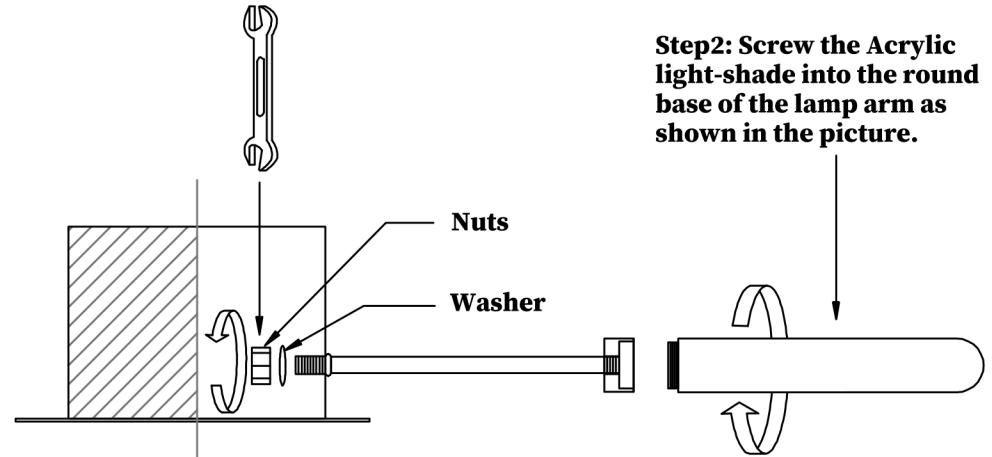


Model:TQ-30



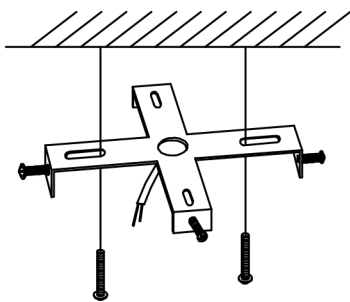
Note: The installation steps of TQ-30 and TQ-28 are the same as the steps of the TQ-42 as seen in the pictures.

Step1: Open the package and take the ceiling light out. Then Fix each lamp arm tightly into the base with the nuts as shown in the figure.

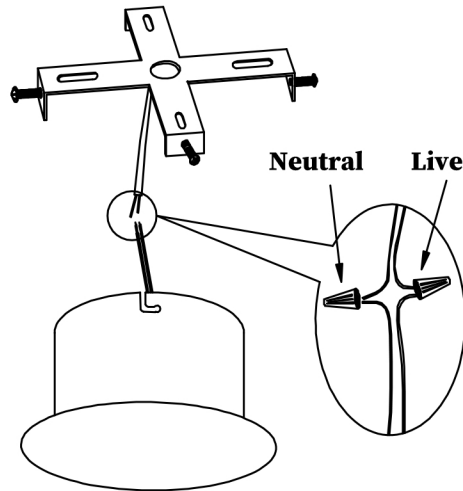


Step2: Screw the Acrylic light-shade into the round base of the lamp arm as shown in the picture.

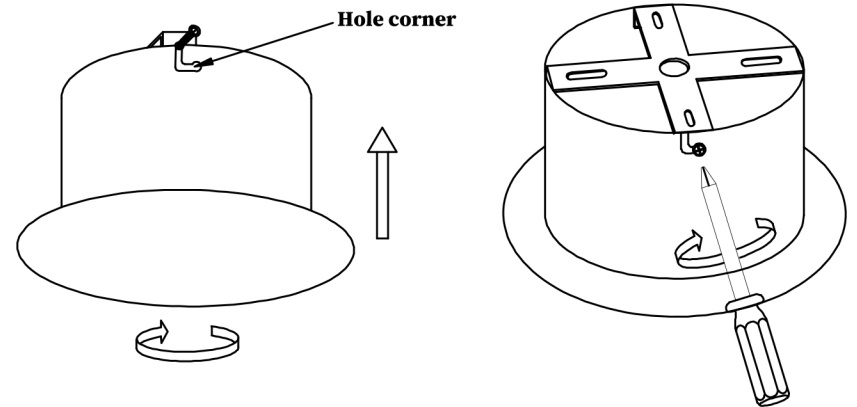
Step3: As seen in the Picture. Fix the hanging plate on the ceiling of your room with the screw from the Accessory package.



Step4: Then connect the input terminal of the lamp driver to Household Powerline as shown in the picture.



Step5: Lift the lamp base up and Rotate a small angle to let the screw into the hole corner of the base as shown in the picture. Finally fix the lamp base on the hanging plate with screw.



Note: If you have any question about the lamp & the installation, please feel free to contact with us. And you can also see the video of the Installation Instruction in the Product Homepage.