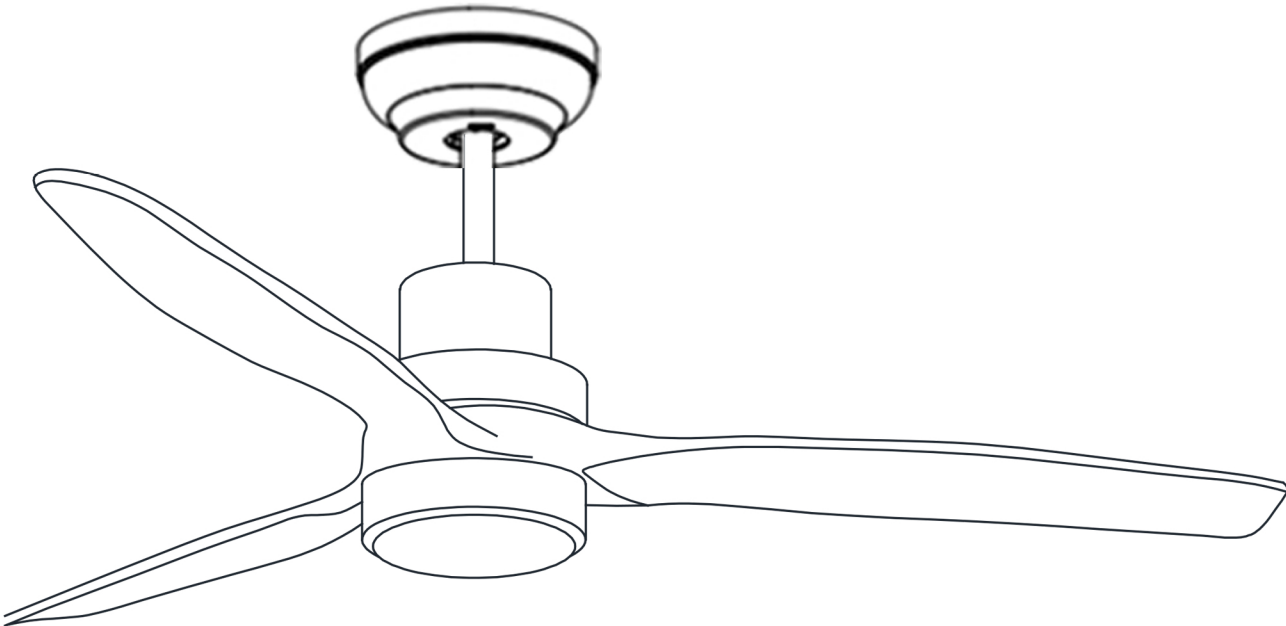
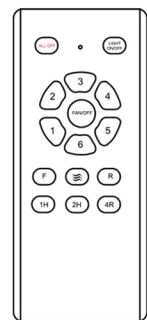
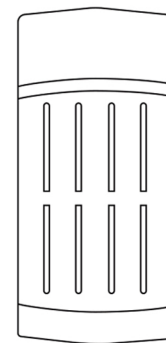
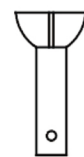
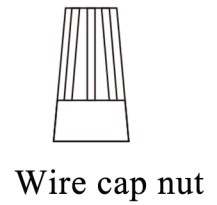
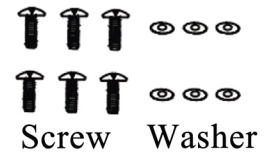
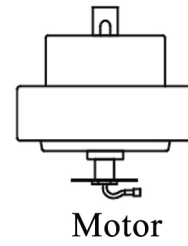
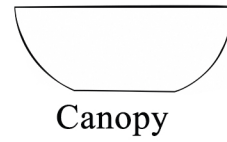
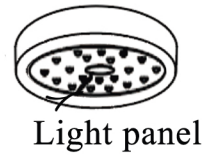
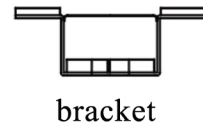
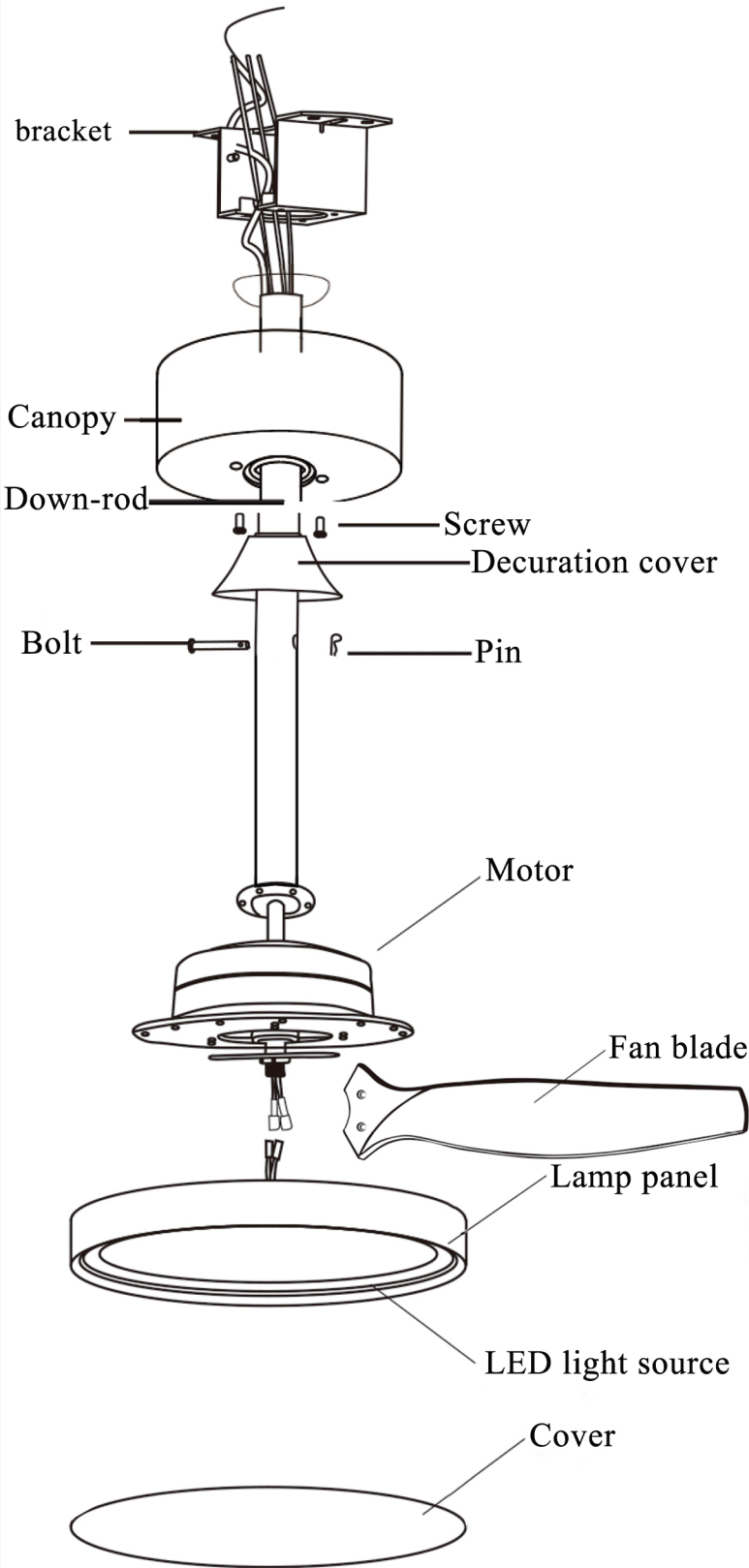


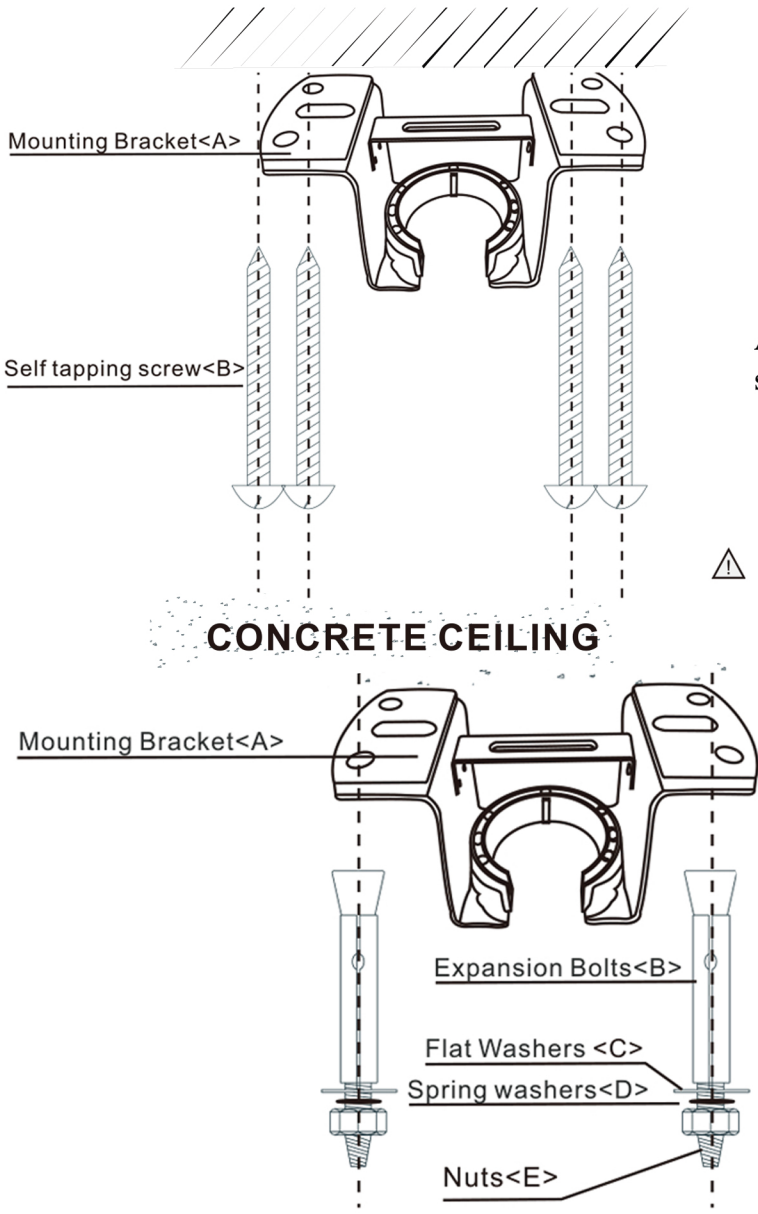
INSTALLATION INSTRUCTION-WM5002



Explosin diagram and accessories



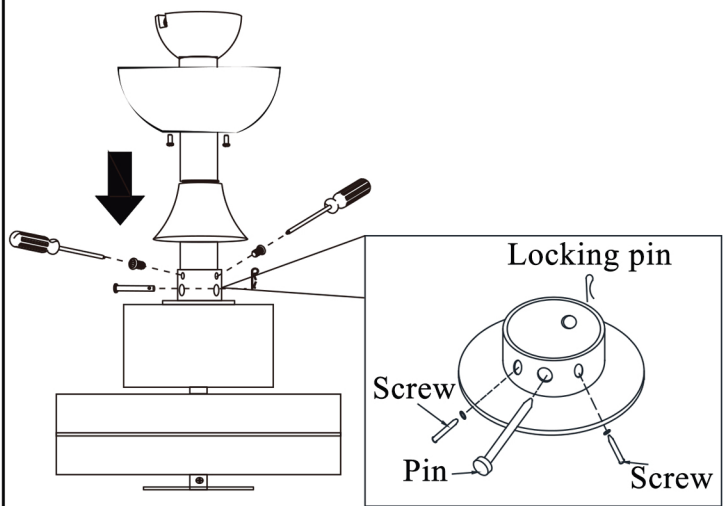
1. Mount the bracket



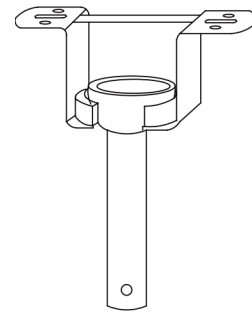
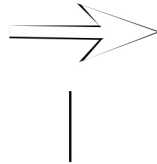
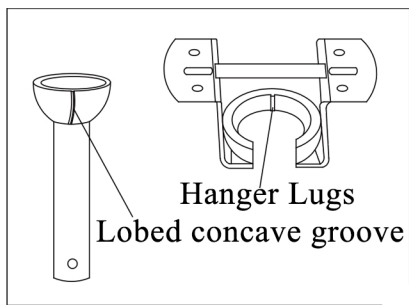
Attach the mounting bracket to wooden ceiling with self-tapping screws

Use a power drill and anchor drill the mounting bracket into the concrete ceiling

2. Attach the downrod to the motor



Assemble the ceiling fan. Attach the downrod to the flange on the top of the motor with screws, bolts and pins.

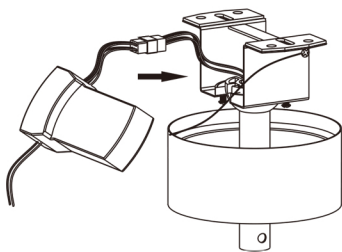
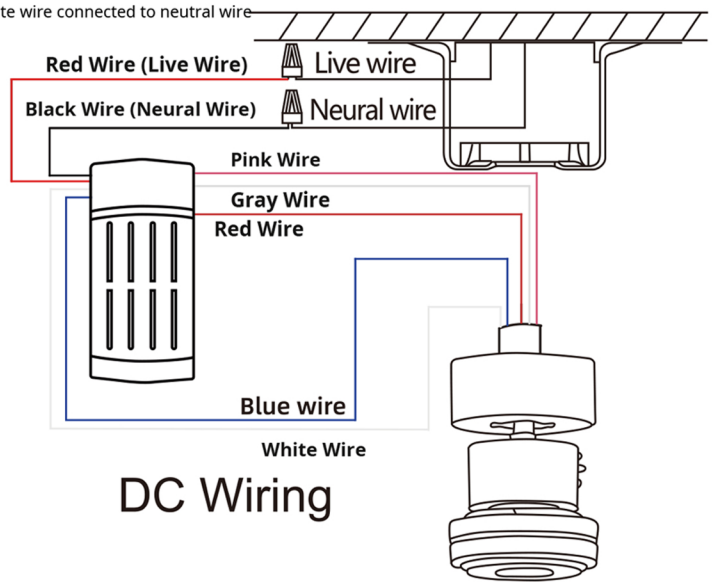


Put the downrod into the mounting bracket and align the lobed concave groove with the lug to avoid shaking.



Black wire to live wire

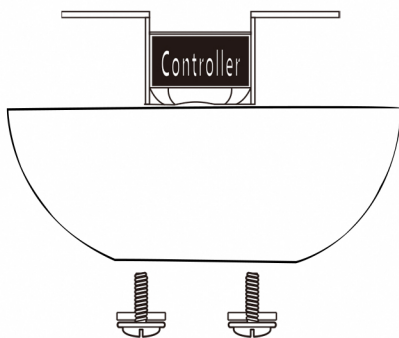
White wire connected to neutral wire



DC Wiring

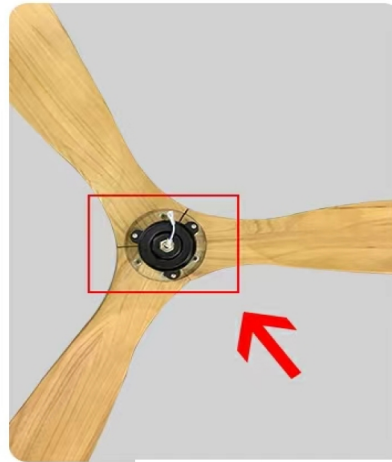
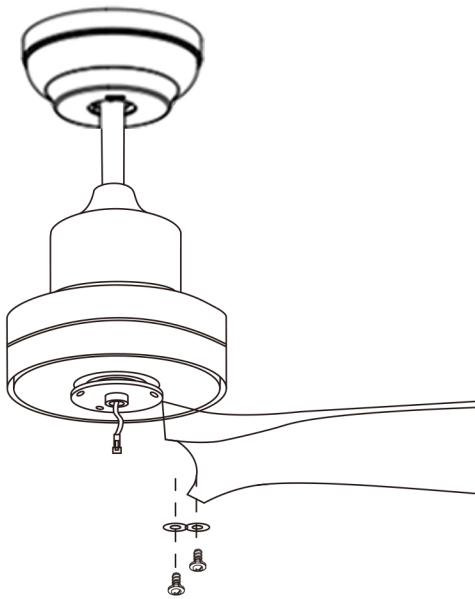
— Put the transformer into the mounting bracket.

— Attach the canopy to the mounting bracket.

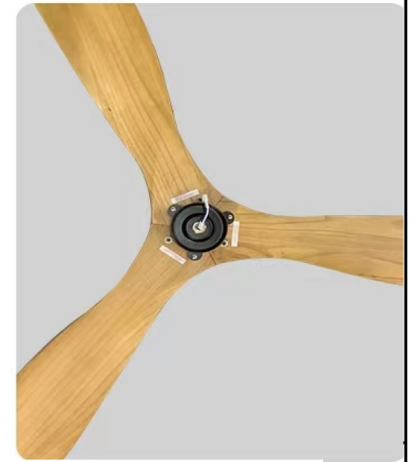


.Attach leaves to the disc wick washers and screw.

1). Three-leaf



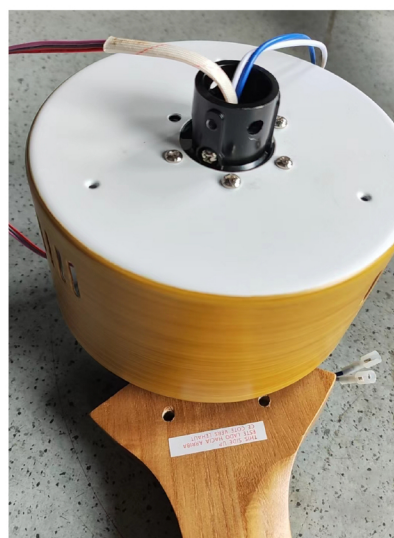
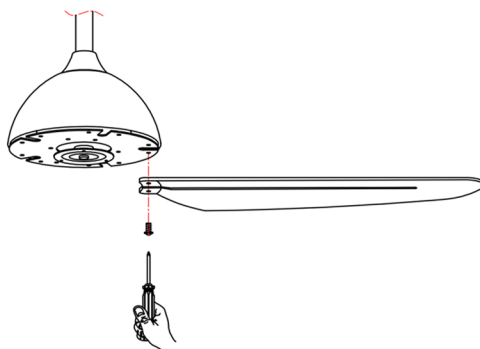
The labelled side faces the motor



The labelled side faces downward

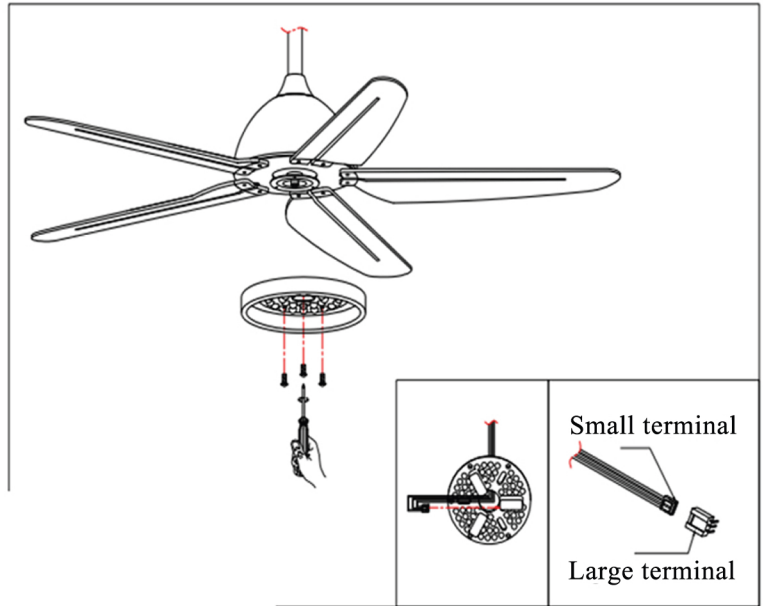
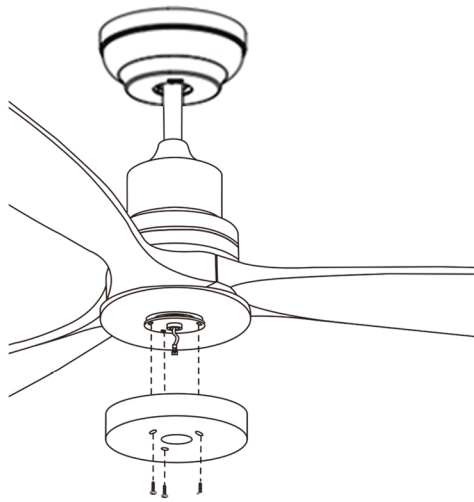


2). Five-leaf



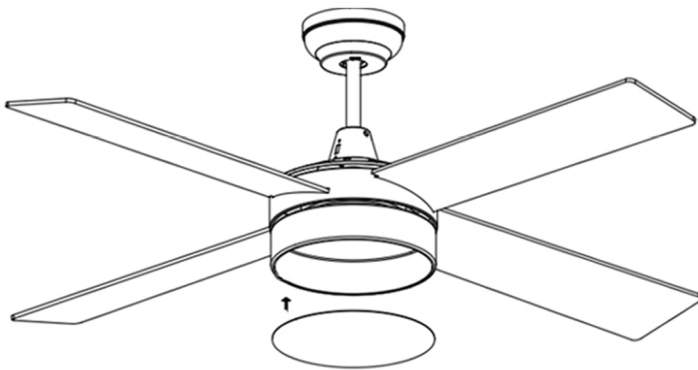
With prompt font facing the motor direction

4.Lamp panel installation



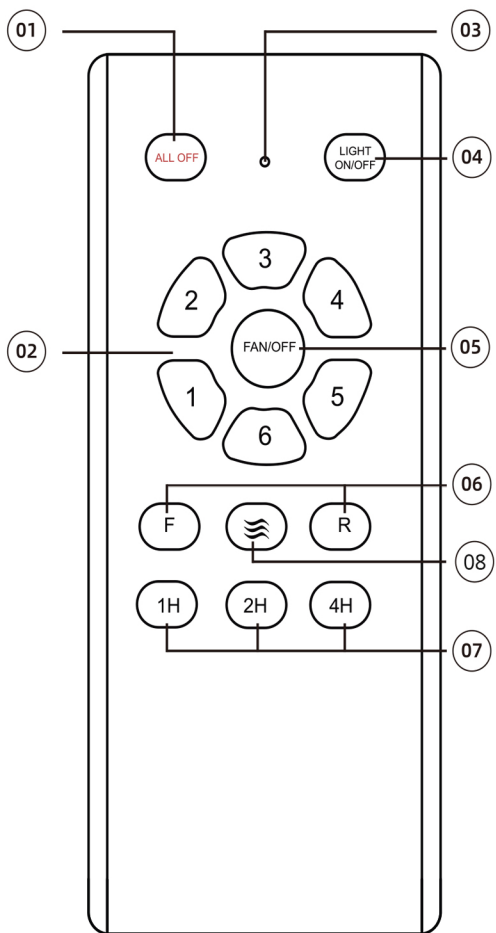
First remove the original 3 screws
The lock the lamp panel the original screws

5.Light source installation



Push the cover diagonally into the lamp panel

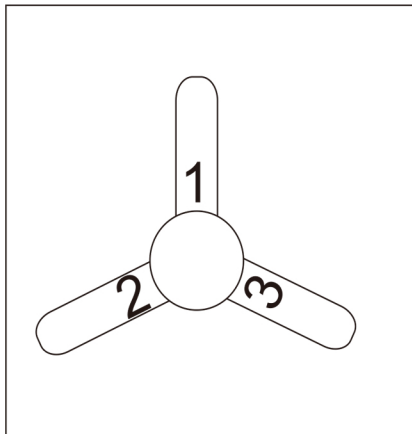
Remote control button function reference instructions



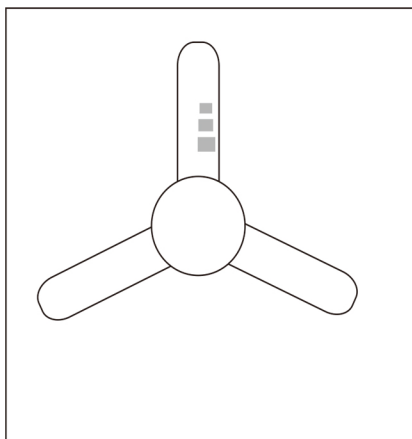
- 1.Main switch
- 2.Fan gear
- 3.Remote control indicator light
- 4.light switch
- 5.fan stopped
- 6.FIs turning in the forward direction,R is turning in the reverse direction
- 7.Turn off the fan regularly
- 8.Natural wind

6.Adjust balance

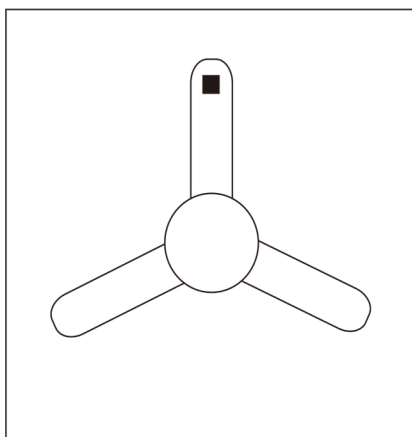
It is only used when there is slight shaking.Generally,no adjustment is needed after installation



Divide into points according to the number of leaves



Cut the balance sticker in half and stick it to the end of any leaf



Observe the shaking of each leaf after testing. If it is smaller this time.

Correspondingly add or reduce the leaves up down,try adjusting a few times

7. Frequently Asked Questions

1). The fan is not turning and the light is on

Observe whether the battery is installed in the remote control and whether it can turn off the lights remotely.

Check whether the leaves are stuck when pushing by and cannot rotate freely.

Solution: If the light switch cannot be controlled remotely, check the motor wire plug or re-code it.

If it is stuck, it means that the leaves are installed incorrectly or backwards.

If it still doesn't work, take a picture of the front of the remote control handle and ask the merchant to replace the con.

2). The light does not come on and the fan rotates

Can the remote control switch be turned on and off? Check whether the light cord is plugged in properly.

If the fan is running but the light still does not come on, replace the light source.

3). The fan does not turn on and the light does not turn on.

Check whether the power cord of the incoming call has power, and check whether the voltage is normal.

If there is voltage, there is a problem with the side controller, or the fuse is broken, pat the front and back of the handle to give the

Merchant replaces controller

8. Note

The fan is installed at a height where people cannot reach the fan blades.

If the fan is installed too close to a door or cabinet door, it will be easily damaged.

Cannot be used outdoors, please pay attention to waterproofing.

The fan can only be turned on using the remote control, so keep the remote control safe.

The installation of pop-out screws should be tightened by professionals. After installing the hanger, it must be able to lift 50 kg.

When installing or replacing light sources and controllers, avoid the risk of electric shock and ensure that the power supply is turned off. or dedicated person

Complete under the installation or guidance of technicians.