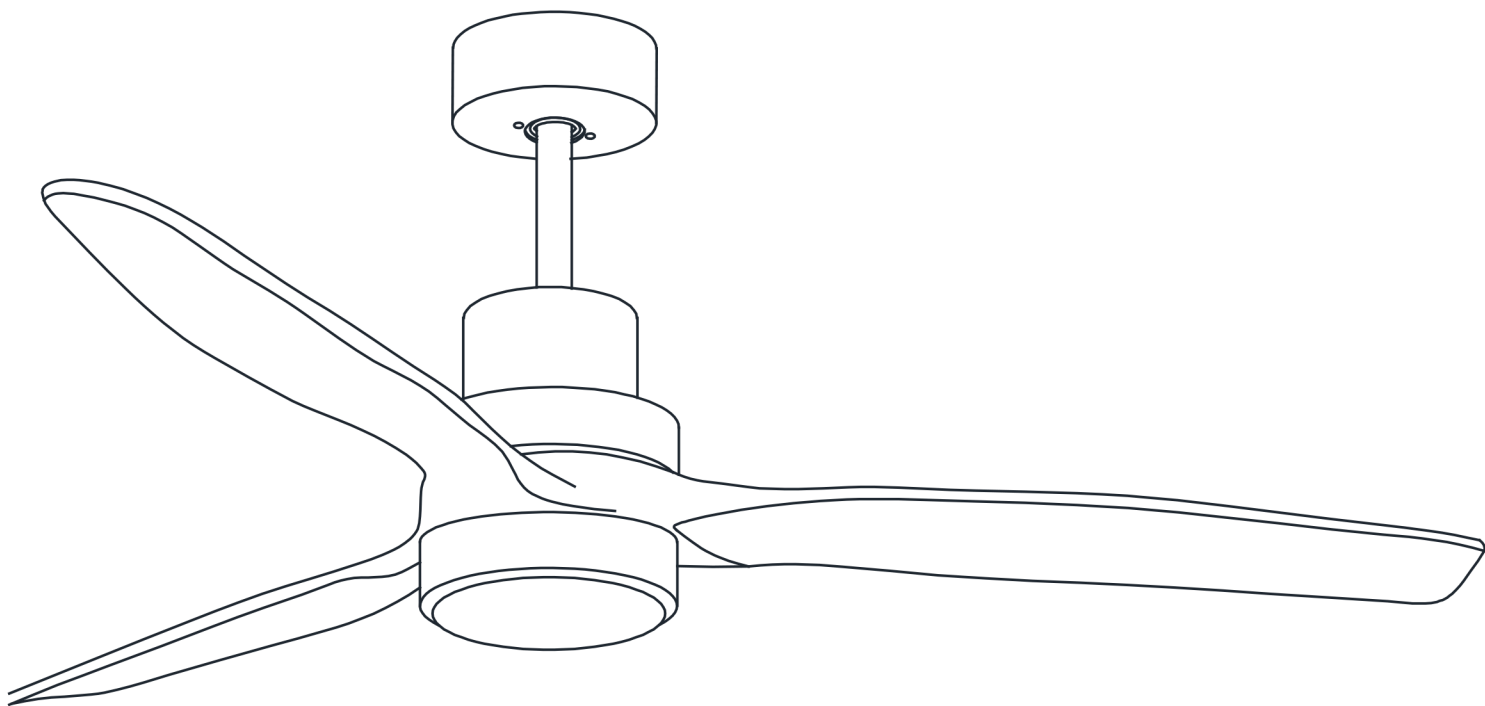


installation instruction

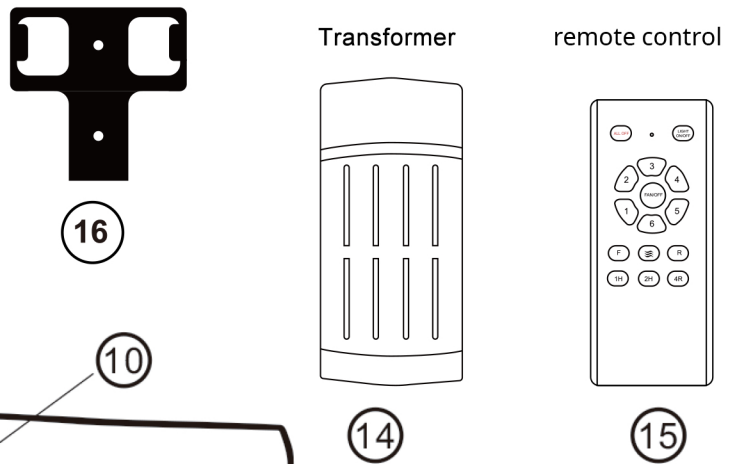
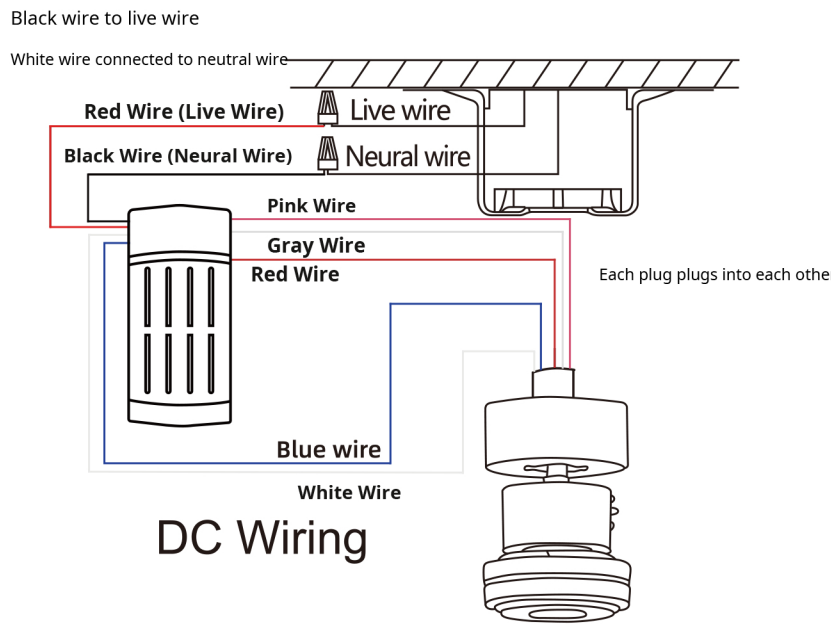
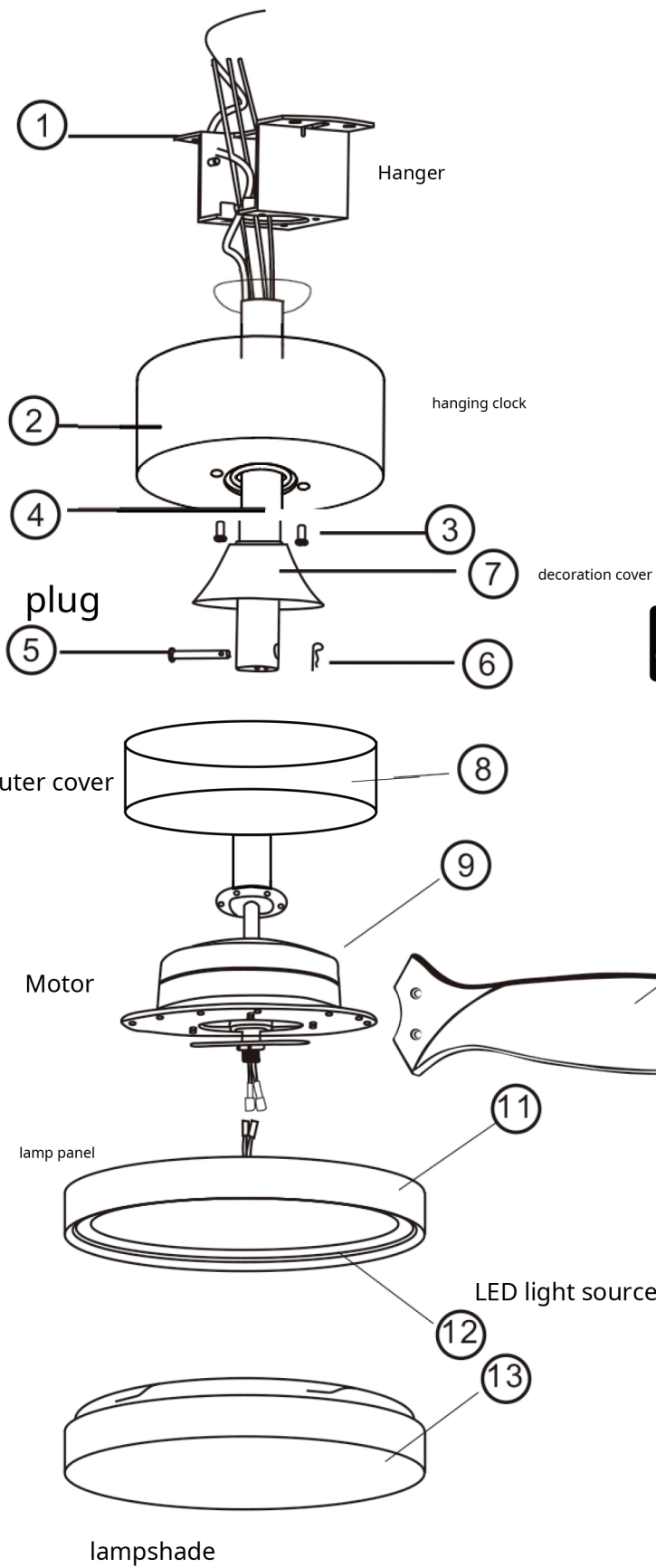


F7788-1

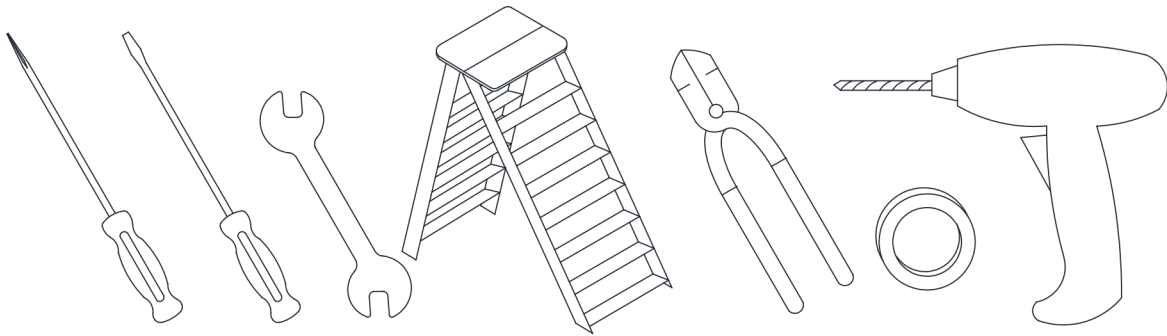
Read the instructions carefully before installation

1. Installation diagram

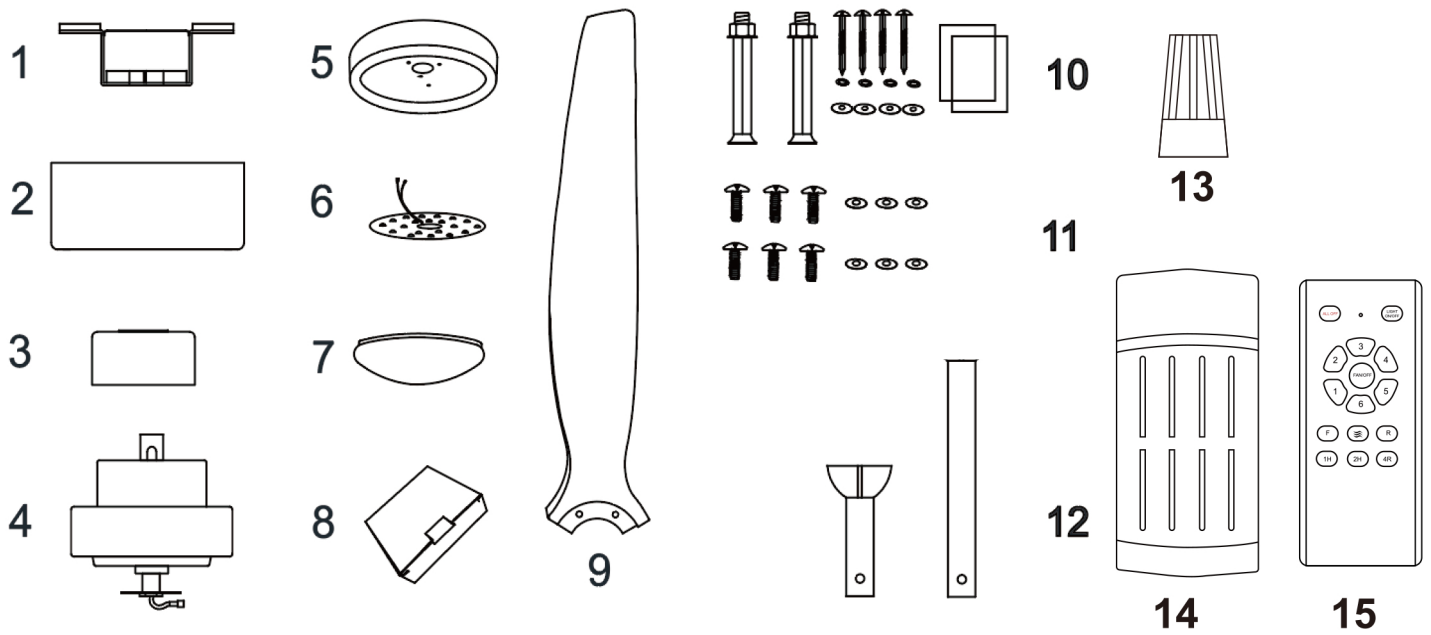
For reference, there will be differences between different products.



2. Prepare tools

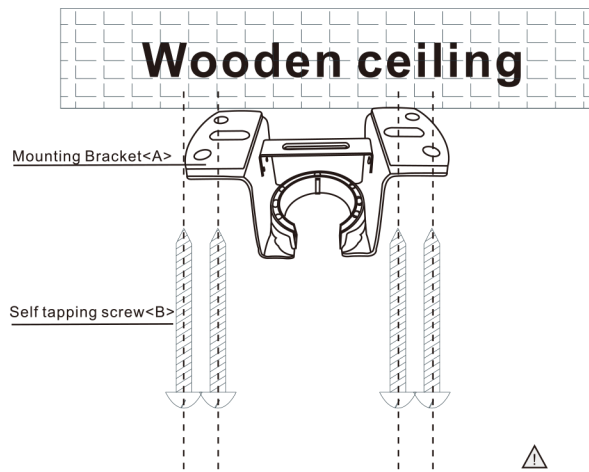


3. Total accessories list

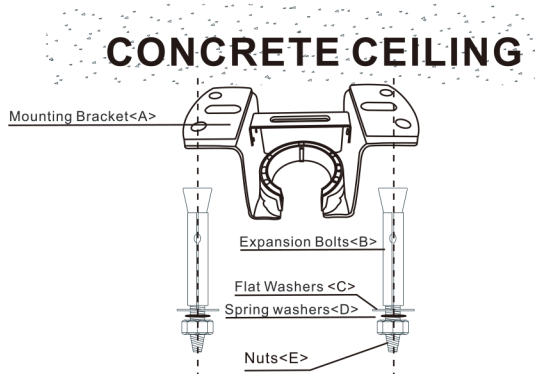


For reference only, the actual product shall prevail.

4. Hanger installation

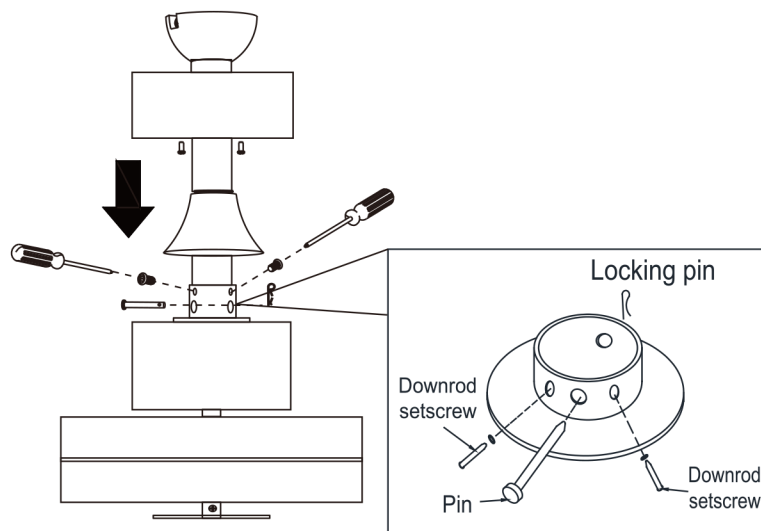


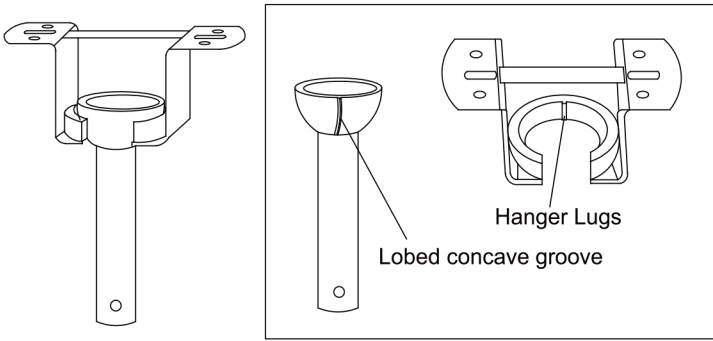
Self-operating screws for wooden ceilings



Pull-out screws for water wool boards or hard ceilings

5. Boom installation

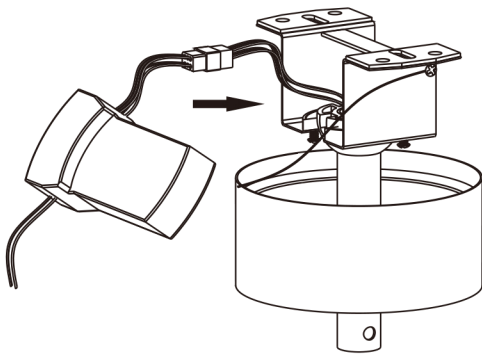
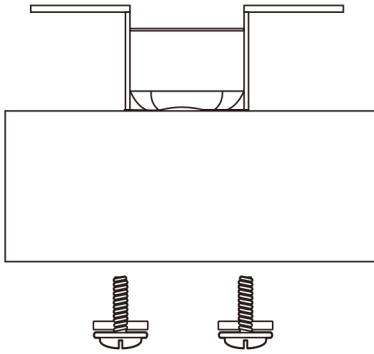




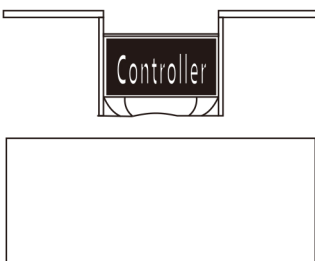
1. Movable hanger model

The movable hanger should be aligned with the movable C ring

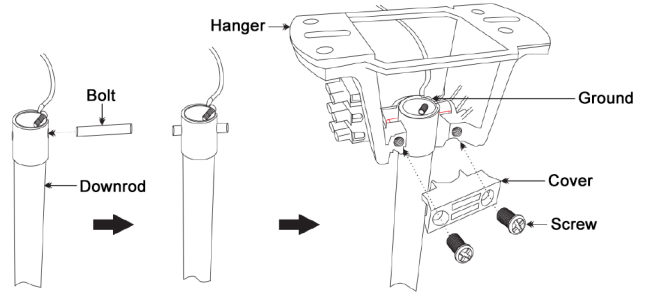
Otherwise it will shake



The controller is inserted into the slot, Pay attention to tidying up the lines



Commonly used models



2. Fixed hanger version

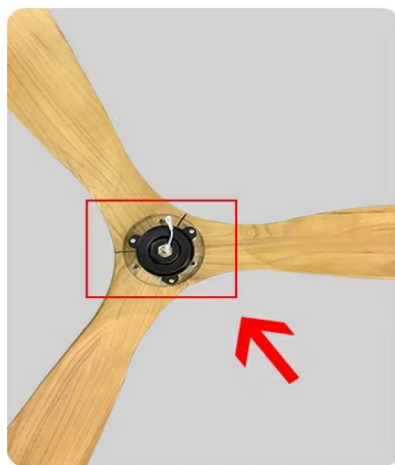
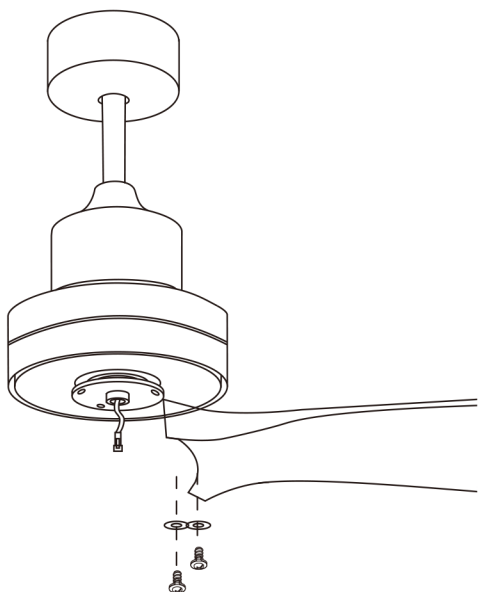
The two screws on the side need to be tightened.

Otherwise it will shake



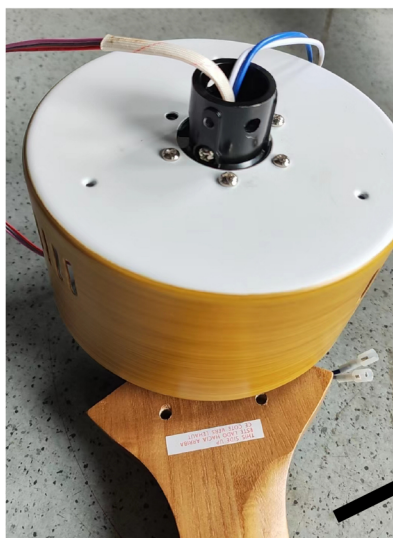
6. Fan blade installation 1

6.1. Three-leaf boom with light panel (F7788)



Gaskets must be added to the screws to prevent

Loosen the leaf opening toward the lamp panel



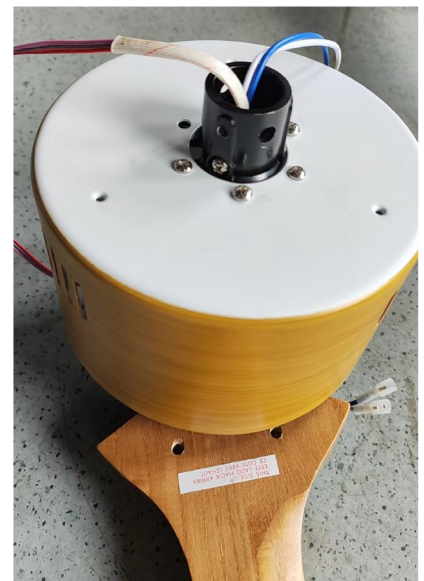
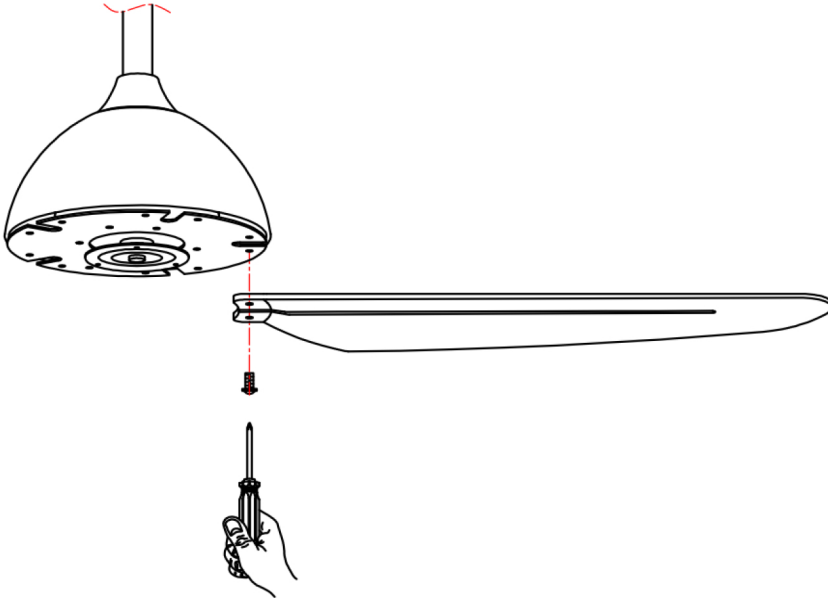
With prompt font facing the motor direction



6. Fan blade installation 2

6.2. Large five-leaf boom with light panel (CT61)

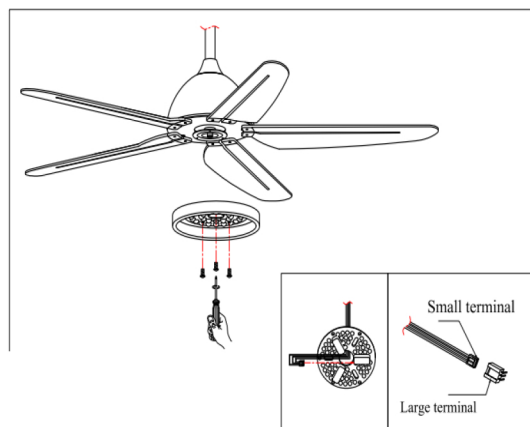
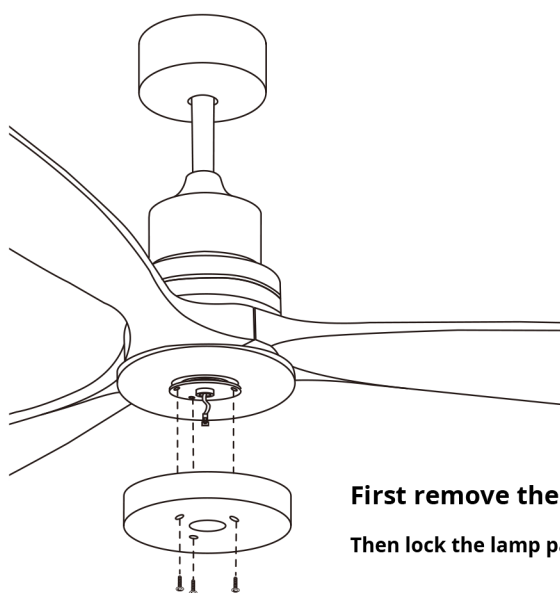
5 leaves with raised tail



The leaves are mounted on the motor at the bottom of the disc

Solid wood or rubber leaves have literals that rely on the motor
Install it from the front, otherwise the leaves will disappear if insta
windy.

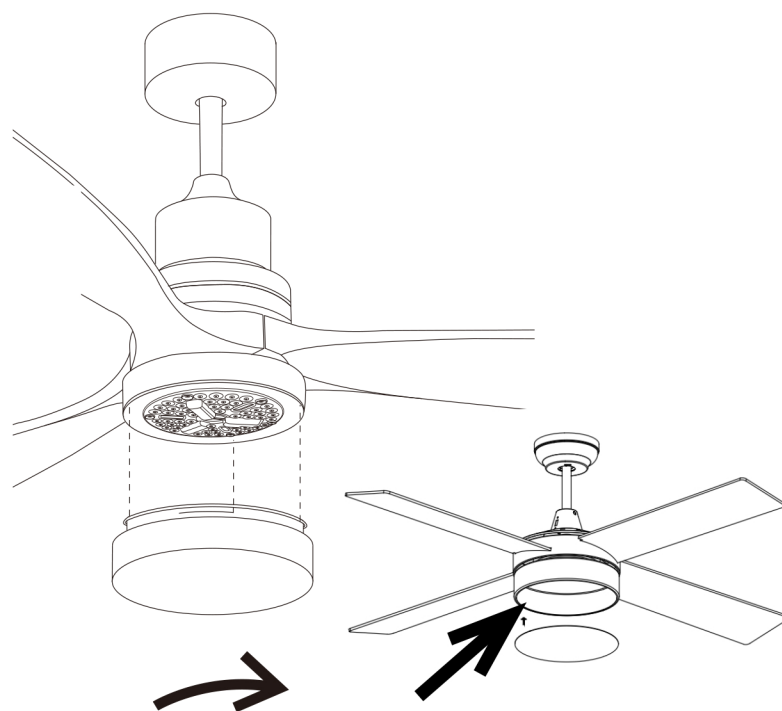
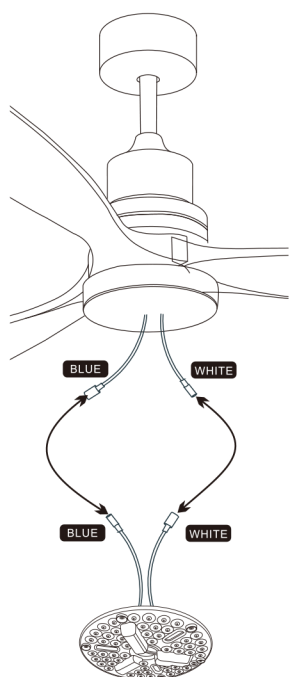
7. Lamp panel installation



**First remove the original 3 screws.
Then lock the lamp panel with the original screws**



8. Light source installation



The corresponding wire plug should be plugged in tightly, and the wire should be

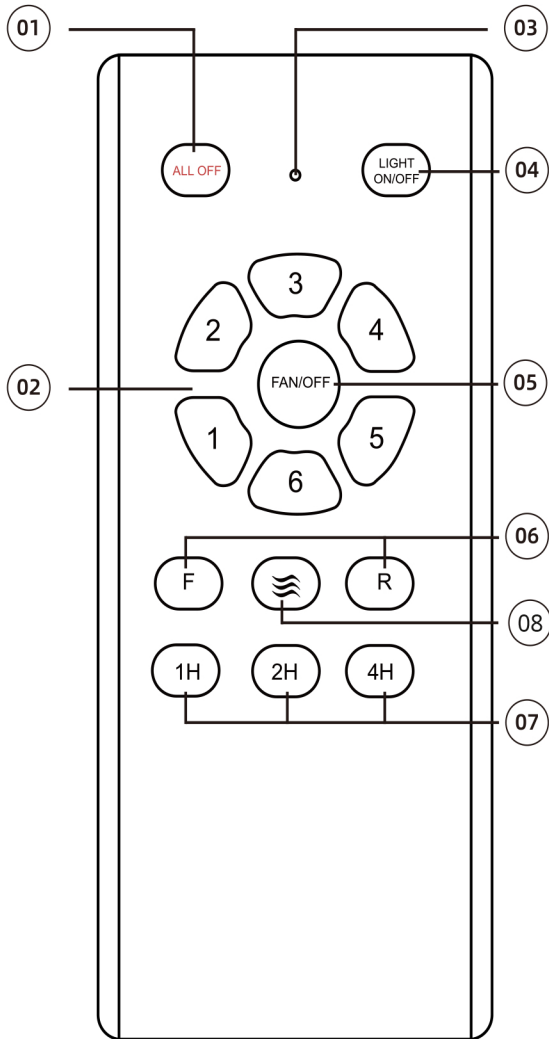
**Type A lampshade on the card
mouth, tighten**

Straighten it out and do not block the light source.

Type B lampshade uses acrylic sheet
Push it diagonally into the lamp panel
, be careful not to parallel hard
plugged, easily damaged

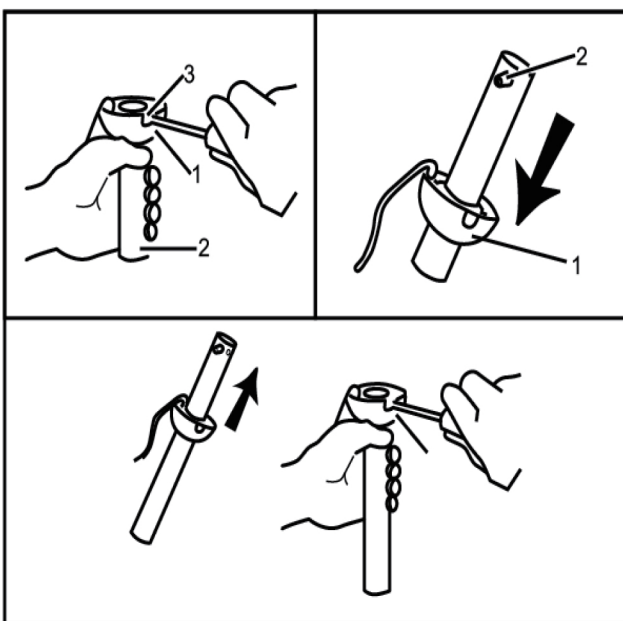
Otherwise there will be no shadow.

Remote control button function reference instructions



- 1.main switch
- 2.Fan gear
- 3.Remote control indicator light
- 4.light switch
- 5.fan stopped
- 6.FIs turning in the forward direction, R is turning in the reverse direction
- 7.Turn off the fan regularly
- 8.natural wind

How to replace the boom, applicable to some products



First remove the original hanging head

Install it on another boom

Fasten the short pin first

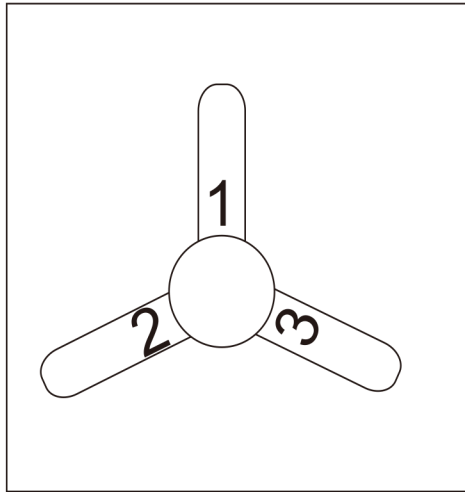
Push the hanging head up

How to replace the boom

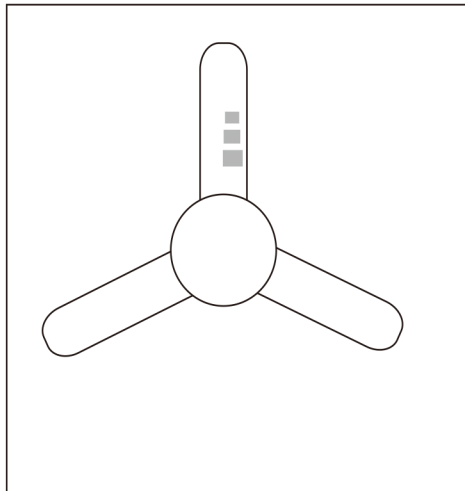
Only suitable for use on movable hangers

9. Adjust balance

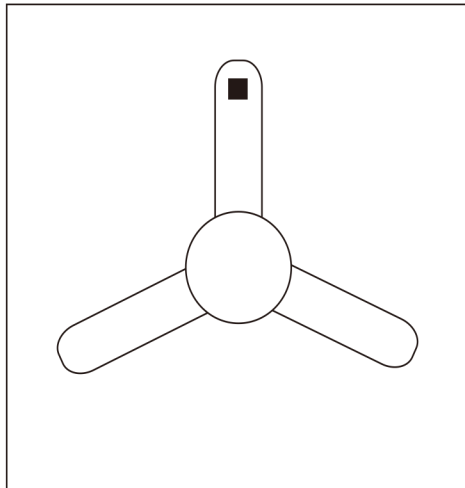
It is only used when there is slight shaking. Generally, no adjustment is needed after installation.



Divide into points according to the number of leaves



Cut the balance sticker in half and stick it to the end of any leaf



Observe the shaking of each leaf after testing. If it is smaller this time,

Correspondingly add or reduce the leaves up and down, try adjusting a few times.

10. Frequently Asked Questions

10.1, the fan is not turning and the light is on

Observe whether the battery is installed in the remote control and whether it can turn on and off the lights remotely.

Check whether the leaves are stuck when pushing by hand and cannot rotate freely.

Solution: If the light switch cannot be controlled remotely, check the motor wire plug or re-code it.

If it is stuck, it means that the leaves are installed incorrectly or backwards.

If it still doesn't work, take a picture of the front of the remote control handle and ask the merchant to replace the controller.

10.2, the light does not come on and the fan rotates

Can the remote control switch be turned on and off? Check whether the light cord is plugged in properly.

If the fan is running but the light still does not come on, replace the light source.

10.3, the fan does not turn on and the light does not turn on.

Check whether the power cord of the incoming call has power, and check whether the voltage is normal.

If there is voltage, there is a problem with the side controller, or the fuse is broken, pat the front and back of the handle to give the controller a signal.

Merchant replaces controller

11. Things to note

The fan is installed at a height where people cannot reach the fan blades.

If the fan is installed too close to a door or cabinet door, it will be easily damaged.

Cannot be used outdoors, please pay attention to waterproofing.

The fan can only be turned on using the remote control, so keep the remote control safe.

The installation of pop-out screws should be tightened by professionals. After installing the hanger, it must be able to lift 50 kilograms.

When installing or replacing light sources and controllers, avoid the risk of electric shock and ensure that the power supply is turned off. or dedicated person

Completed under the installation or guidance of technicians.