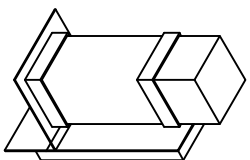
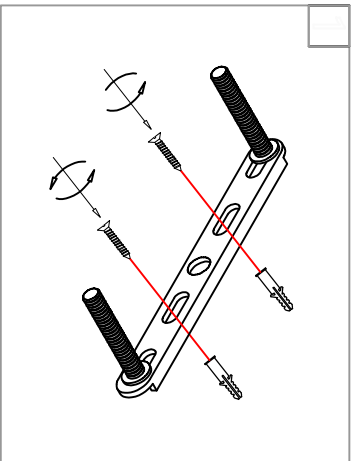


Warning:
This product must be installed by personnel who are familiar with its structure and related hazards, in accordance with the installation specifications. This product is suitable for indoor installation.

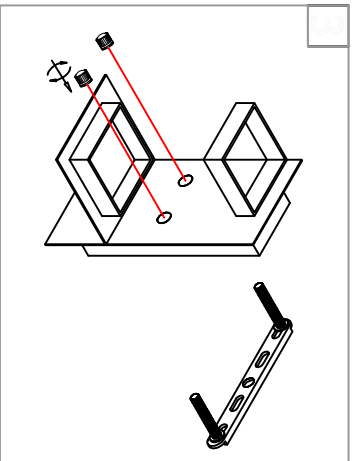


Product style diagram

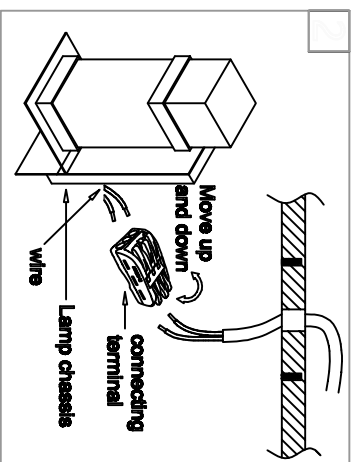
Steps of installation



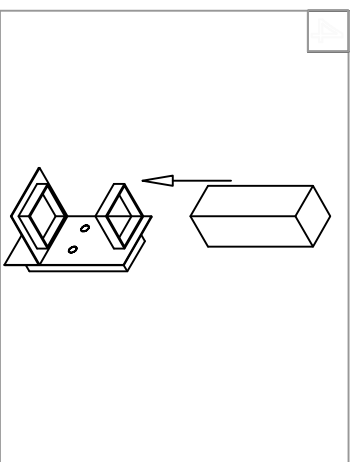
Install the mounting plate onto the wall.



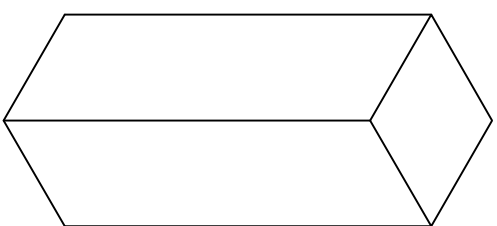
Align the holes of the lamp body with the threaded rods on the mounting plate, and tighten the nuts.



Use the terminal blocks to connect the wires of the top cover to the wires on the wall.

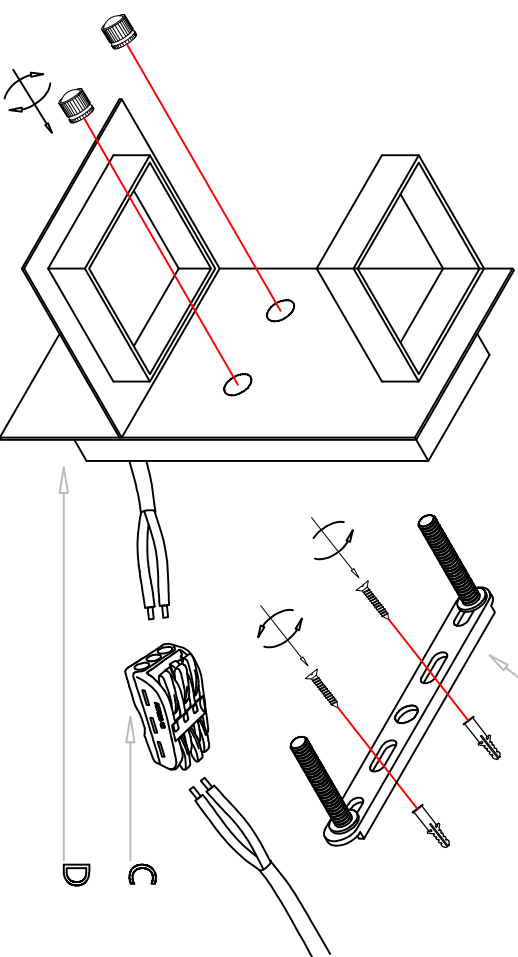


Put the lampshade into the frame on the lamp body.



A

B



First, fix the mounting plate (B) to the wall. Then, using the terminal blocks (C), connect the wires on the lamp body (D) to the wires on the wall. Next, align the holes of the lamp body (A) with the threaded rods on the mounting plate (B), and tighten the nuts. Finally, put the lampshade (A) into the frame on the lamp body.