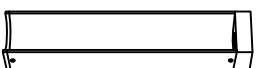
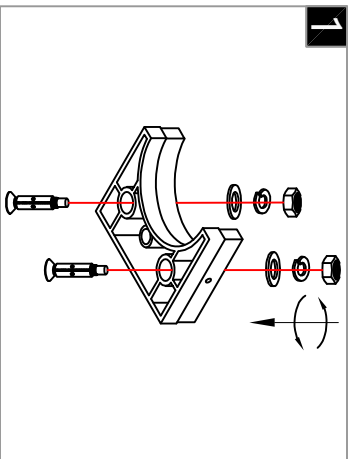


Warning:
This product must be installed by personnel who are familiar with its structure and related hazards, in accordance with the installation specifications. This product is suitable for indoor installation.

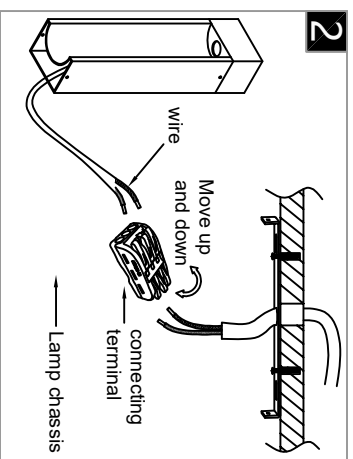


Product style diagram

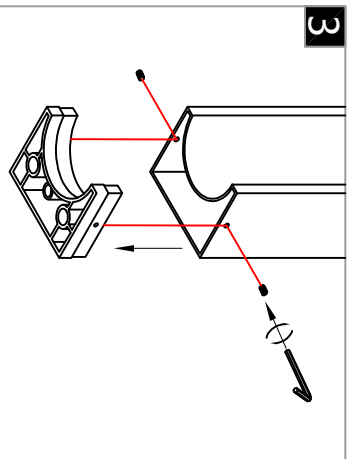
Steps of installation



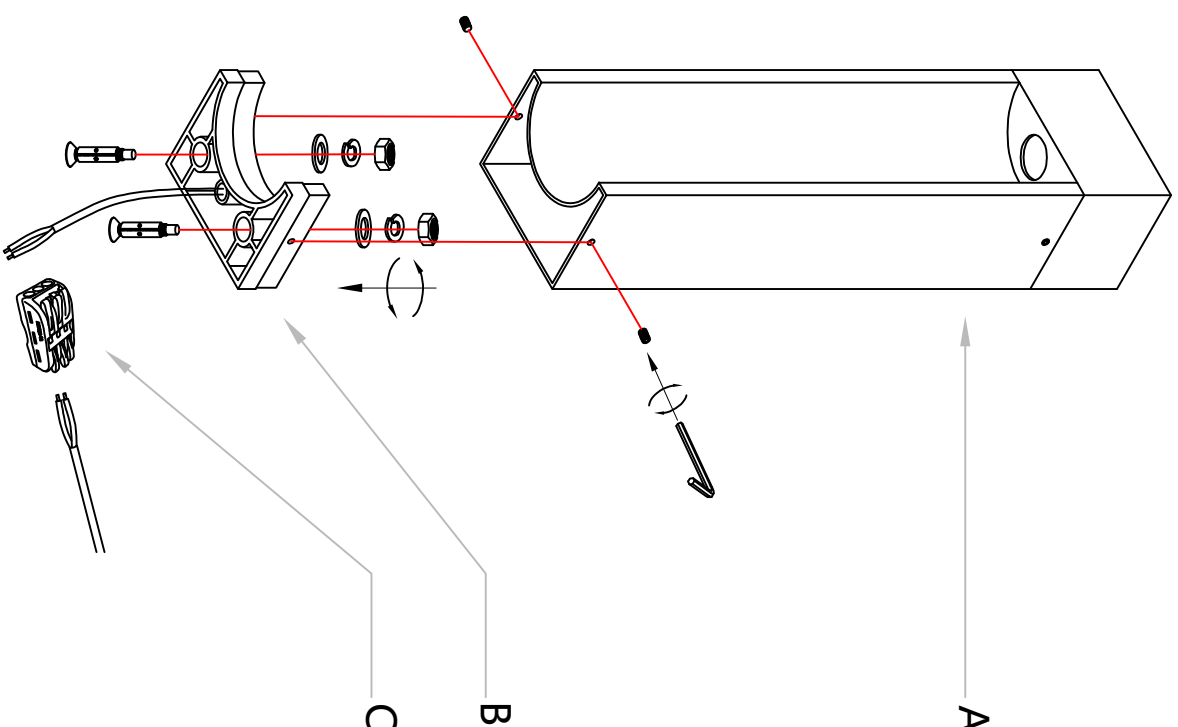
1 Pass the wires on the ground through the base, and then fix the base to the ground



2 Use the quick connector to connect the power wire inside the lamp body with the wires on the ground.



3 Align the screw holes on the side of the lamp body with those on the side of the base, and tighten the hexagonal screws.



First, pass the wires on the ground through the base (B), and then fix the base (B) to the ground.

Next, use the quick connector (C) to connect the power wire inside the lamp body (A) with the wires on the ground.

Then, align the screw holes on the side of the lamp body (A) with those on the side of the base (B), and tighten the hexagonal screws.