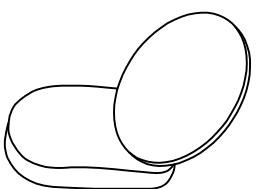
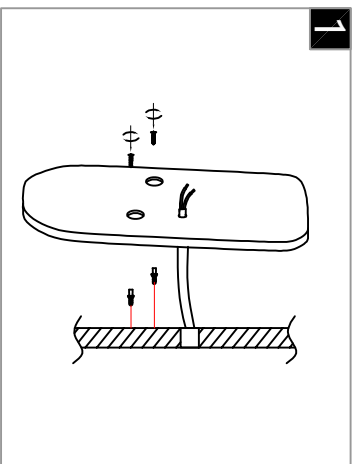


Warning:
 This product must be installed by personnel who are familiar with its structure and related hazards. In accordance with the installation specifications. This product is suitable for indoor installation.



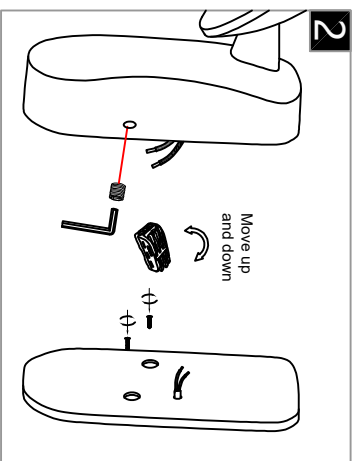
Steps of installation

1



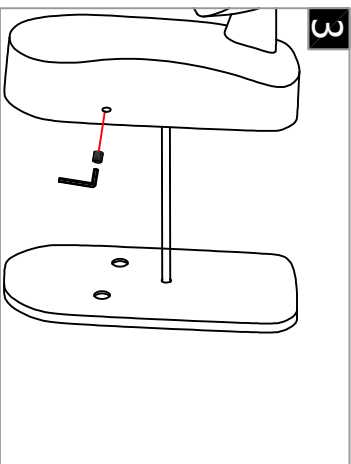
Remove the mounting plate from the lamp body, then attach it to the wall with self-tapping screws, and leave the reserved wire out.

2



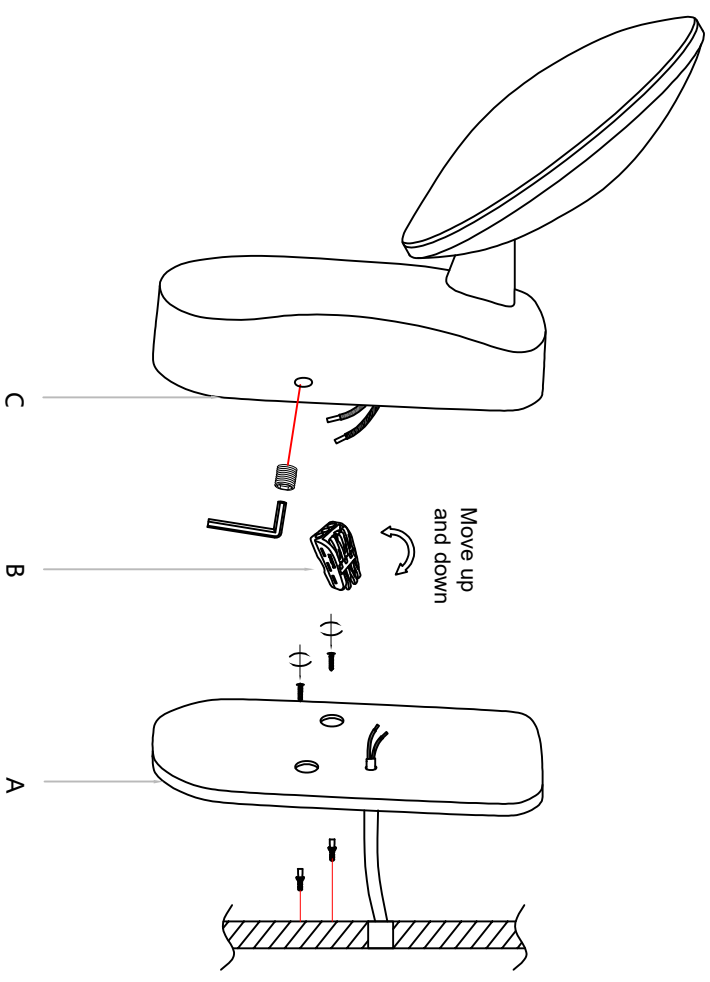
Then connect the reserved wire on the lamp body and the reserved wire on the wall to the terminal.

3



Then, use a hexagonal wrench to install the lamp body onto the mounting plate on the wall.

Product style diagram



First, fix the mounting plate (A) to the wall using self-tapping screws. Then connect the reserved wires on the lamp body (C) to the reserved wires on the wall and the junction box (B). Next, install the lamp body (C) onto the mounting plate (A). Tighten it at the edges using a hexagonal wrench.