

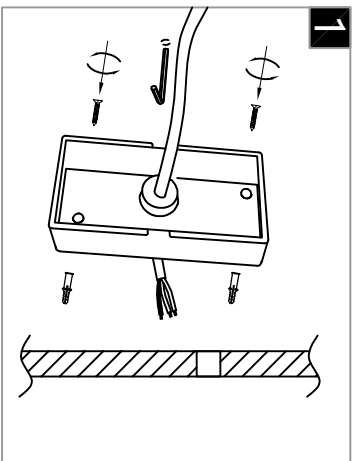
Warning:

This product must be installed by personnel who are familiar with its structure and related hazards, in accordance with the installation specifications. This product is suitable for indoor installation.

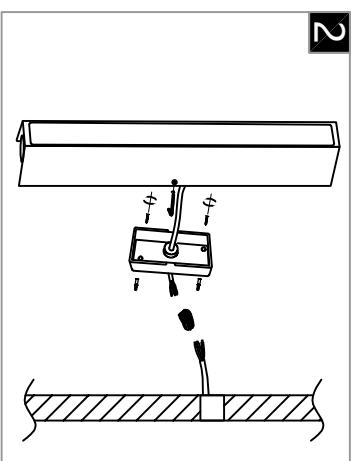


Product style diagram

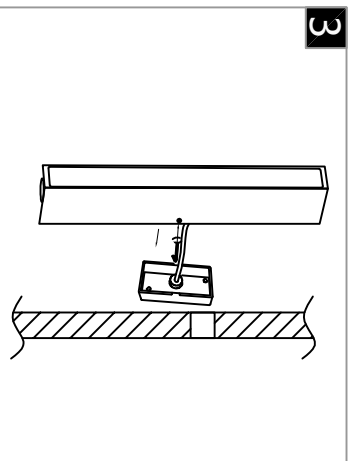
Steps of installation



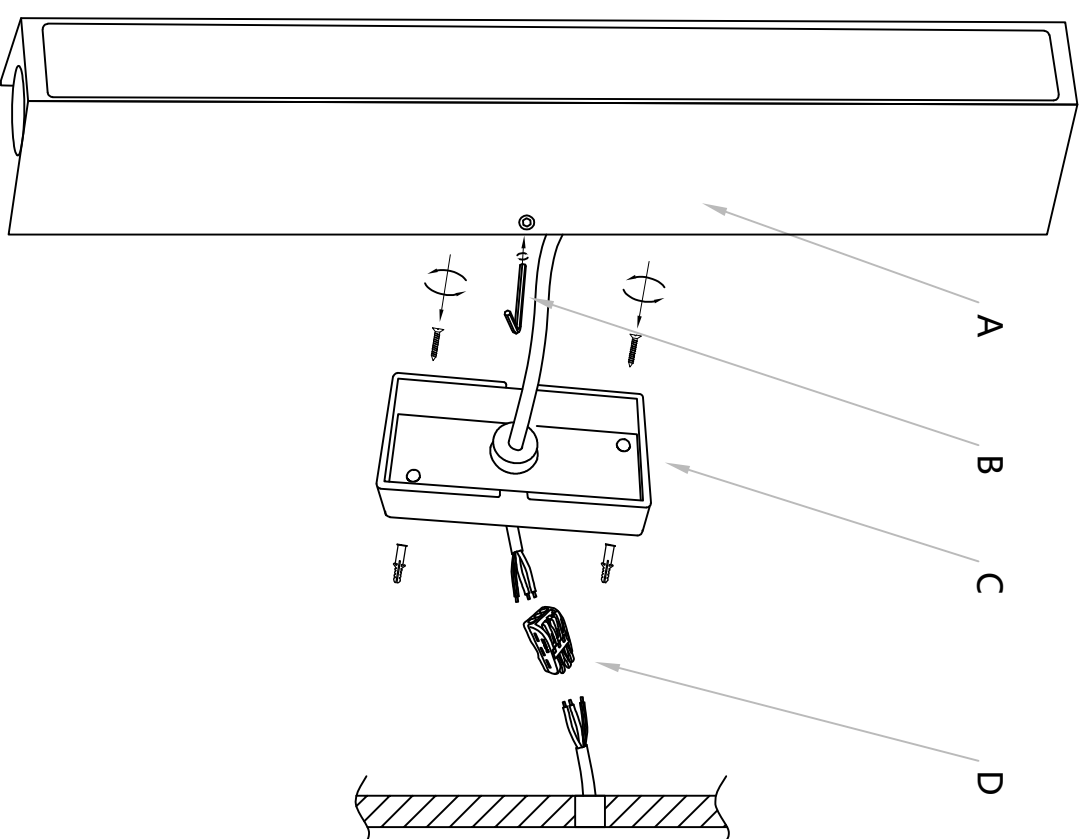
1 Fix the mounting plate to the wall.



2 Connect the wires of the lamp body to the wires of the ceiling using the terminal block.



3 Align the lamp body with the mounting plate on the wall and tighten the screws on both sides with an internal hexagonal wrench.



First, fix the mounting plate (C) to the wall. Then, connect the wires of the lamp body (A) to the wires of the ceiling using the terminal block (D). Next, align the lamp body (A) with the mounting plate (C) on the wall and tighten the screws on both sides with an internal hexagonal wrench.