

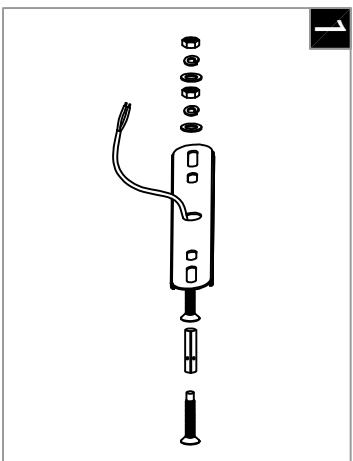
**Warning:**

This product must be installed by personnel who are familiar with its structure and related hazards, in accordance with the installation specifications. This product is suitable for indoor installation.

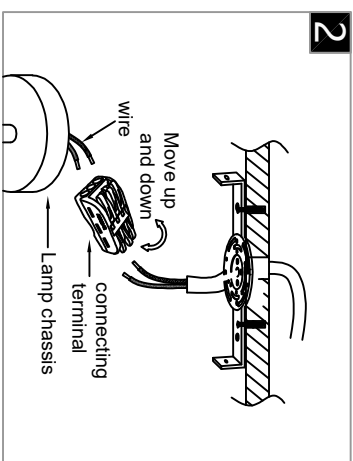


Product style diagram

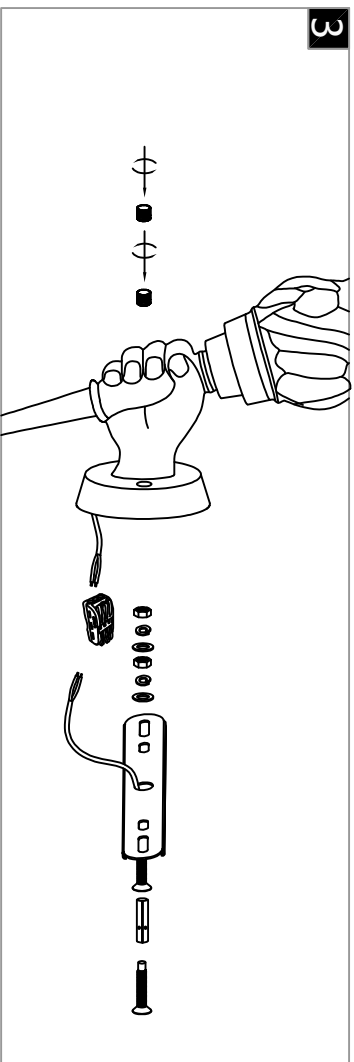
**Steps of installation**



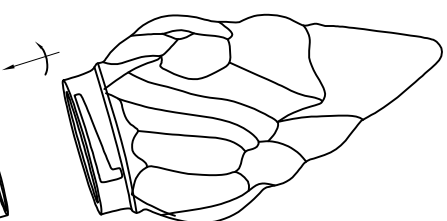
Fix the installation plate to the ceiling.



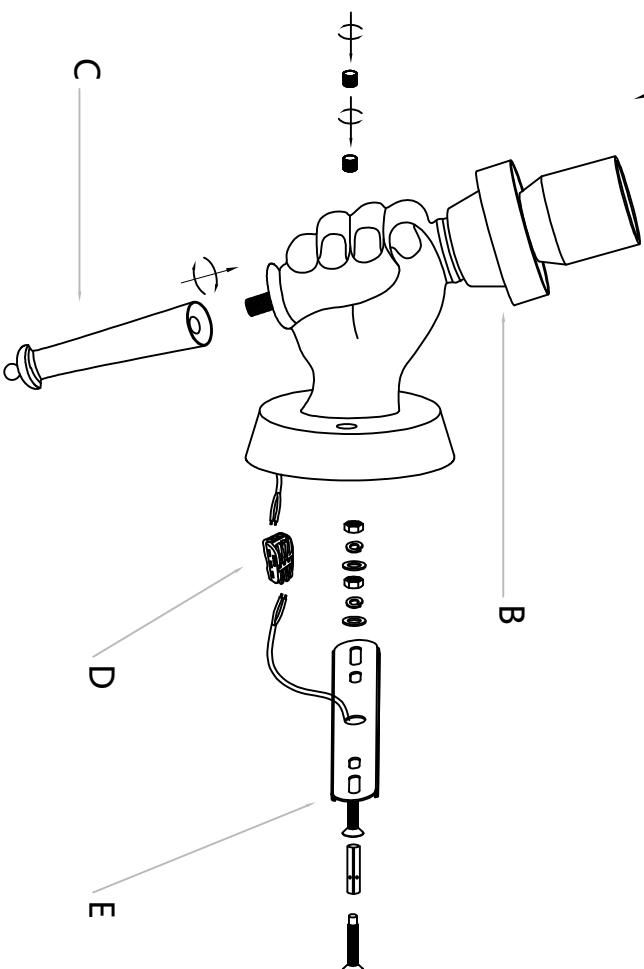
Connect the wires on the top cover to the wires on the ceiling and the terminal block.



Align the holes on the top cover with the holes on the installation plate, and tighten the screws.



B



First, install the bulb onto the lamp body (B). Then, align the holes of the lamp pole (C) with the threaded rod of the lamp body (B) and tighten it. Next, align the holes of the lampshade (A) with the lamp base (B) of the lamp body and tighten it. Then, fix the mounting plate (E) to the ceiling. After that, connect the wires on the lamp head (B) to the wires on the wall and the junction box (D). Finally, align the holes on the lamp body (B) with the threaded rod on the mounting plate (C) and tighten the nut.