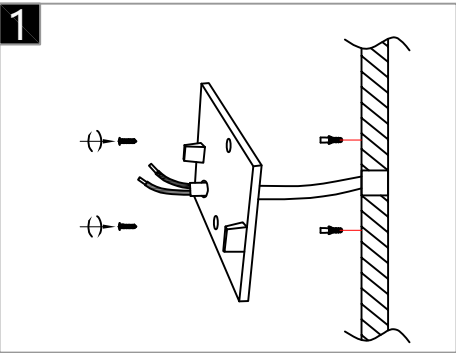
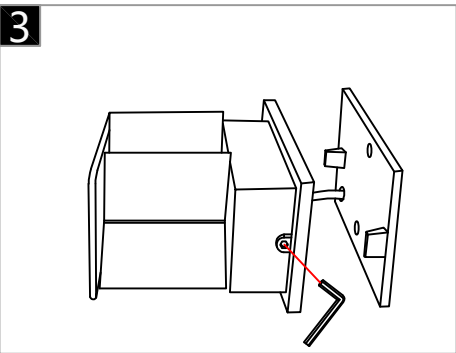


Warning:
This product must be installed by personnel who are familiar with its structure and related hazards, in accordance with the installation specifications. This product is suitable for indoor installation.

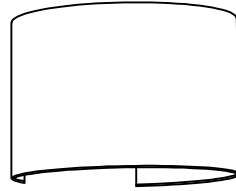
Steps of installation



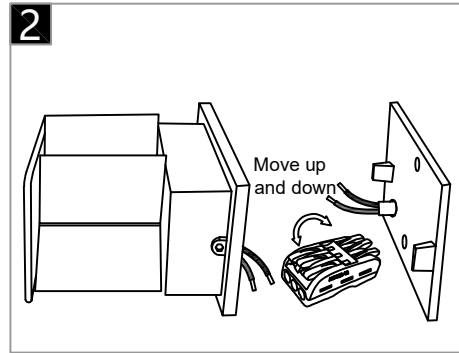
Remove the mounting plate from the lamp body, then attach it to the wall with self-tapping screws, and leave the reserved wire out.



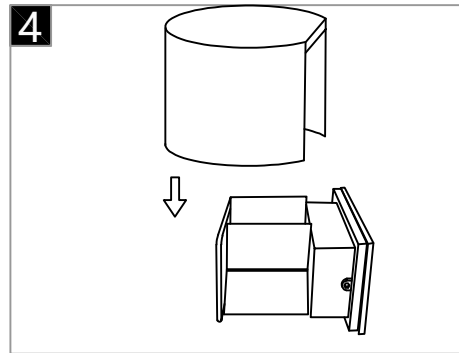
Then, use a hexagonal wrench to install the lamp body onto the mounting plate on the wall.



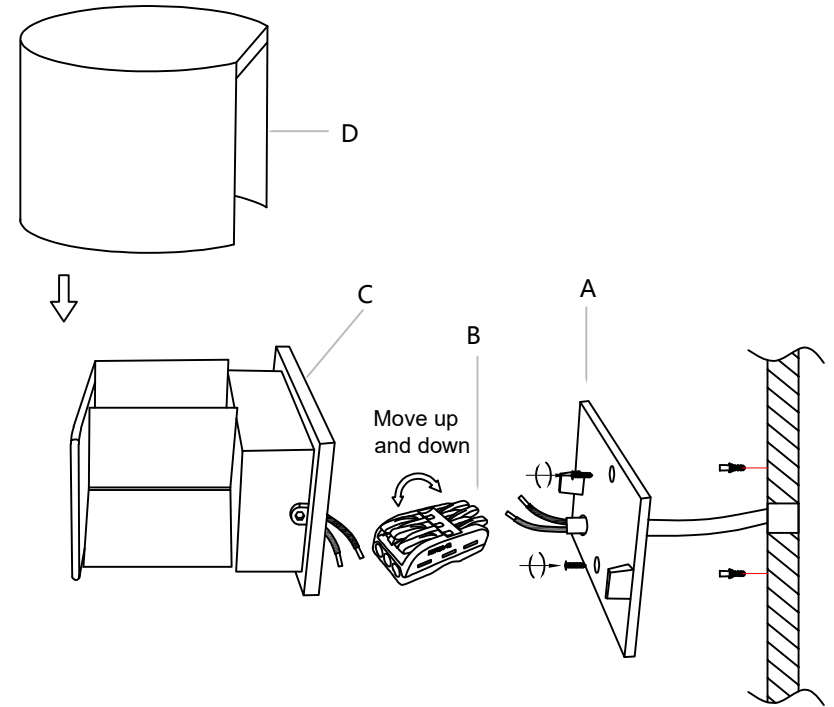
Product style diagram



Then connect the reserved wire on the lamp body and the reserved wire on the wall to the terminal.



Then, install the lampshade downward onto the lamp body.



Fix the mounting plate (A) to the wall using self-tapping screws. Then connect the reserved wires on the lamp body (C) to the reserved wires on the wall and to the terminal block (B). Next, install the lamp body (C) onto the mounting plate (A). Use a hex wrench to tighten it on the edge. Finally, install the lampshade (D) downward onto the lamp body (C).