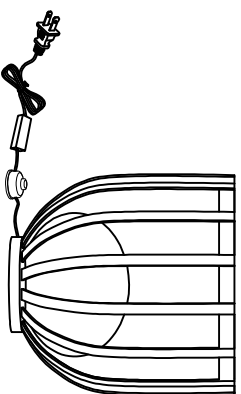


Warning:

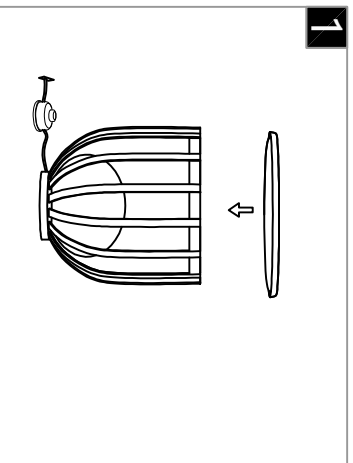
This product must be installed by personnel who are familiar with its structure and related hazards, in accordance with the installation specifications. This product is suitable for indoor installation.



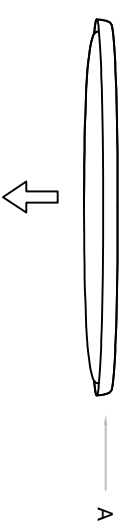
Product style diagram

Steps of installation

1



Install the lamp body cover onto the lamp body.



Install the lamp body cover (A) onto the lamp body (B)