

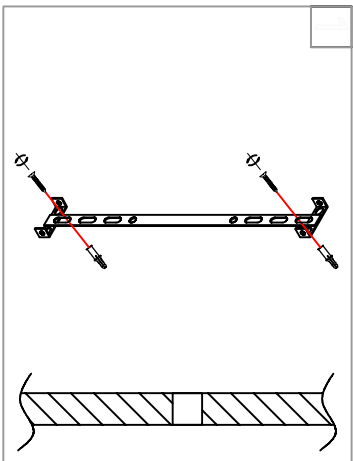


Warning:
This product must be installed by personnel who are familiar with its structure and related hazards, in accordance with the installation specifications. This product is suitable for indoor installation.

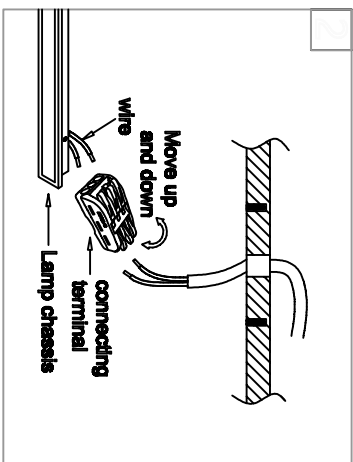


Product style diagram

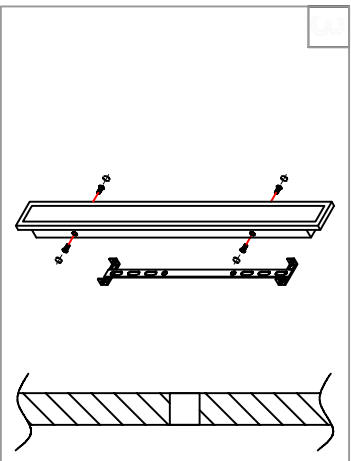
Steps of installation



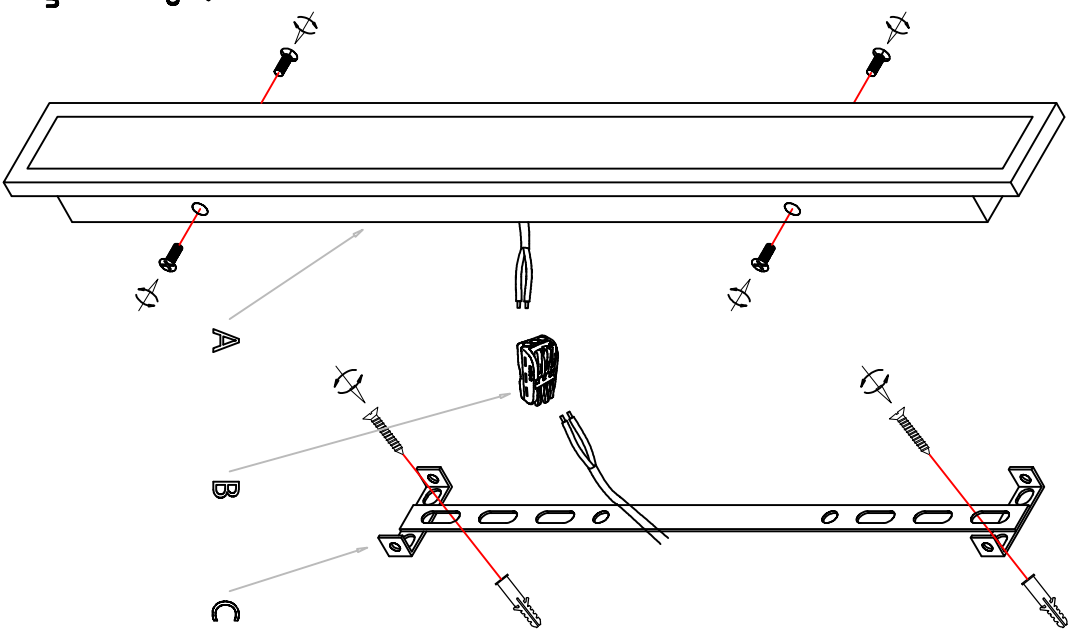
Fix the installation plate to the ceiling



Use the terminal blocks to connect the wires of the top cover to the wires on the wall

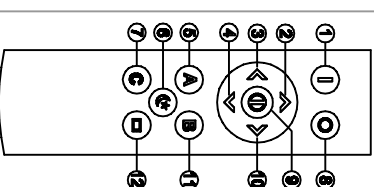


Align the holes on the top cover with the holes on the installation plate, and tighten the screws.



First, install the mounting plate (A) onto the wall.
Next, connect the wires of the lamp body (B) to the wires of the wall using the terminal blocks

(B). Then, align the holes of the lamp body (A) with those of the mounting plate (A) and tighten the screws.



- ① Light switch/Press and hold the light for 7 seconds when it is powered on to unbind the control.
- ② Brightness Increase button
- ③ Color temperature button
- ④ Brightness Increase button
- ⑤ Group 1: On/Off (Press and hold for 7 seconds after the light is powered on to control the on/off of the light)
- ⑥ Night light button
- ⑦ Group 2: On/Off (Press and hold for 7 seconds after the light is powered on to control the on/off of the light)
- ⑧ Light-off button
- ⑨ Brightness reduction button
- ⑩ Color temperature reduction key
- ⑪ Group 3: On/Off (Press and hold for 7 seconds after the light is powered on to control the on/off of the light)
- ⑫ Auxiliary lighting / Electric curtains / 2.4G device connection and control