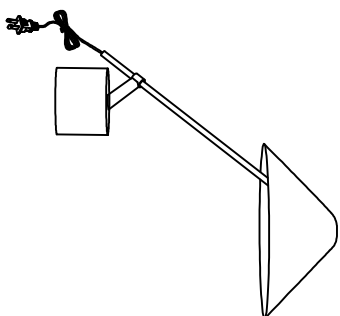


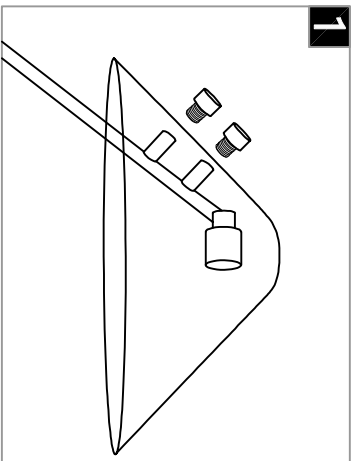
Warning:

This product must be installed by personnel who are familiar with its structure and related hazards, in accordance with the installation specifications. This product is suitable for indoor installation.

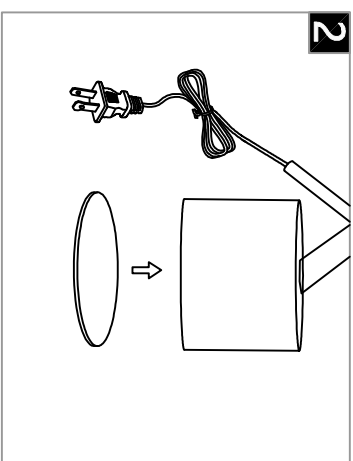


Product style diagram

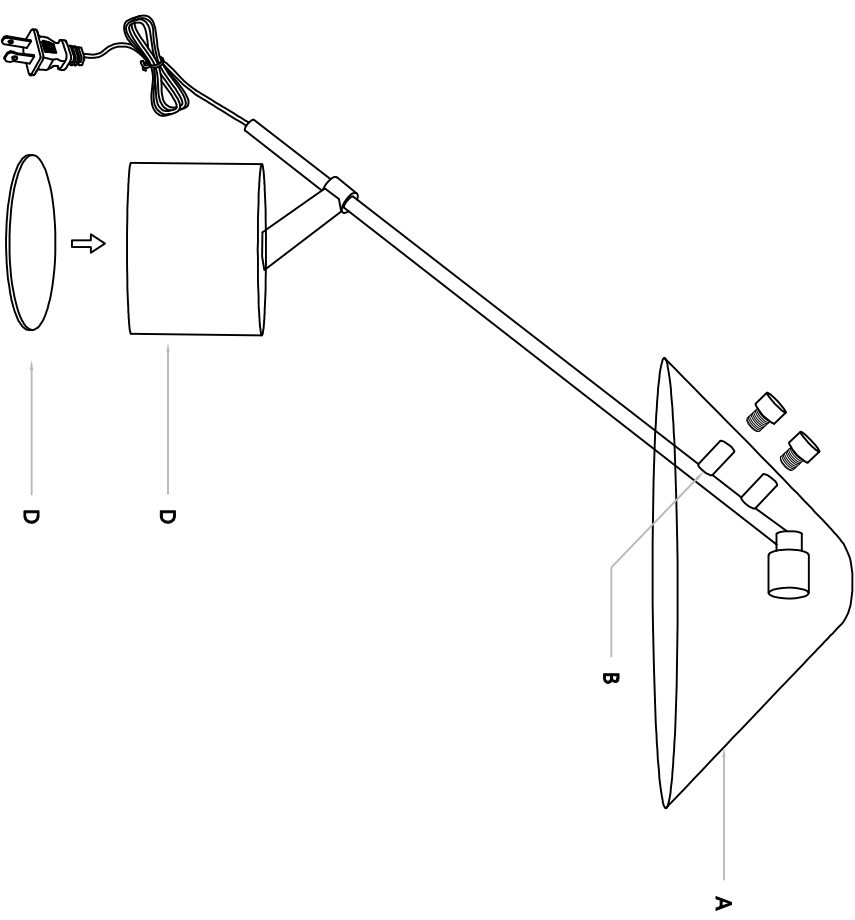
Steps of installation



Align the holes on the lampshade with the screw holes on the lamp body bracket, and then fix them together with screws.



Attach the anti-slip mat to the base.



Align the holes on the lampshade (A) with the screw holes on the lamp body bracket (B), then fix them with screws. Finally, attach the anti-slip pad (D) to the base (C).