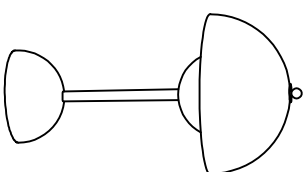


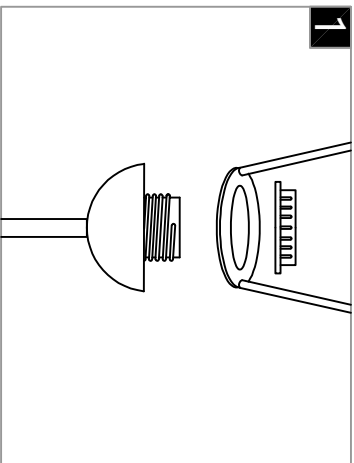
Warning:

This product must be installed by personnel who are familiar with its structure and related hazards, in accordance with the installation specifications. This product is suitable for indoor installation.

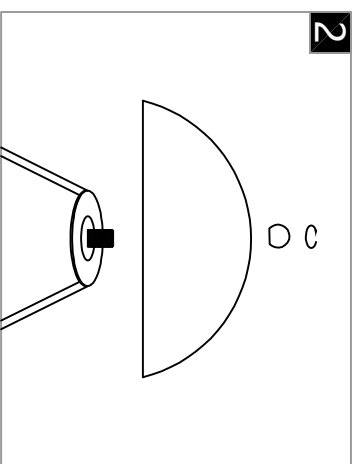


Product style diagram

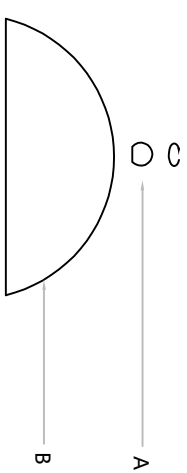
Steps of installation



1 First, attach the bracket to the lamp body using the lamp head ring.

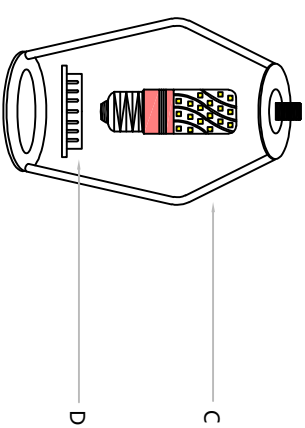


2 Finally, use the flat-head screw to secure the lampshade onto the bracket.



A

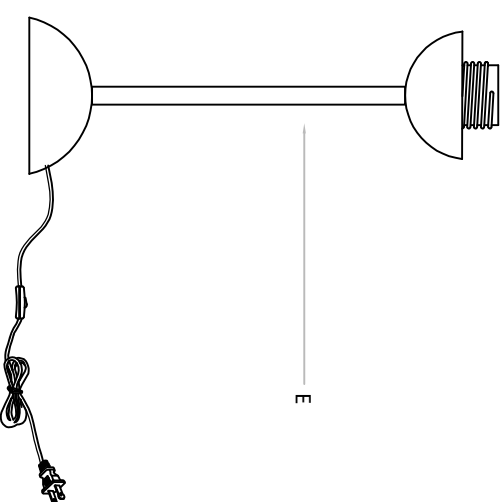
B



C

D

E



First, attach the bracket (C) to the lamp body (E) using the lamp head ring (D). Finally, secure the lamp shade (B) to the bracket (D) using the light head socket (A).