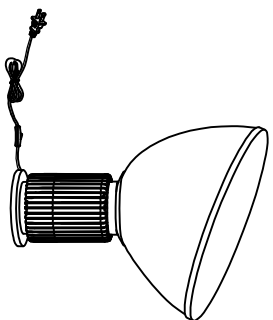


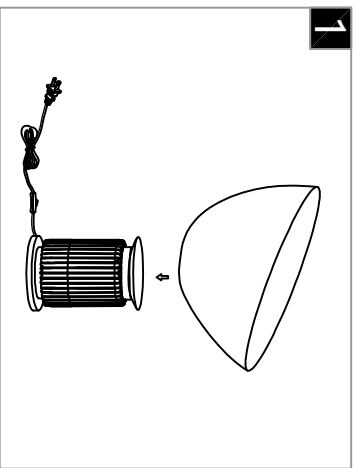
Warning:

This product must be installed by personnel who are familiar with its structure and related hazards, in accordance with the installation specifications. This product is suitable for indoor installation.

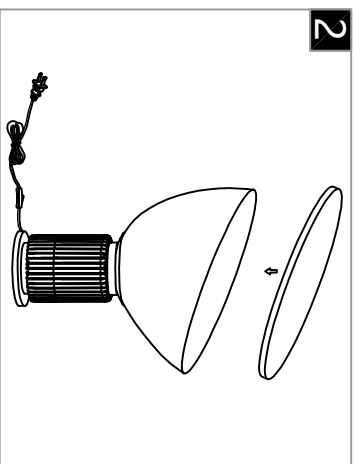


Product style diagram

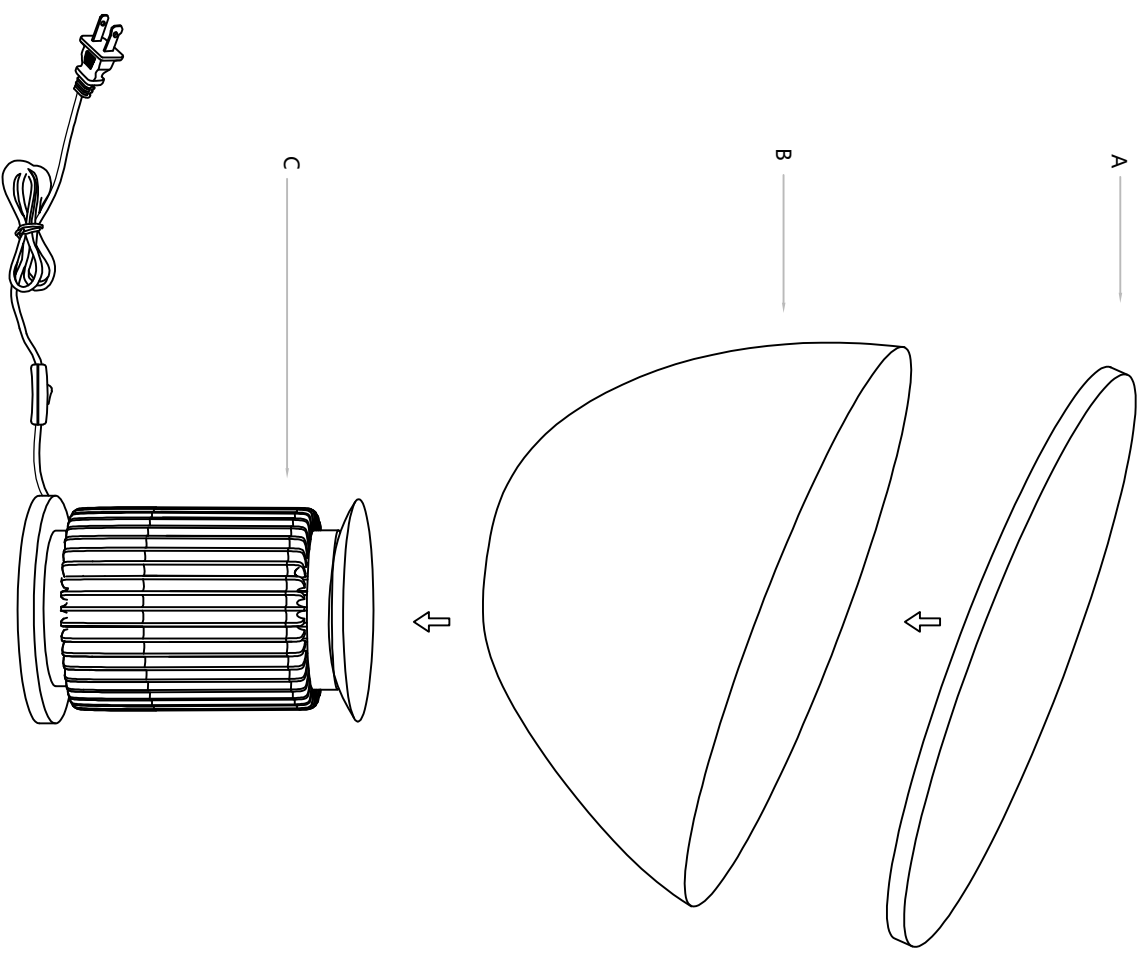
Steps of installation



Install the glass lampshade onto the lamp base.



Put the lampshade cover over the glass lampshade.



Install the glass lampshade (B) onto the lamp base (C), and then attach the lampshade cover (A) to the glass lampshade (B).