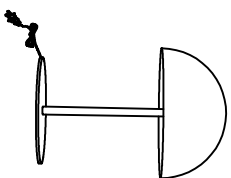


Warning:

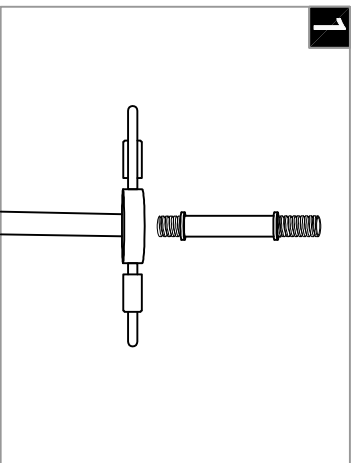
This product must be installed by personnel who are familiar with its structure and related hazards, in accordance with the installation specifications. This product is suitable for indoor installation.



Product style diagram

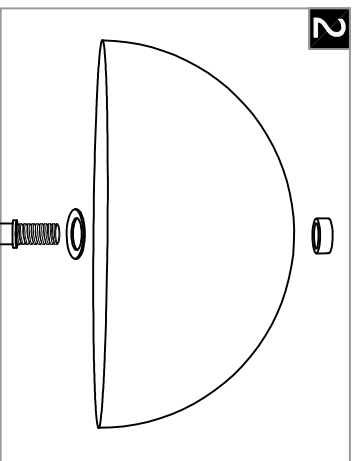
Steps of installation

1

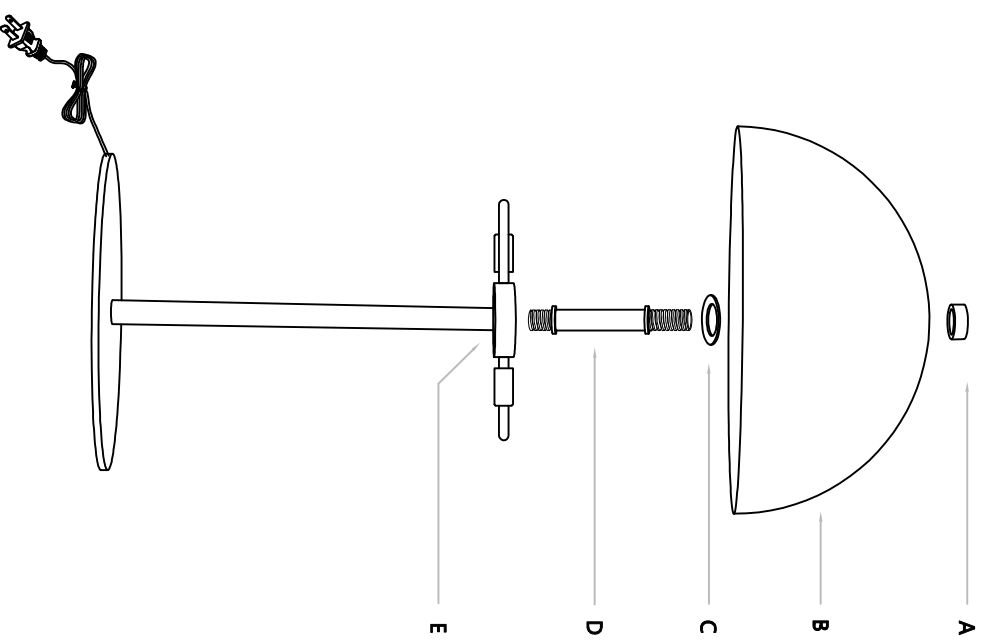


First, install the threaded rod onto the lamp body box.

2



Then place the gasket on the threaded rod, then put the lampshade on the threaded rod, and finally secure it with a nut.



First, install the threaded rod (D) onto the lamp body box (E). Then, place the washer (C) on the threaded rod (D). Next, put the lampshade (B) onto the threaded rod (D). Finally, use the nut (A) to secure it.