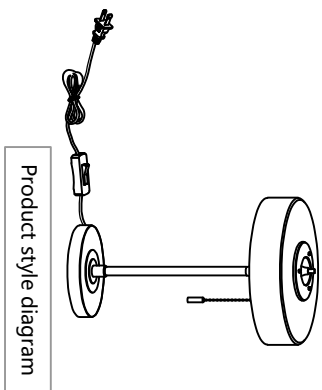
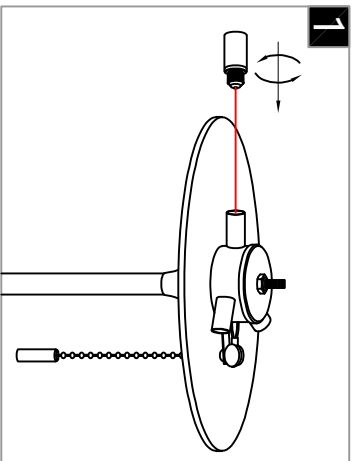


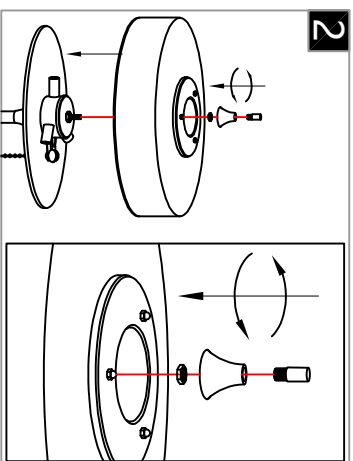
Warning:
This product must be installed by personnel who are familiar with its structure and related hazards, in accordance with the installation specifications. This product is suitable for indoor installation.



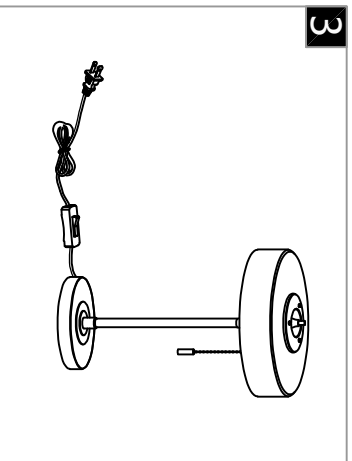
Steps of installation



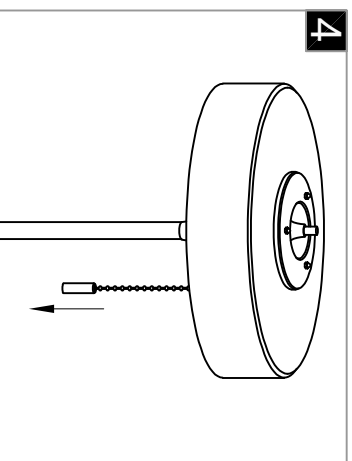
Install the light bulb onto the lamp head of the lamp body.



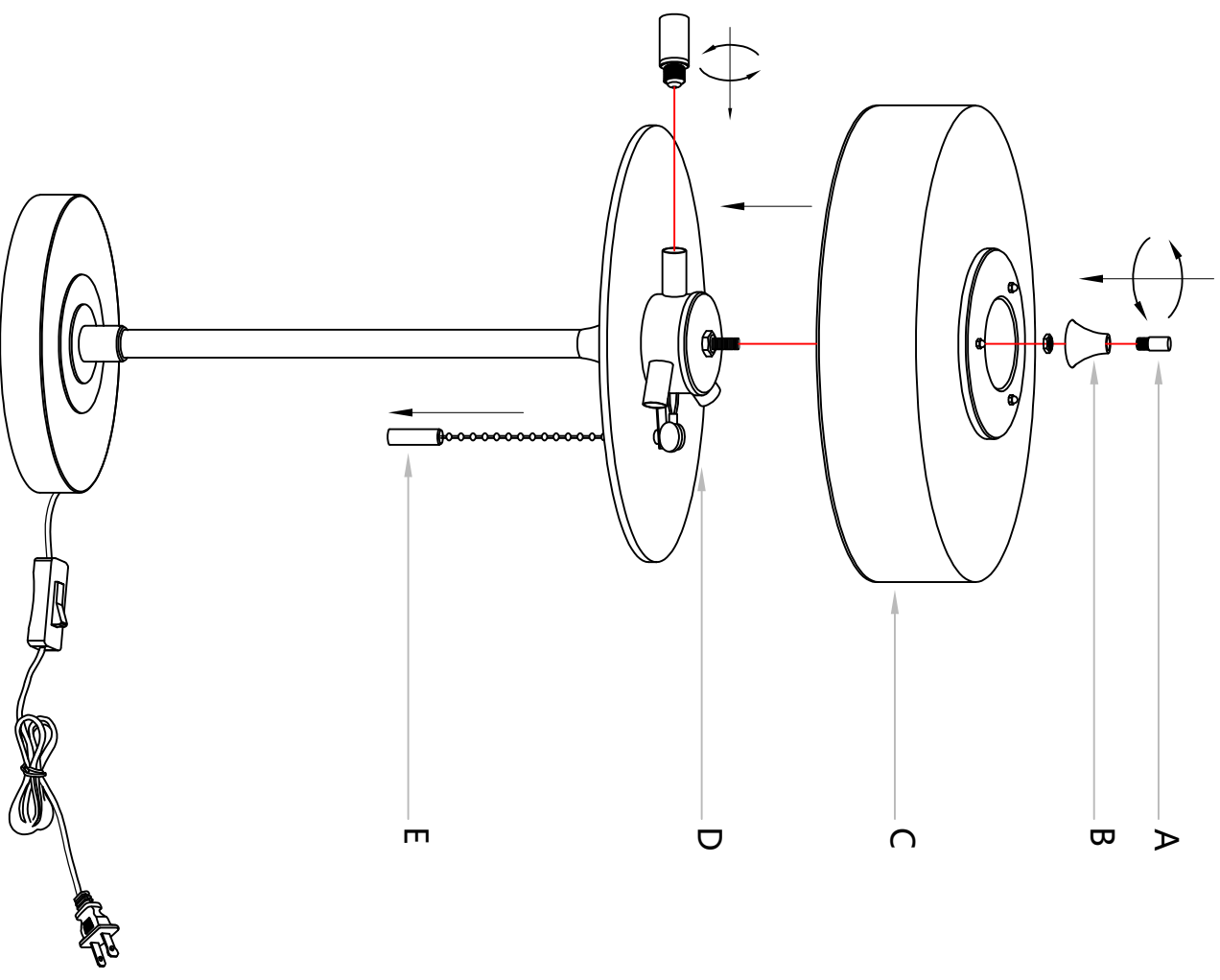
Align the central hole of the disc with the threaded tube on the lamp body, and tighten the nut (once the nut is tightened, the disc will not loosen). Then tighten the conical nut, and then install the cylinder onto the conical nut.



Insert the lamp into the socket.



Pulling the pull cord switch can turn the light on or off.



First, install the light bulb onto the lamp head (D) of the lamp body. Next, align the central hole of the disc (C) with the threaded tube on the lamp body (D), and tighten the nut (once the nut is tightened, the disc will not loosen). Then tighten the conical nut (B), and then install the cylinder (A) onto the conical nut (B). Then, insert the lamp into the socket. Pulling the pull cord switch can turn the light on or off.