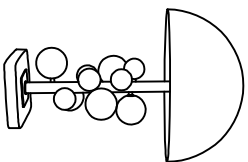


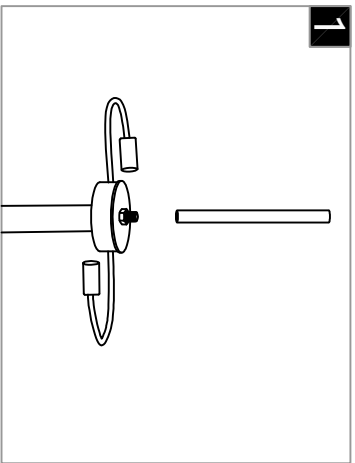
Warning:

This product must be installed by personnel who are familiar with its structure and related hazards, in accordance with the installation specifications. This product is suitable for indoor installation.

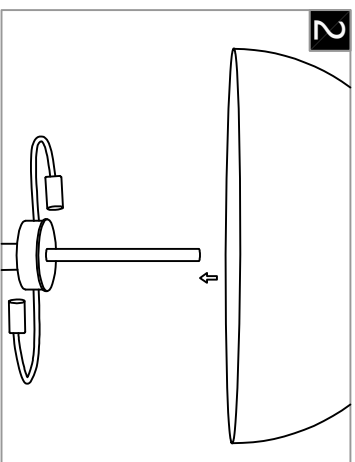


Product style diagram

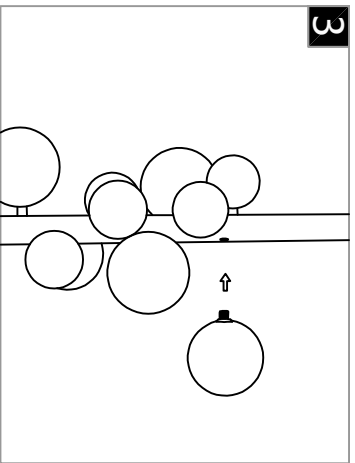
Steps of installation



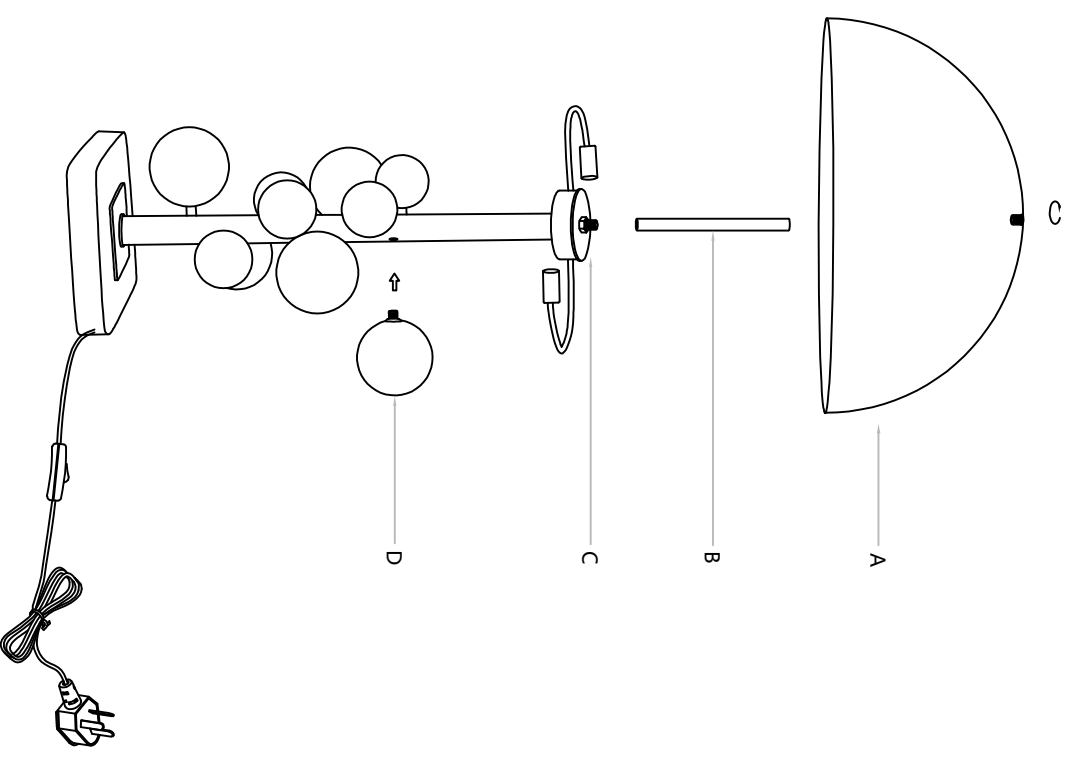
First, screw the threaded rod onto the lamp body box.



Then, screw the lampshade onto the threaded rod again.



Finally, screw the glass ball onto the lamp body.



First, screw the threaded rod (B) onto the lamp body box (C). Then, screw the lampshade (A) onto the threaded rod (B). Finally, screw the glass ball (D) onto the lamp body.