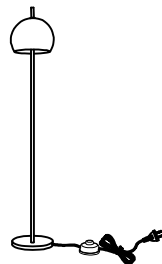


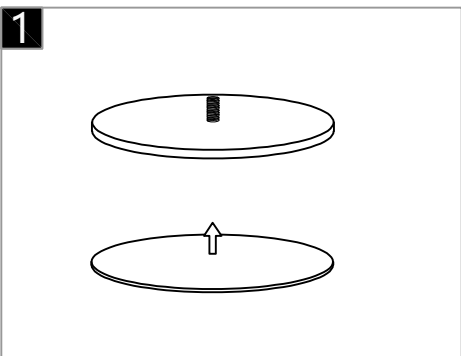
**Warning:**

This product must be installed by personnel who are familiar with its structure and related hazards, in accordance with the installation specifications. This product is suitable for indoor installation.

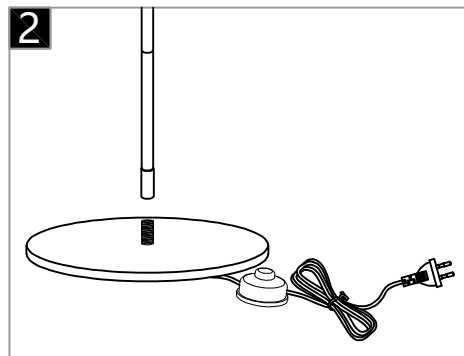


Product style diagram

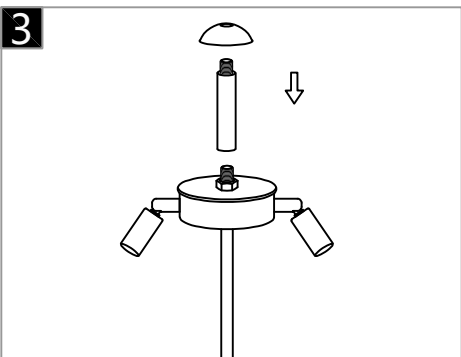
**Steps of installation**



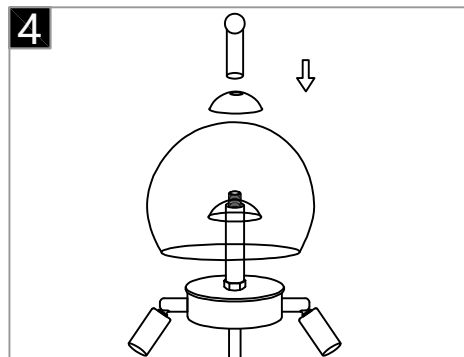
First, stick the anti-slip pad onto the base.



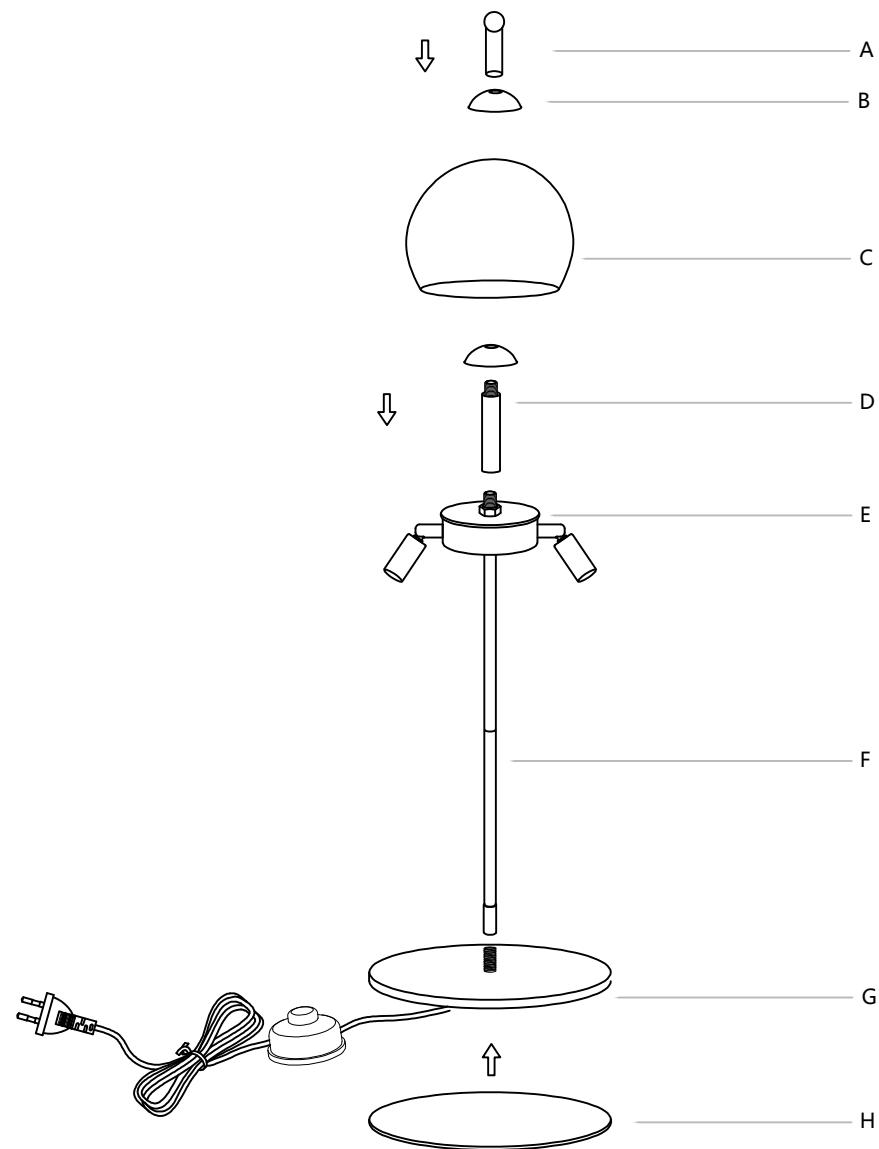
Connect the lamp body connecting rods together and then fix them onto the base.



Install the connecting rod onto the lamp body and then place the semi-circular cover on top.



Then install the glass lampshade onto the connecting rod. Next, place a semi-circular cover on the top of the glass lampshade. Finally, tighten everything using the connecting rod.



First, install the anti-slip pad (H) on the base (G). Then, assemble the lamp body connecting rods (F) together and fix them onto the base (G). Next, install the threaded rod (D) onto the lamp body box (E), then insert the semi-circular cover (B) onto the threaded rod (D), install the glass cover (C) next, place the semi-circular cover (B) at the top again, and finally tighten it onto the threaded rod (D) using the connecting rod (A).