

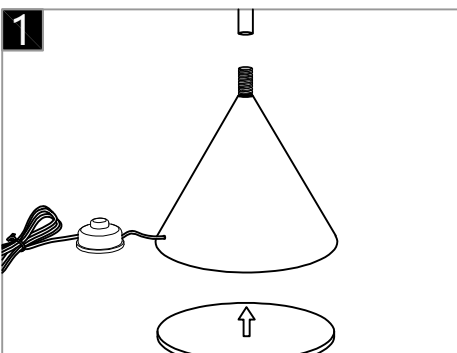
Warning:

This product must be installed by personnel who are familiar with its structure and related hazards, in accordance with the installation specifications. This product is suitable for indoor installation.

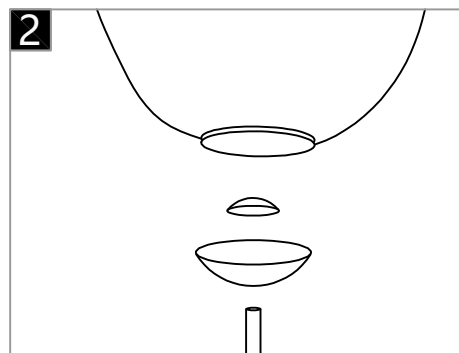


Product style diagram

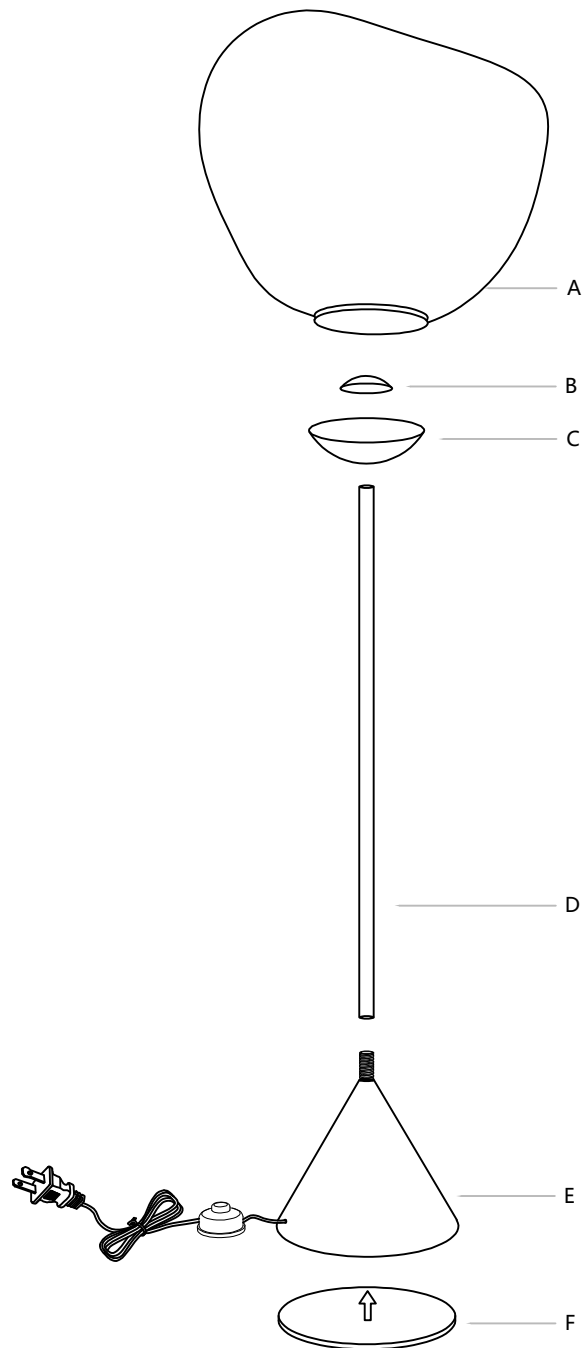
Steps of installation



Attach the lamp connection rod to the base box, and then stick the anti-slip pad onto the base box.



Attach the lamp head tray to the threaded rod, then place the semi-circular lampshade over the lamp head tray. It is best to screw the glass shade onto the lamp head tray clockwise.



Attach the anti-slip pad (F) to the marble base (E), then fix the threaded rod (D) to the marble base (E), then install the lamp head tray (C) onto the threaded rod (D), then attach the semi-circular lampshade (B) to the lamp head tray (C), and it would be best to screw the glass cover (A) onto the lamp head tray (C) clockwise.