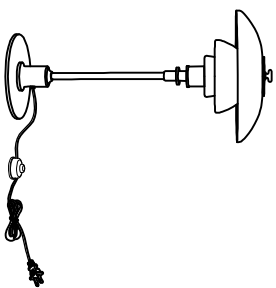


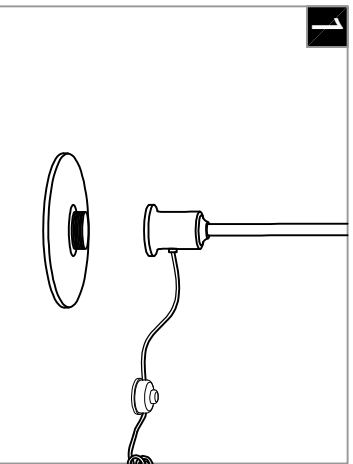
Warning:

This product must be installed by personnel who are familiar with its structure and related hazards, in accordance with the installation specifications. This product is suitable for indoor installation.

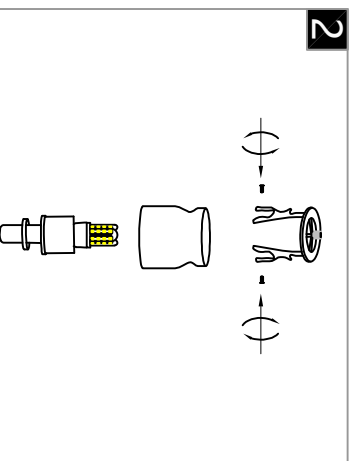


Product style diagram

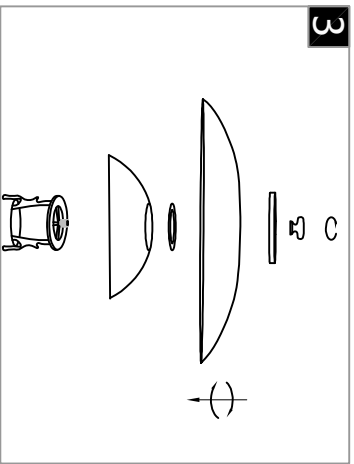
Steps of installation



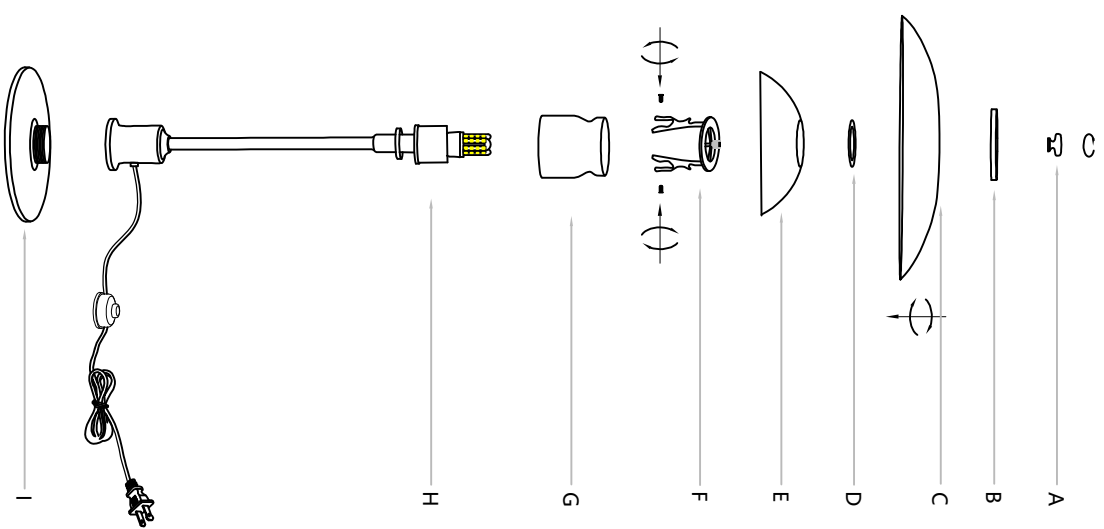
First, turn the lamp body clockwise onto the base.



Then place the lamp body tray on the lamp head part of the lamp body. Next, install the bracket onto the lamp body tray and tighten the screws.



Place the lamp base tray on the lamp head part of the lamp body, then install it onto the lamp base tray using the bracket, and then tighten the screws.



First, screw the lamp body (H) onto the base (I) clockwise. Then place the lamp body tray (G) on the lamp head part of the lamp body (H). Next, install the bracket (F) onto the lamp body tray (G) and lock the screws. Then install the lower lamp cover (E). Place the rubber gasket (D) on the lower lamp cover (E), then install the upper lamp cover (C), and finally place the round cover plate (B) on top. Then lock it with the nut (A).