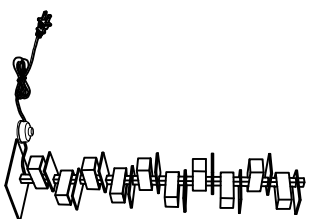


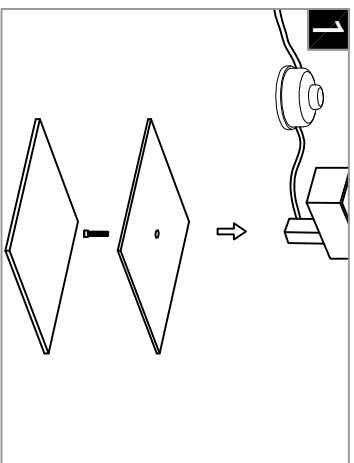
Warning:

This product must be installed by personnel who are familiar with its structure and related hazards, in accordance with the installation specifications. This product is suitable for indoor installation.

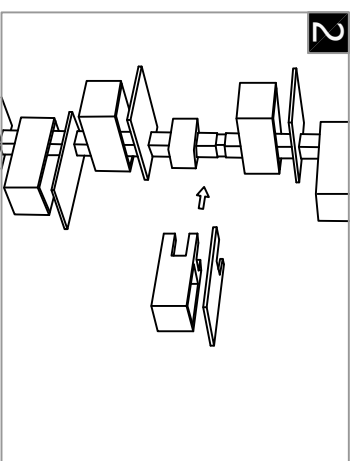


Product style diagram

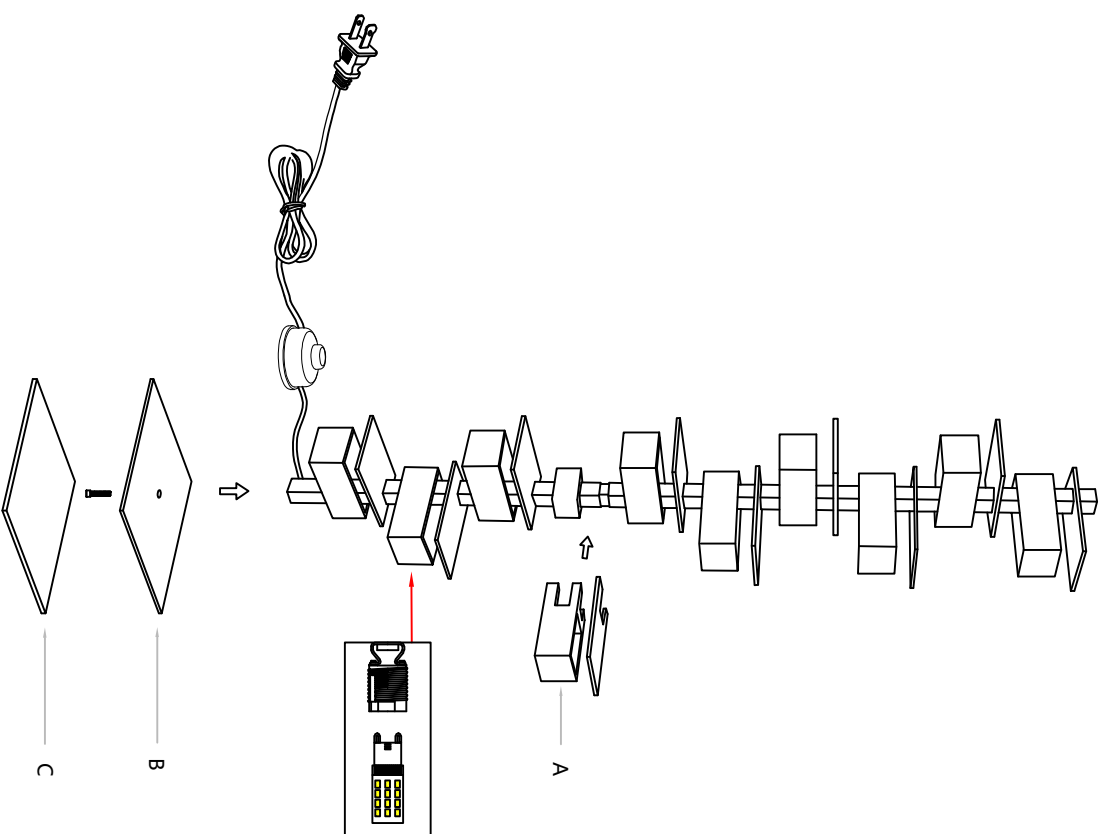
Steps of installation



Use screws to install the base onto the lamp frame, and then attach the anti-slip pad to the base.



and insert the decorative panel into the lamp frame.



Fix the base **(B)** onto the lamp frame using screws, then attach the anti-slip pad **(C)** to the base **(B)**, and finally insert the decorative panel **(A)** into the lamp frame.