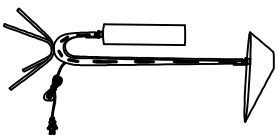
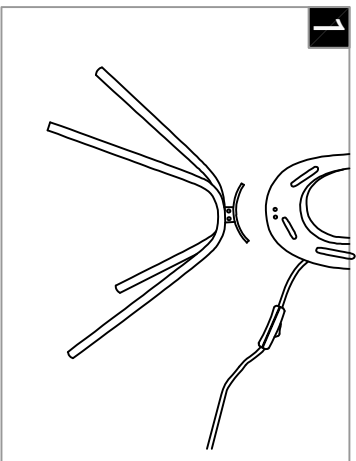


**Warning:**  
 This product must be installed by personnel who are familiar with its structure and related hazards, in accordance with the installation specifications. This product is suitable for indoor installation.

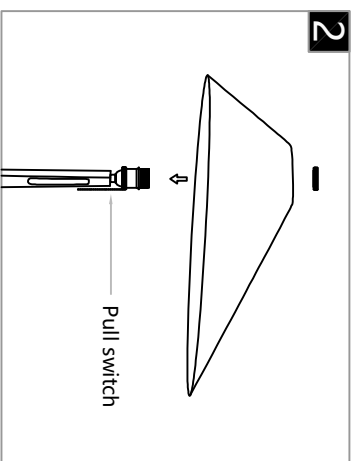


Product style diagram

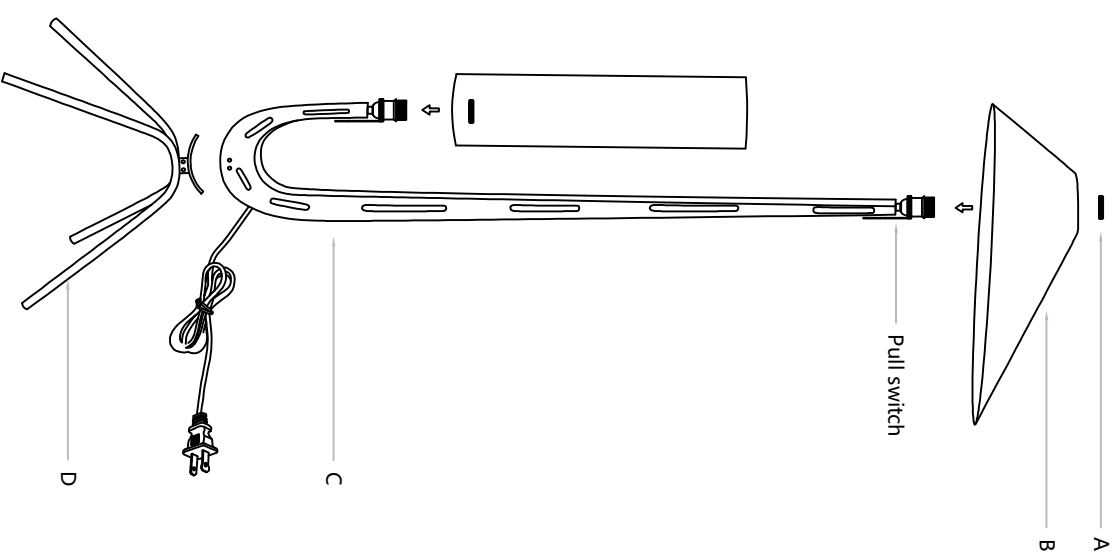
## Steps of installation



**1** Install the lamp body onto the base of the bracket, and then secure it with screws.



**2** The lampshade is installed onto the lamp head, and then the lamp head is locked in place with a ring lock.



First, install the lamp body (C) onto the base of the bracket (D), then secure it with screws. Next, attach the lampshade (A) to the lamp head, and finally lock it in place with the lamp head ring (B).