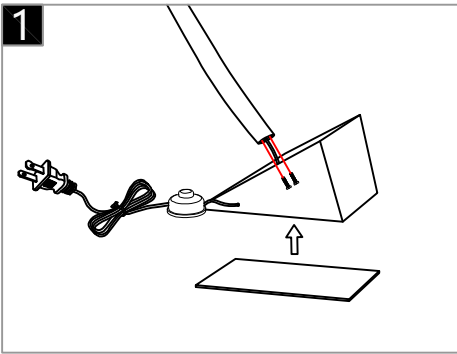


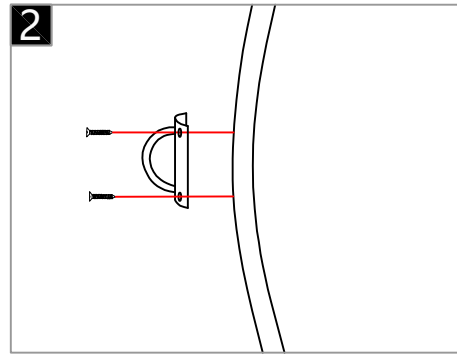
Warning:

This product must be installed by personnel who are familiar with its structure and related hazards, in accordance with the installation specifications. This product is suitable for indoor installation.

Steps of installation

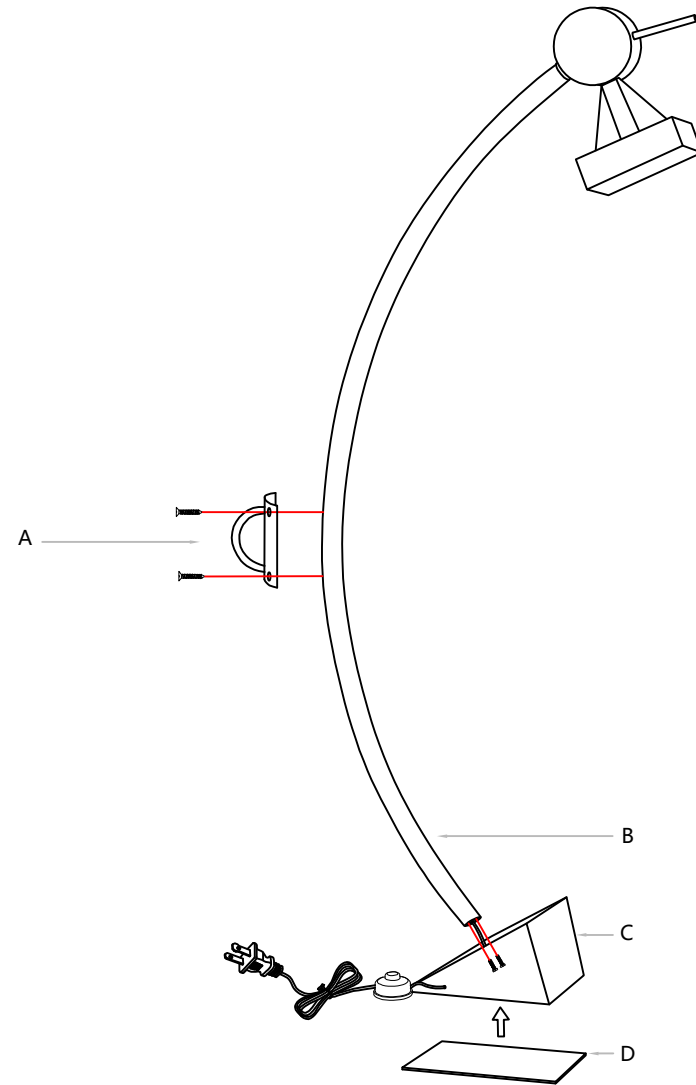
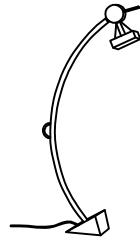


Attach the lamp connection rod to the base box, and then stick the anti-slip pad onto the base box.



Install the handrails onto the connecting rods.

Product style diagram



Attach the lamp connecting rod (B) to the base box (C), then stick the anti-slip pad (D) onto the base box, and finally install the handrail (A) onto the connecting rod (B).