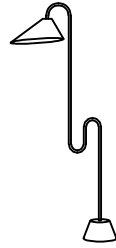
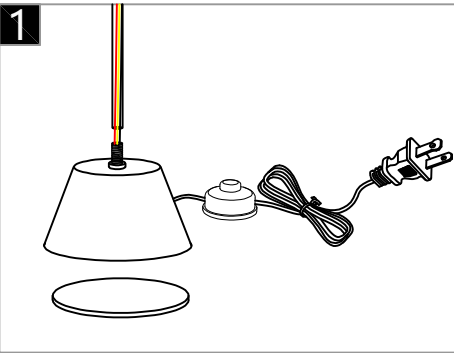


Warning:
This product must be installed by personnel who are familiar with its structure and related hazards, in accordance with the installation specifications. This product is suitable for indoor installation.

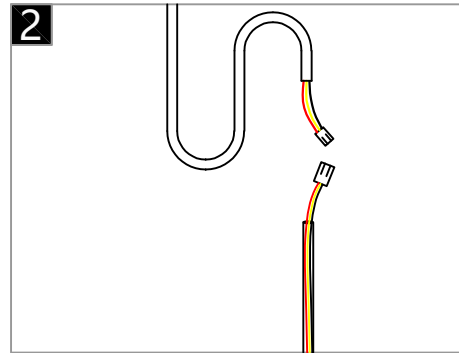


Product style diagram

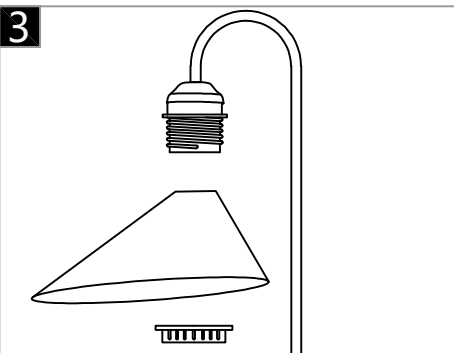
Steps of installation



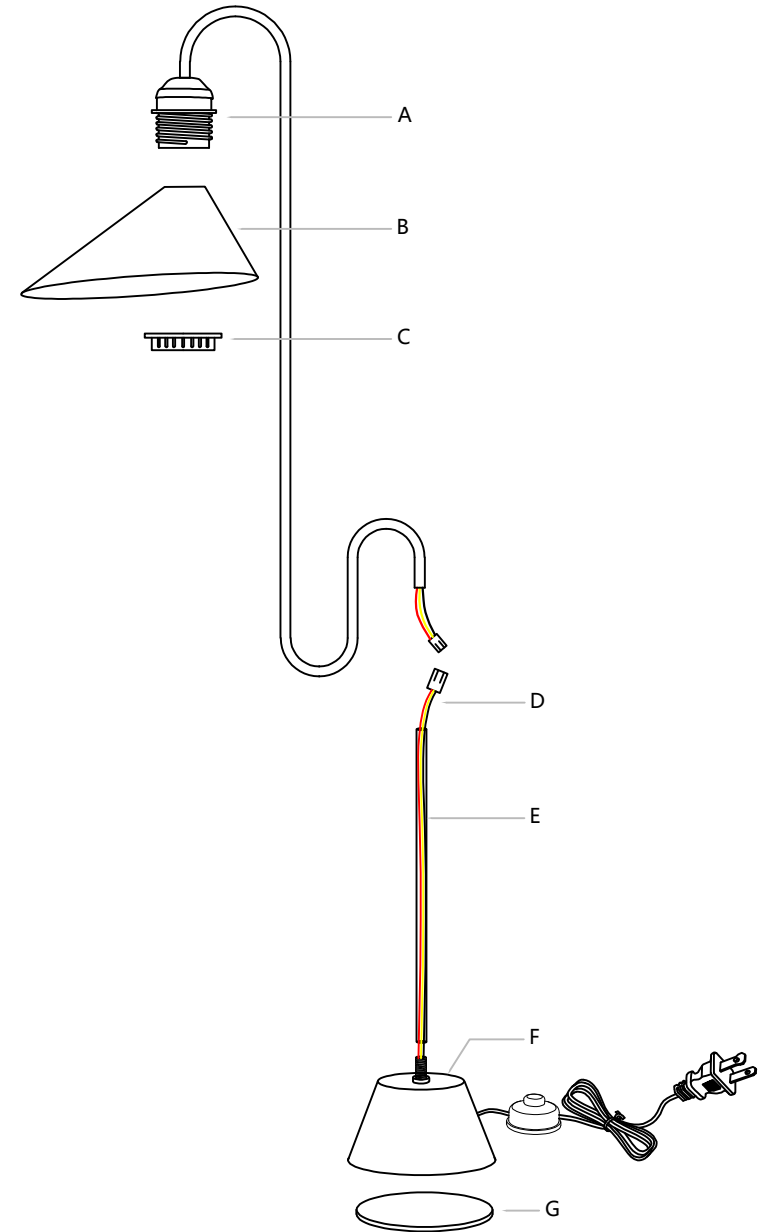
First, stick the anti-slip pad onto the base. Then, thread the wires through the connecting rod. Finally, install the connecting rod onto the base.



First, connect the wires on the upper and lower connecting rods together, and then fix the upper lamp pole onto the lower lamp pole.



Finally, install the lampshade onto the lamp head, and then tighten it with the lamp head ring.



First, stick the anti-slip pad (**G**) onto the base (**F**). Then, fix the lamp body connecting rod (**E**) onto the base (**F**). Next, connect the wires together. Then, fix the upper lamp pole onto the lower lamp pole (**E**). After that, install the lampshade (**B**) onto the lamp head (**A**). Finally, tighten it with the lamp head ring (**C**).