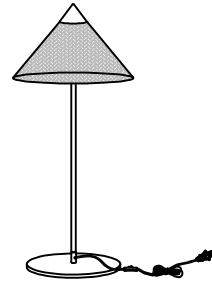
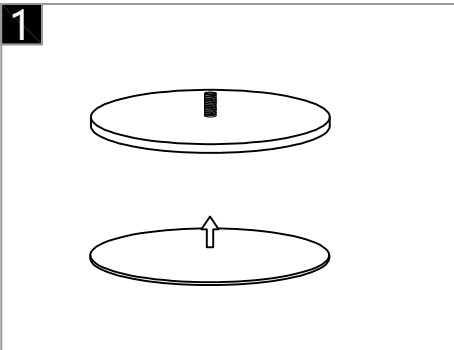


Warning:
This product must be installed by personnel who are familiar with its structure and related hazards, in accordance with the installation specifications. This product is suitable for indoor installation.

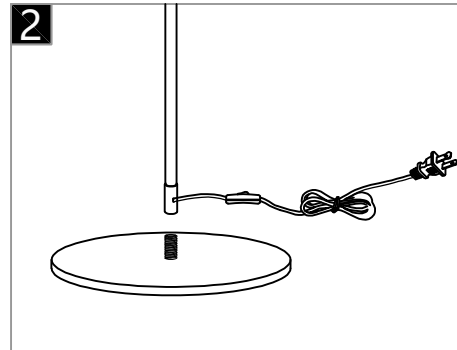


Product style diagram

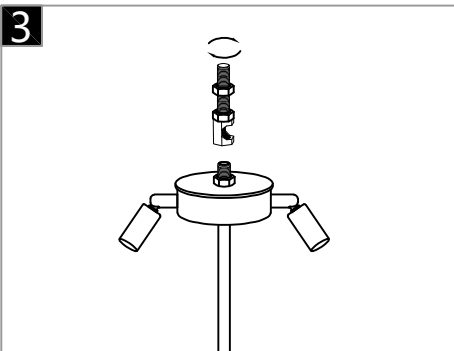
Steps of installation



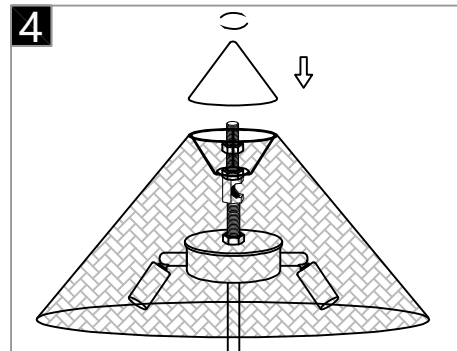
First, stick the anti-slip pad onto the base.



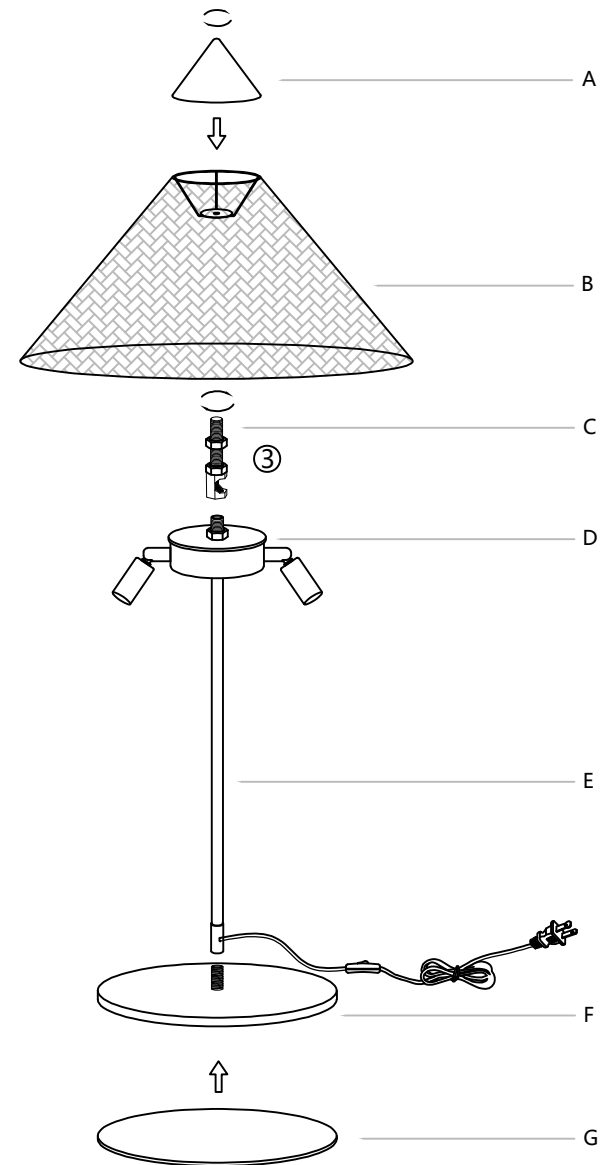
Then install the lamp body connecting rod onto the base.



Then, install the screw adapter onto the lamp cap.



Finally, attach the lampshade to the lamp head screw, and then tighten it with the lampshade cover.



First, install the anti-slip pad (G) onto the base (F). Then, attach the lamp body connecting rod (E) to the base (F). Next, insert the screw adapter (C) into the lamp cap (D) and lock it in place. After that, attach the lampshade (B) to the screws on the lamp cap (D). Finally, screw the lampshade cover (A) onto the screws to secure it.