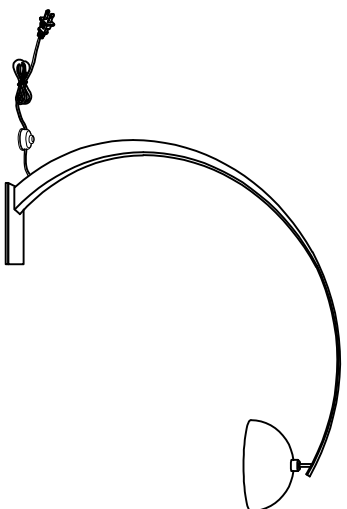


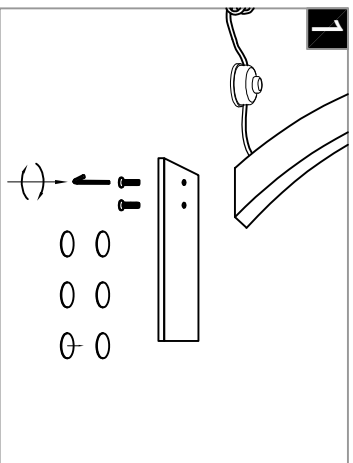
Warning:

This product must be installed by personnel who are familiar with its structure and related hazards, in accordance with the installation specifications. This product is suitable for indoor installation.

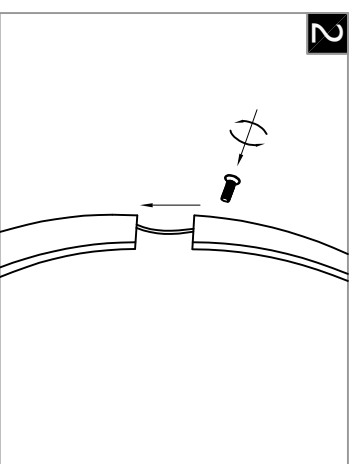


Product style diagram

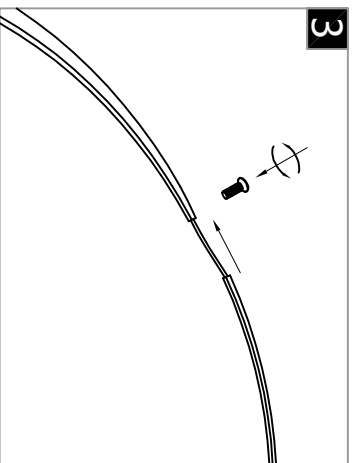
Steps of installation



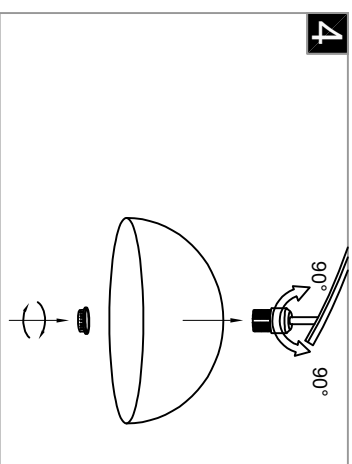
Attach the gasket to the base, then install the thick lamp pole onto the base and tighten the screws.



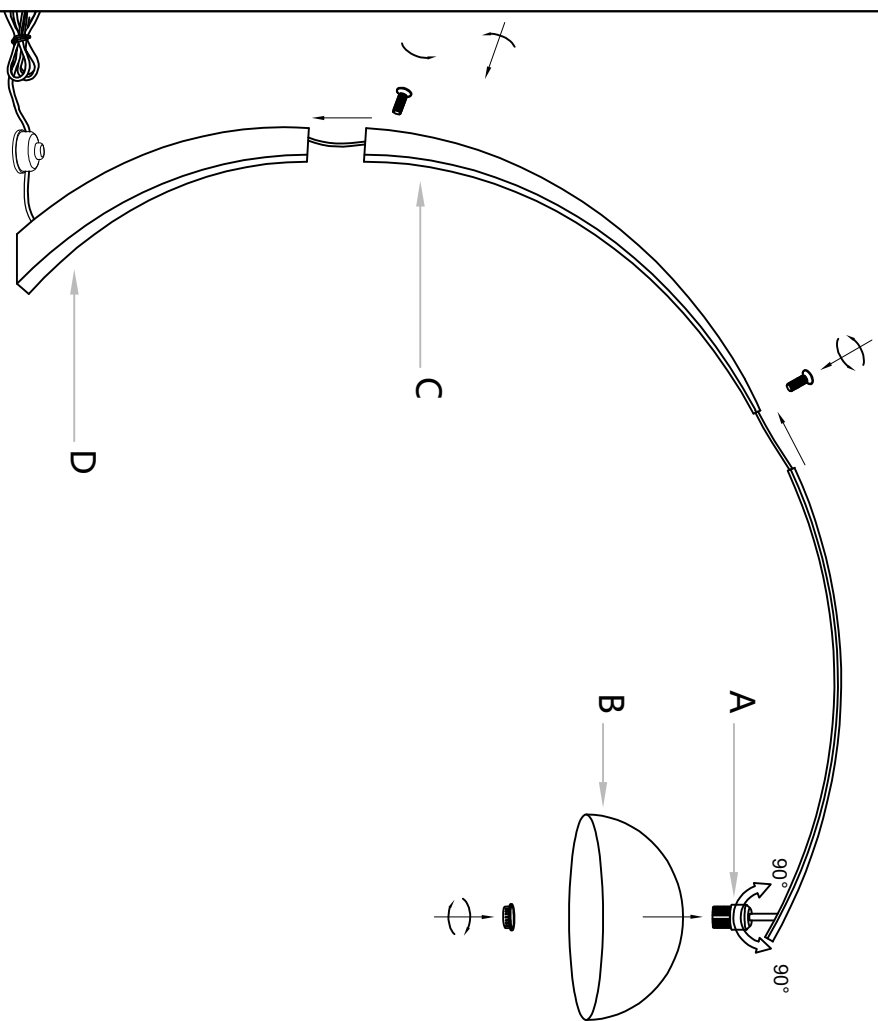
Attach the lamp pole to the thick lamp pole and tighten the screws.



Attach the thin lamp pole to the lamp pole and tighten the screws.



Align the holes of the lampshade with the threads of the thin lamp pole, tighten the nut, and install the bulb. (The lampshade can swing 180 degrees.)



First, attach the gasket (F) to the base (E), then install the thick lamp pole (D) onto the base (E) and tighten the screws. Then, attach the lamp pole (C) to the thick lamp pole (D) and tighten the screws. Next, attach the thin lamp pole (A) to the lamp pole (C) and tighten the screws. Then align the holes of the lampshade (B) with the threads of the thin lamp pole (A), tighten the nut, and install the bulb. (The lampshade can swing 180 degrees.)