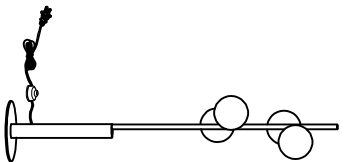


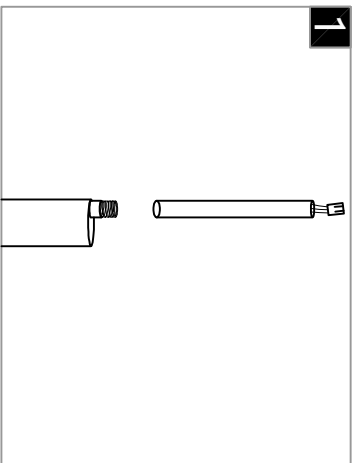
**Warning:**

This product must be installed by personnel who are familiar with its structure and related hazards, in accordance with the installation specifications. This product is suitable for indoor installation.



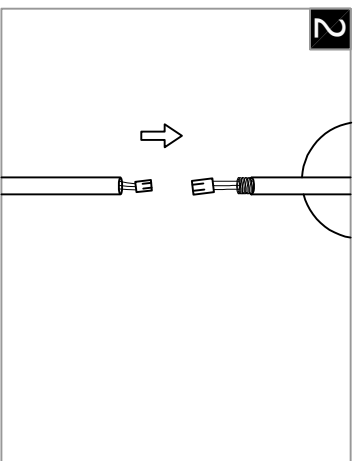
Product style diagram

### Steps of installation



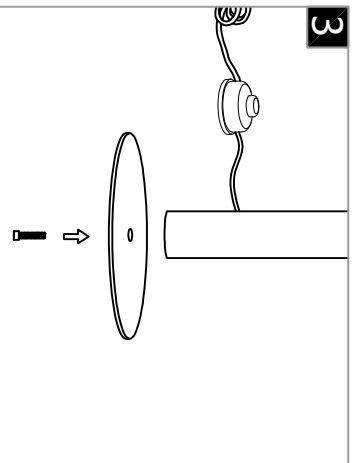
**1**

First, screw the connecting rod onto the lamp pole.



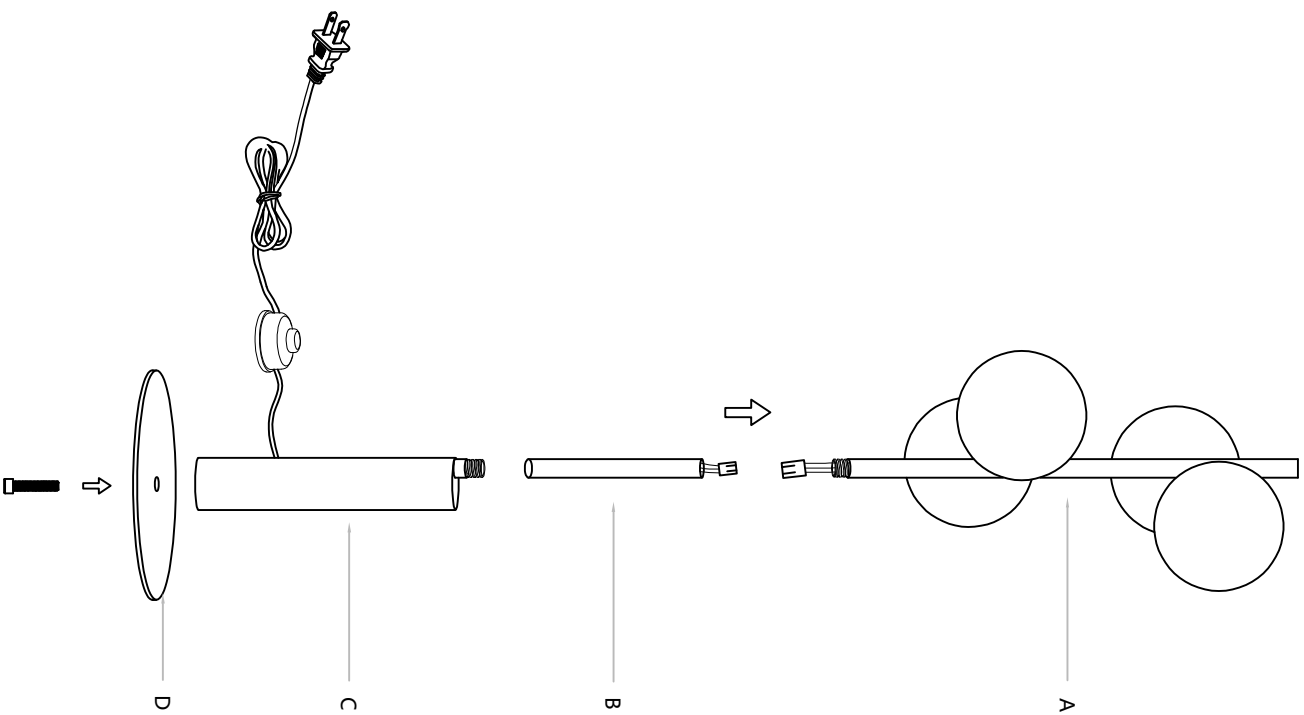
**2**

Then connect the plugs on the connecting rod and the lamp pole together, and then fix them together.



**3**

Finally, use screws to secure the base to the lamp.



First, screw the connecting rod (B) onto the lamp pole (C). Then connect the plugs on the connecting rod (B) and the lamp pole (A) on the lamp together. Next, fix them together. Finally, use screws to attach the base (D) to the lamp.