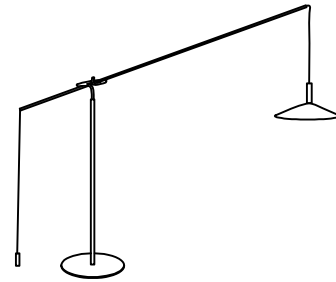
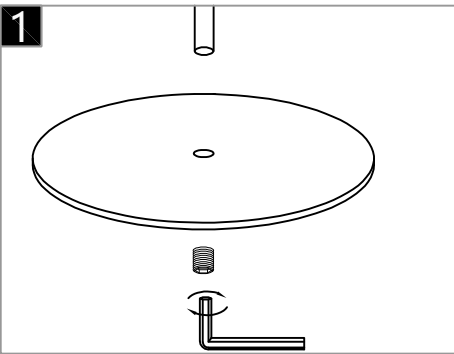


Warning:
 This product must be installed by personnel who are familiar with its structure and related hazards, in accordance with the installation specifications. This product is suitable for indoor installation.

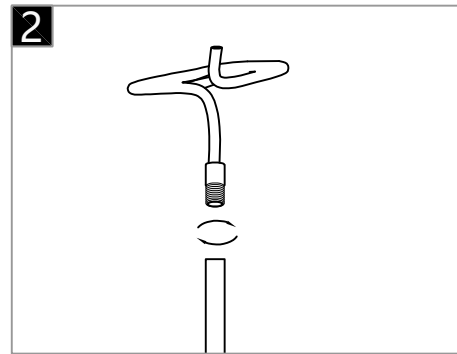


Product style diagram

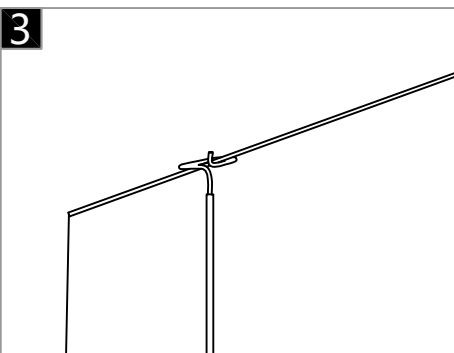
Steps of installation



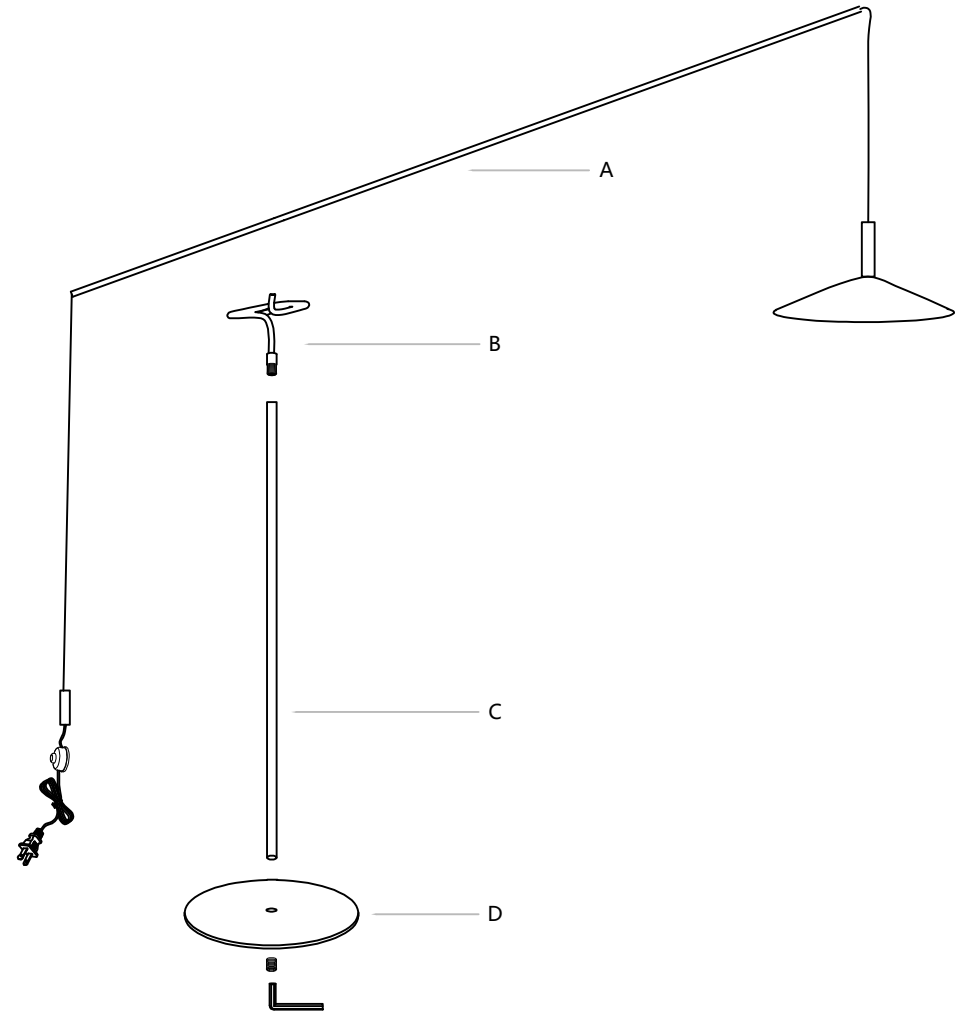
Install the threaded rod onto the base, then use a hexagonal wrench to tighten the nuts to secure them in place.



Then attach the hook to the threaded rod.



It would be best to install the lamp arm bracket onto the hook.



Install the threaded rod (C) onto the base (D), then use a hex wrench to tighten the nut to secure them. Next, screw the hook (B) onto the threaded rod (C), and then install the lamp arm bracket (A) onto the hook (B).