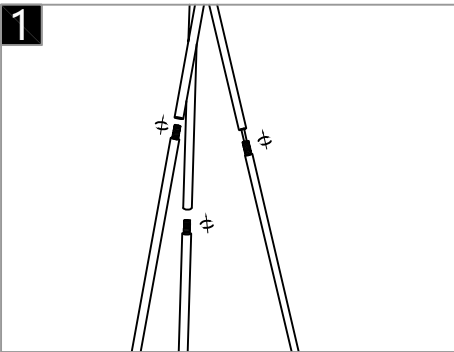


**Warning:**  
 This product must be installed by personnel who are familiar with its structure and related hazards, in accordance with the installation specifications. This product is suitable for indoor installation.

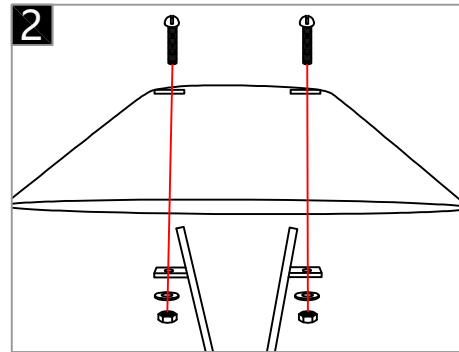


Product style diagram

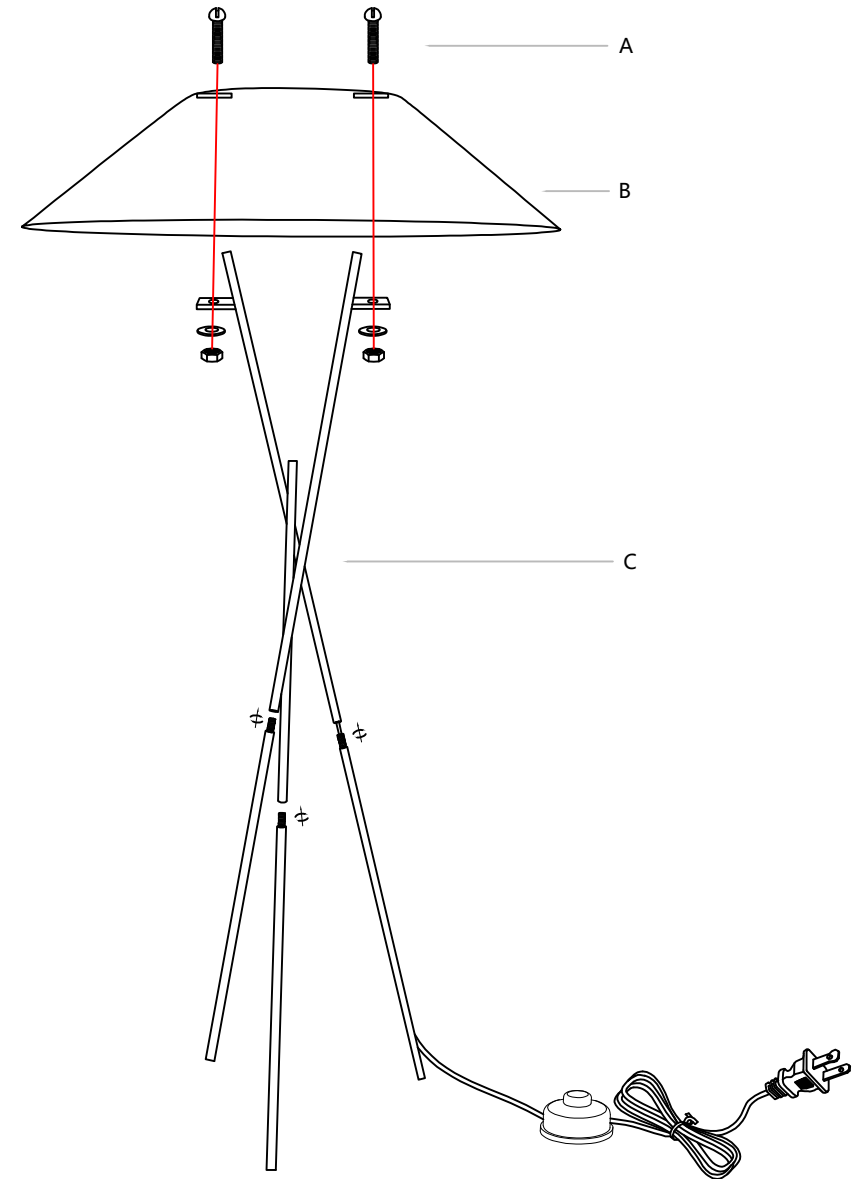
Steps of installation



Connect the lamp body connecting rods together



Install the lampshade onto the lamp body, and then tighten it with screws.



First, connect the lamp body connecting rods (C) together, then install the lampshade (B) onto the lamp body, and finally tighten it with screws (A).